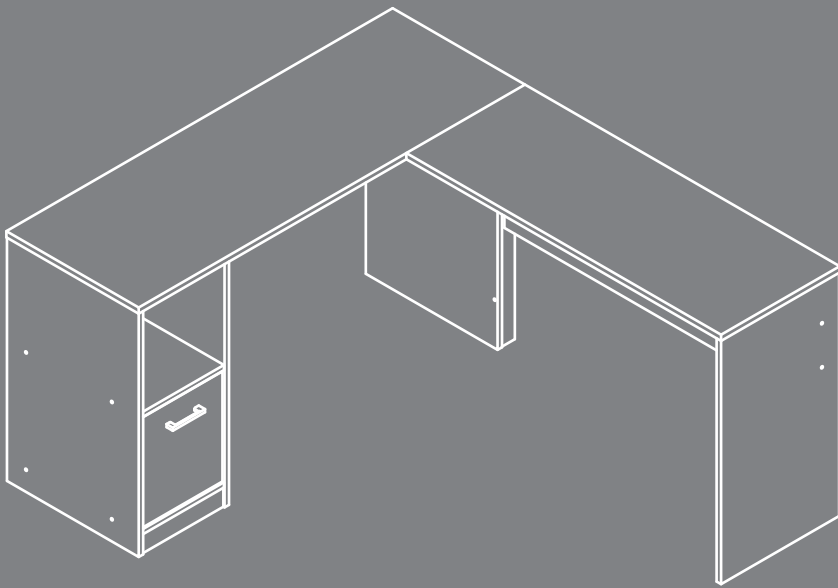


www.teknikoffice.co.uk

Teknik



For **all** your
newfangled **gadgetry**.

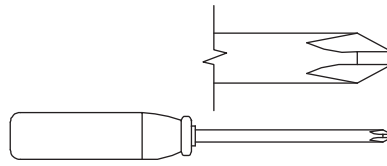
Essentials L-Shaped Desk

Model 5425092

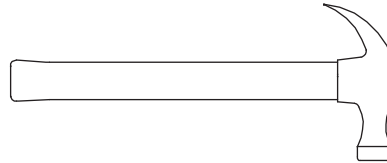
Table of Contents

Assembly Tools Required

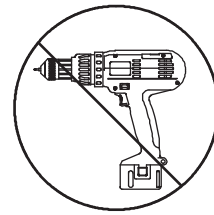
Part Identification	3
Hardware Identification	4
Assembly Steps	5-26
Français	27-31
Español	32-36
Safety	37-38
Warranty	39



No. 2 Phillips Screwdriver
Tip Shown Actual Size



Hammer
Not actual size 😊



Skip the power trip.
This time.

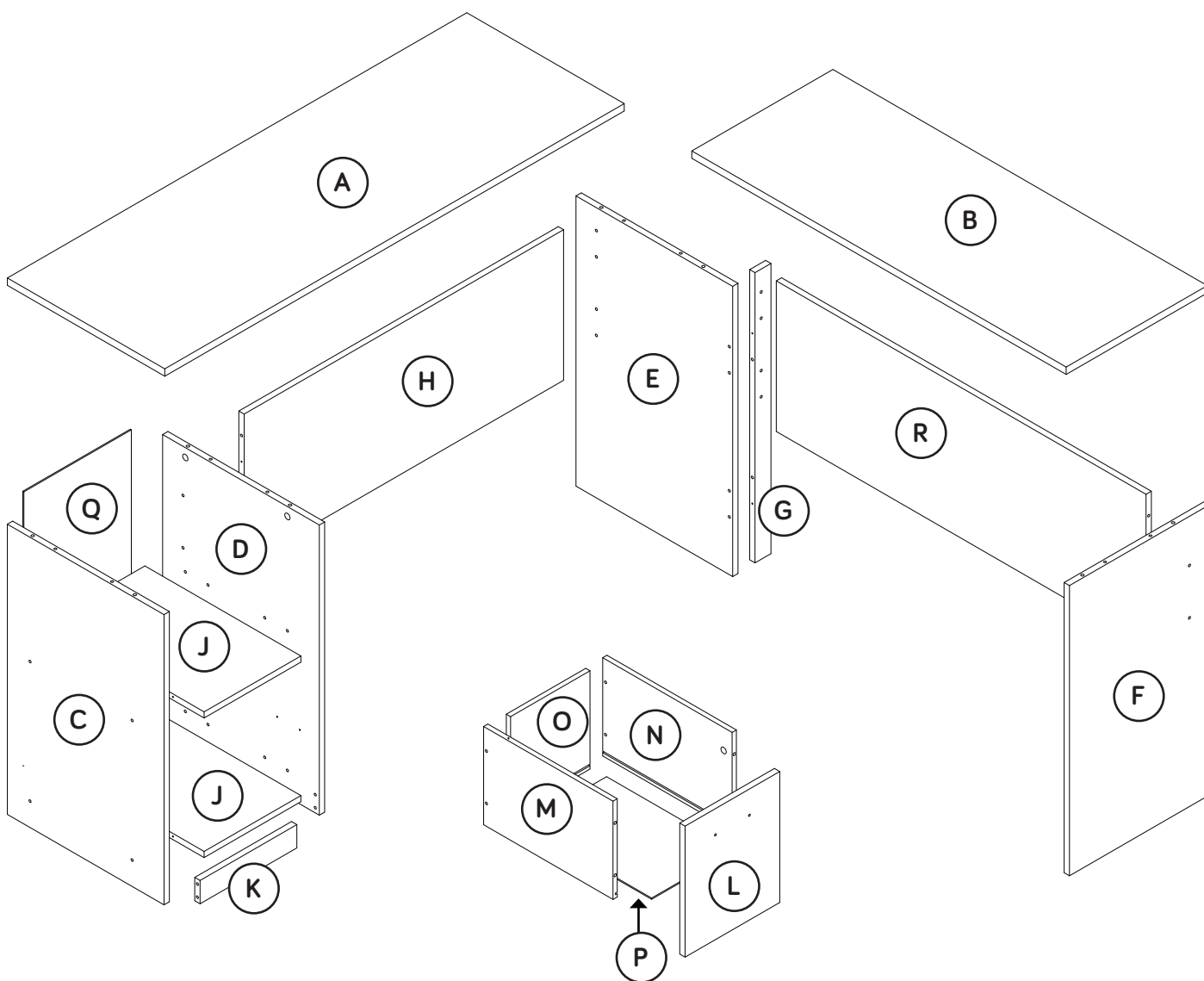
Part Identification

Now you know
our ABCs.



⚡ While not all parts are labeled, some of the parts will have a label or an inked letter on the edge to help distinguish similar parts from each other. Use this part identification to help identify similar parts.

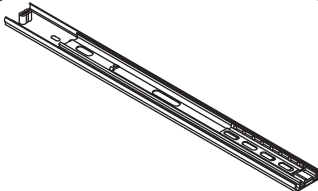
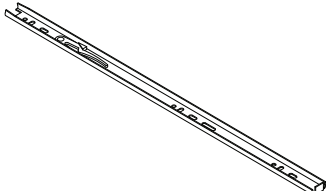


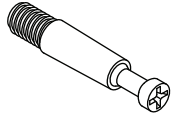
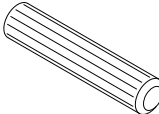
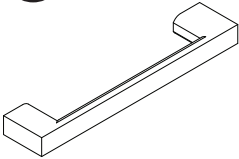
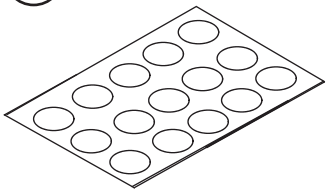
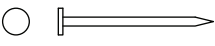
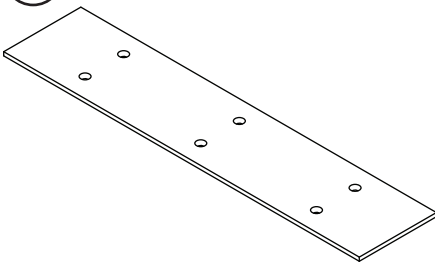
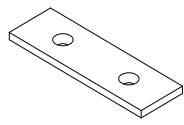
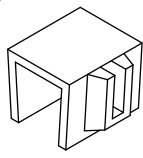
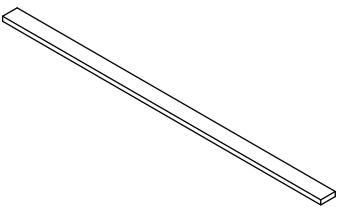
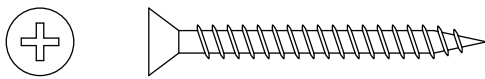
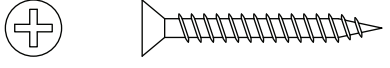
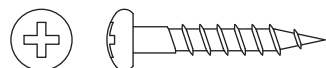

A	LARGE TOP (1)	G	MOLDING (1)	N	RIGHT DRAWER SIDE (1)
B	SMALL TOP (1)	H	SMALL MODESTY PANEL (1)	O	DRAWER BACK (1)
C	LEFT END (1)	J	FIXED SHELF (2)	P	DRAWER BOTTOM (1)
D	LEFT UPRIGHT (1)	K	SKIRT (1)	Q	BACK (1)
E	RIGHT UPRIGHT (1)	L	DRAWER FRONT (1)	R	LARGE MODESTY PANEL (1)
F	RIGHT END (1)	M	LEFT DRAWER SIDE (1)		



Hardware Identification

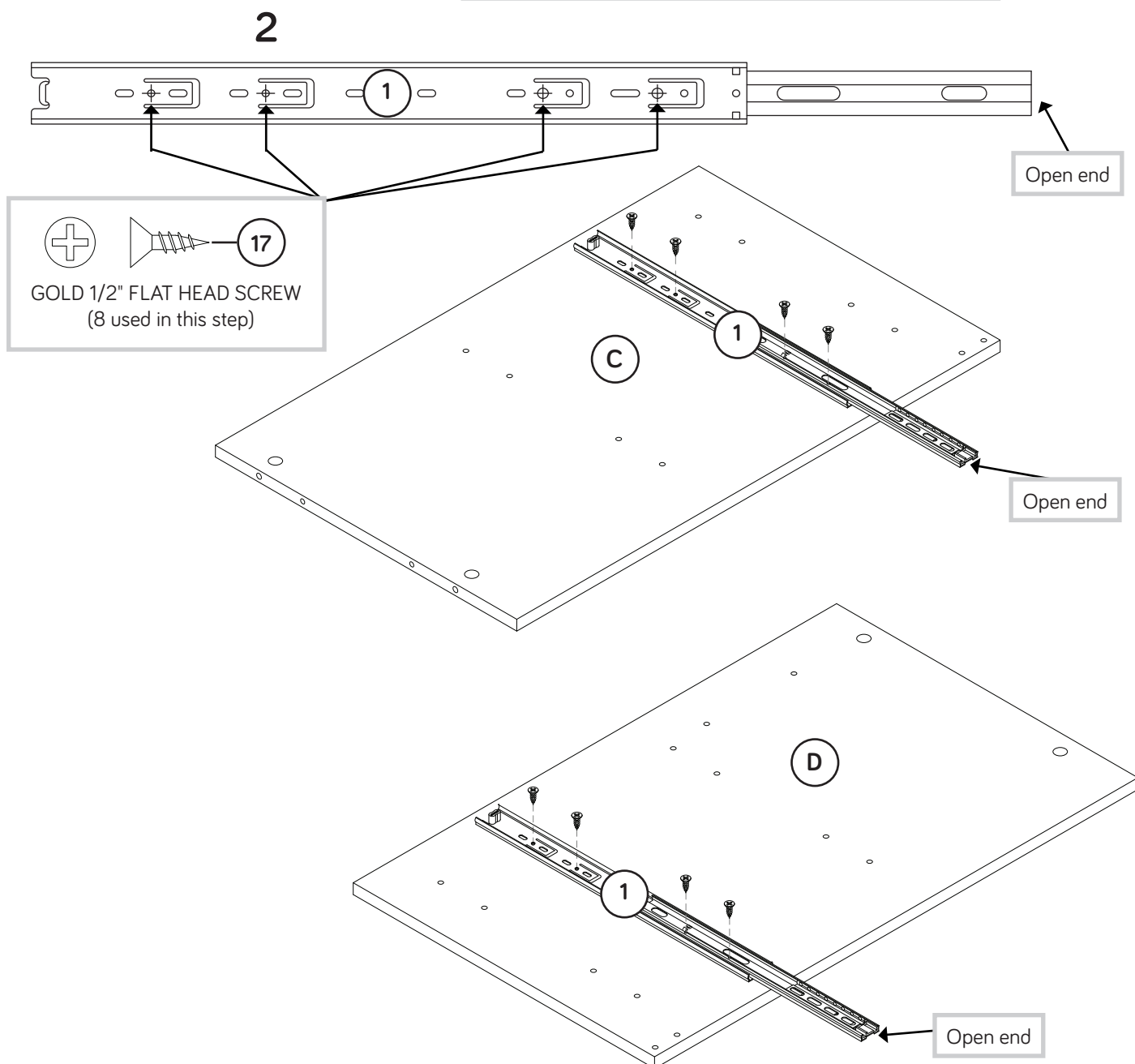
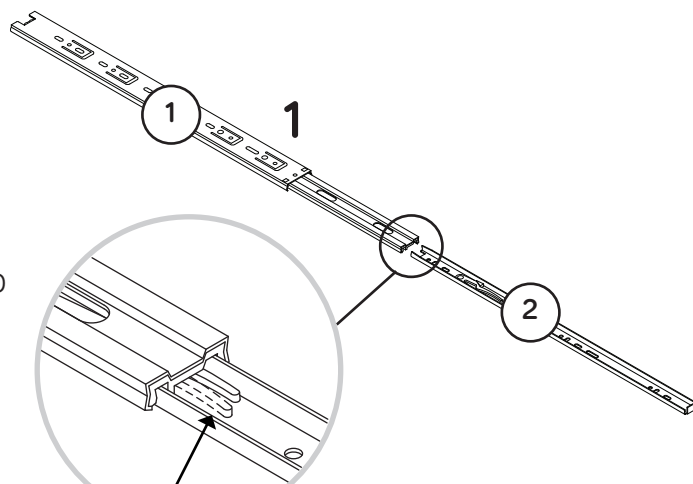
† Screws are shown actual size. You may receive extra hardware with your unit.

(EXTENSION SET SHOWN SEPARATED)

- | | | | |
|---|--|---|--|
| <p>1 EXTENSION RAIL - 2</p>  | <p>2 EXTENSION SLIDE - 2</p>  | <p>3 LARGE HIDDEN CAM - 8</p>  | <p>4 SMALL HIDDEN CAM - 4</p>  |
| <p>5 CAM SCREW - 12</p>  | <p>6 WOOD DOWEL - 30</p>  | <p>7 PULL - 1</p>  | |
| <p>8 APPLIQUE CARD - 2</p>  | <p>9 NAIL - 18</p>  | <p>10 METAL PLATE - 1</p>  | |
| <p>11 TIE PLATE - 1</p>  | <p>12 BRACKET - 4</p>  | <p>13 FILE BAR - 2</p>  | |
| <p>14 GOLD 1-3/4" FLAT HEAD SCREW - 18</p>  | <p>15 GOLD 1-1/4" FLAT HEAD SCREW - 4</p>  | | |
| <p>16 SILVER 15/16" PAN HEAD SCREW - 2</p>  | <p>17 GOLD 1/2" FLAT HEAD SCREW - 22</p>  | | |

Step 1

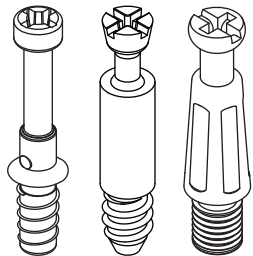
- Assemble your unit on a carpeted floor or on the empty carton to avoid scratching your unit or the floor.
- Separate the EXTENSION SLIDES (2) from the EXTENSION RAILS (1) as shown in diagram 1. Be prepared, the parts are greasy.
- Fasten the EXTENSION RAILS (1) to the LEFT END (C), and LEFT UPRIGHT (D). Use eight GOLD 1/2" FLAT HEAD SCREWS (17) through the holes shown in diagram 2.
- NOTE:** The EXTENSION SLIDES will be used later for the DRAWERS.



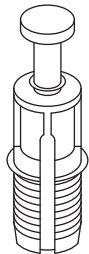
Hardware Usage Guide

HOW TO USE A HIDDEN CAM & CAM SCREW OR CAM DOWEL

1. NOTE: Various CAM SCREWS or a CAM DOWEL may be used.

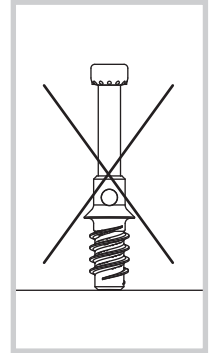
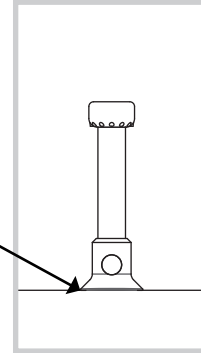


Cam Screws

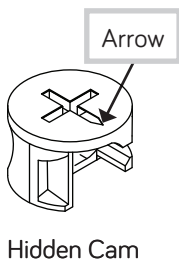


Cam Dowel

Turn the CAM SCREW or gently tap the CAM DOWEL until the shoulder is against the surface of the part.

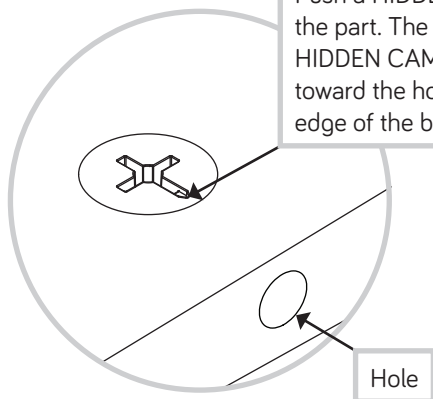


2.



Arrow

Hidden Cam

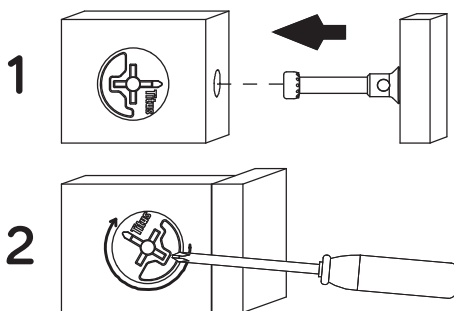


Push a HIDDEN CAM into the part. The arrow in the HIDDEN CAM must point toward the hole in the edge of the board.

Hole

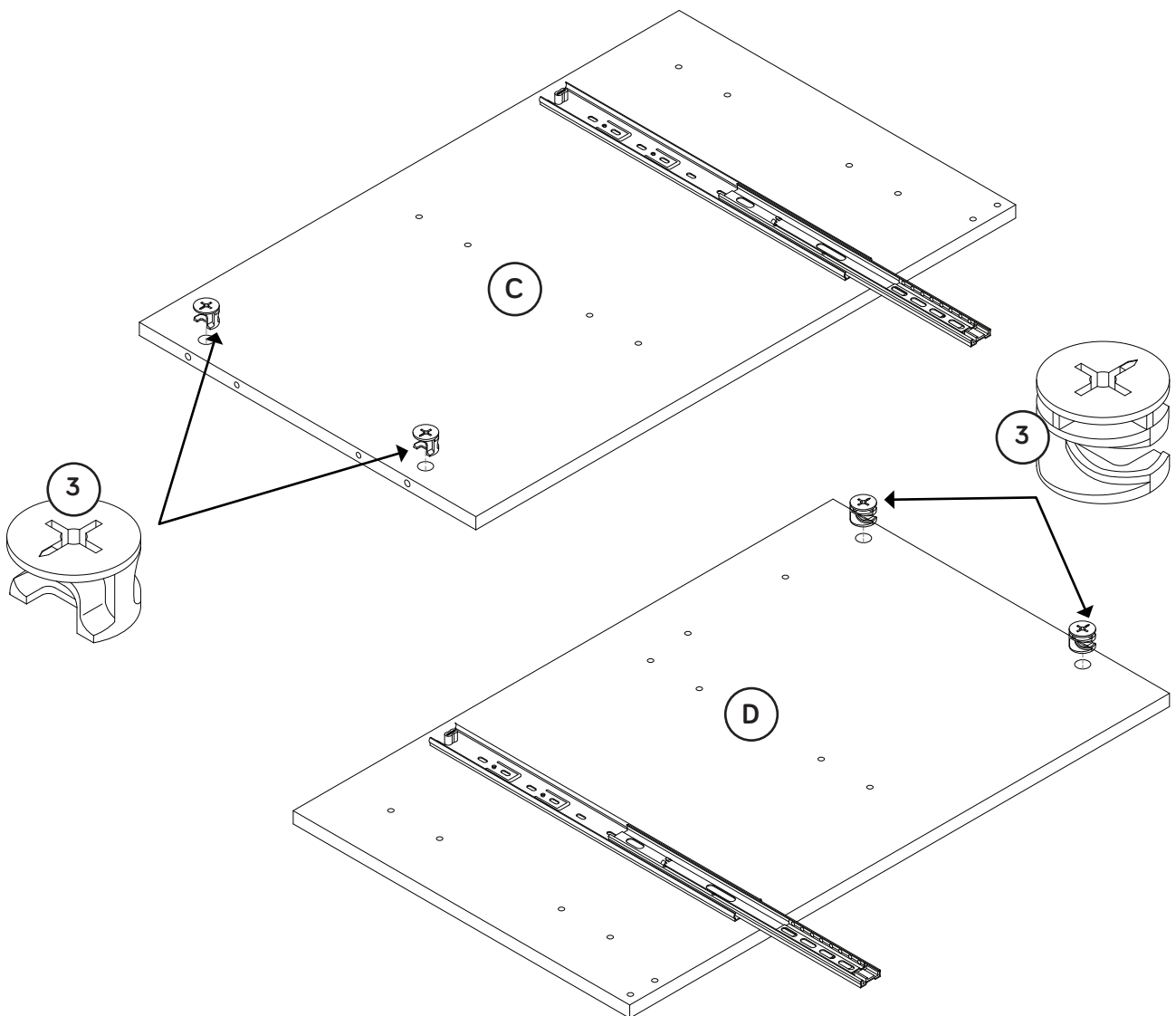
3.

Insert the CAM SCREW or CAM DOWEL into the HIDDEN CAM. Tighten the HIDDEN CAM.



Step 2

- Push four LARGE HIDDEN CAMS (3) into the large holes in the LEFT END (C) and LEFT UPRIGHT (D).

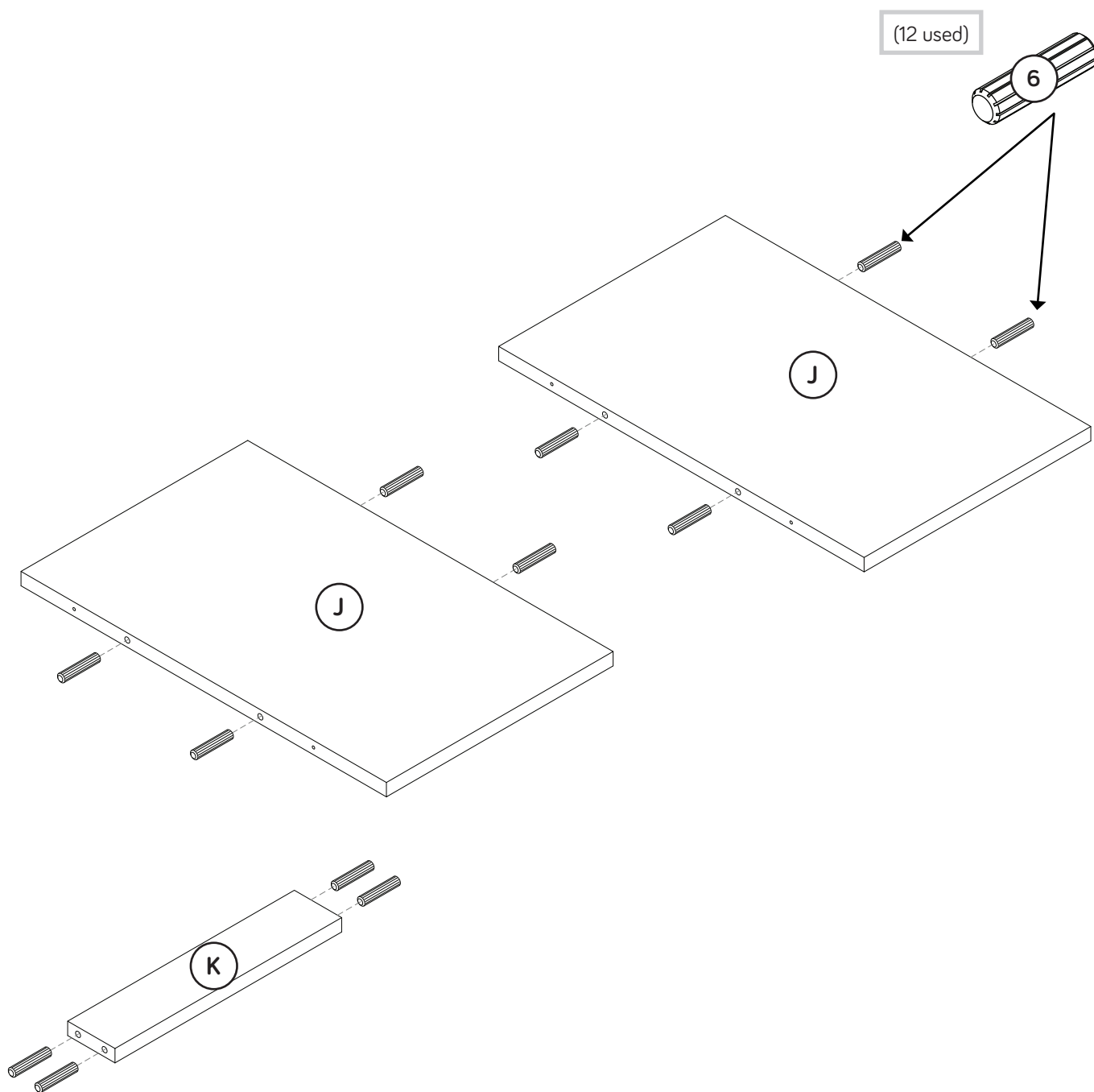


Step 3

✚ Insert twelve WOOD DOWELS (6) into the FIXED SHELVES (J) and SKIRT (K).



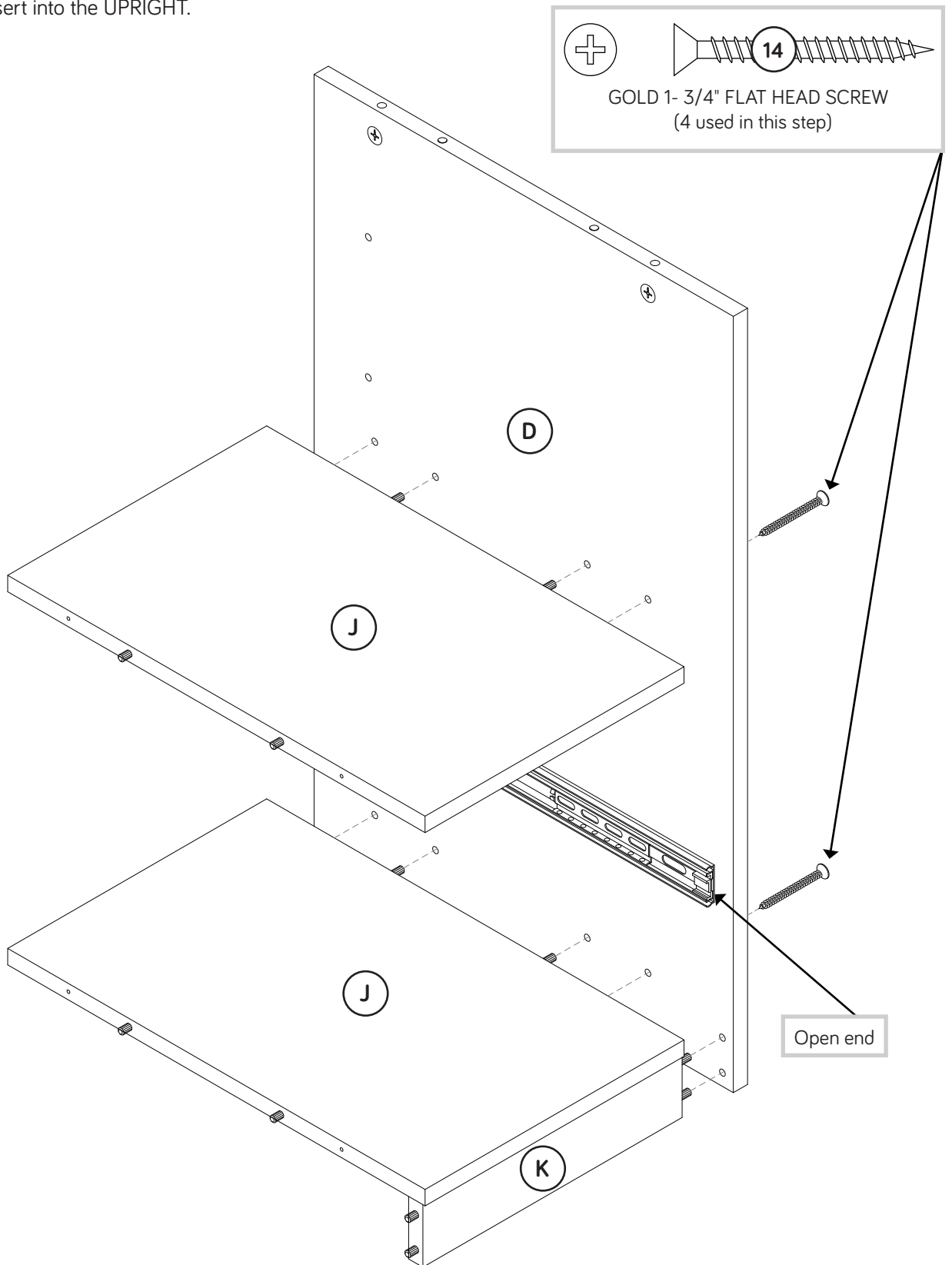
Just think. The sooner you do this, the sooner you do something else.



Step 4

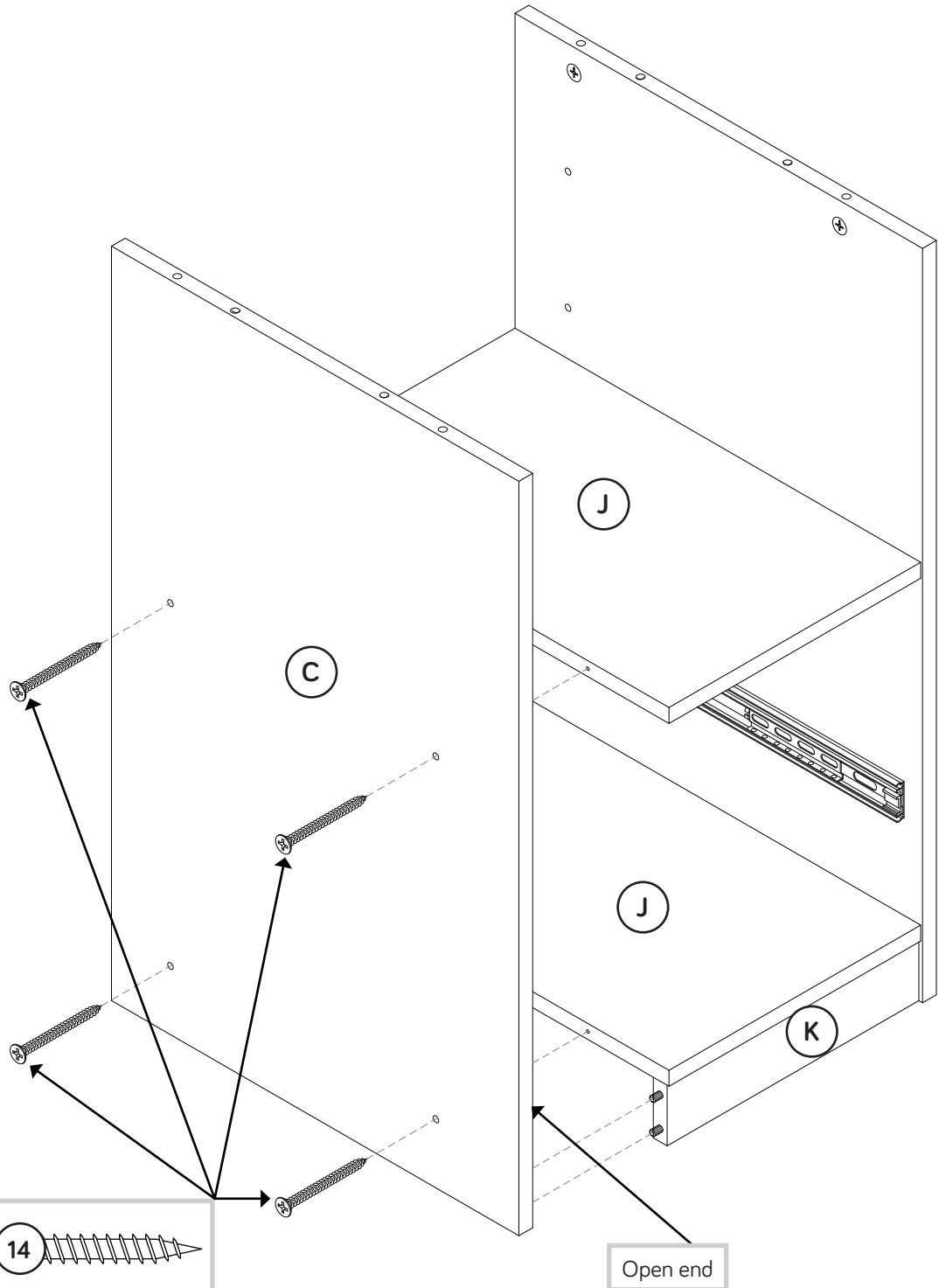
Fasten the FIXED SHELVES (J) and SKIRT (K) to the LEFT UPRIGHT (D). Use four GOLD 1-3/4" FLAT HEAD SCREWS (14).


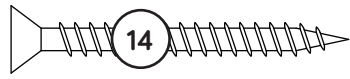
NOTE: Be sure the WOOD DOWELS in the SHELVES and SKIRT insert into the UPRIGHT.



Step 5

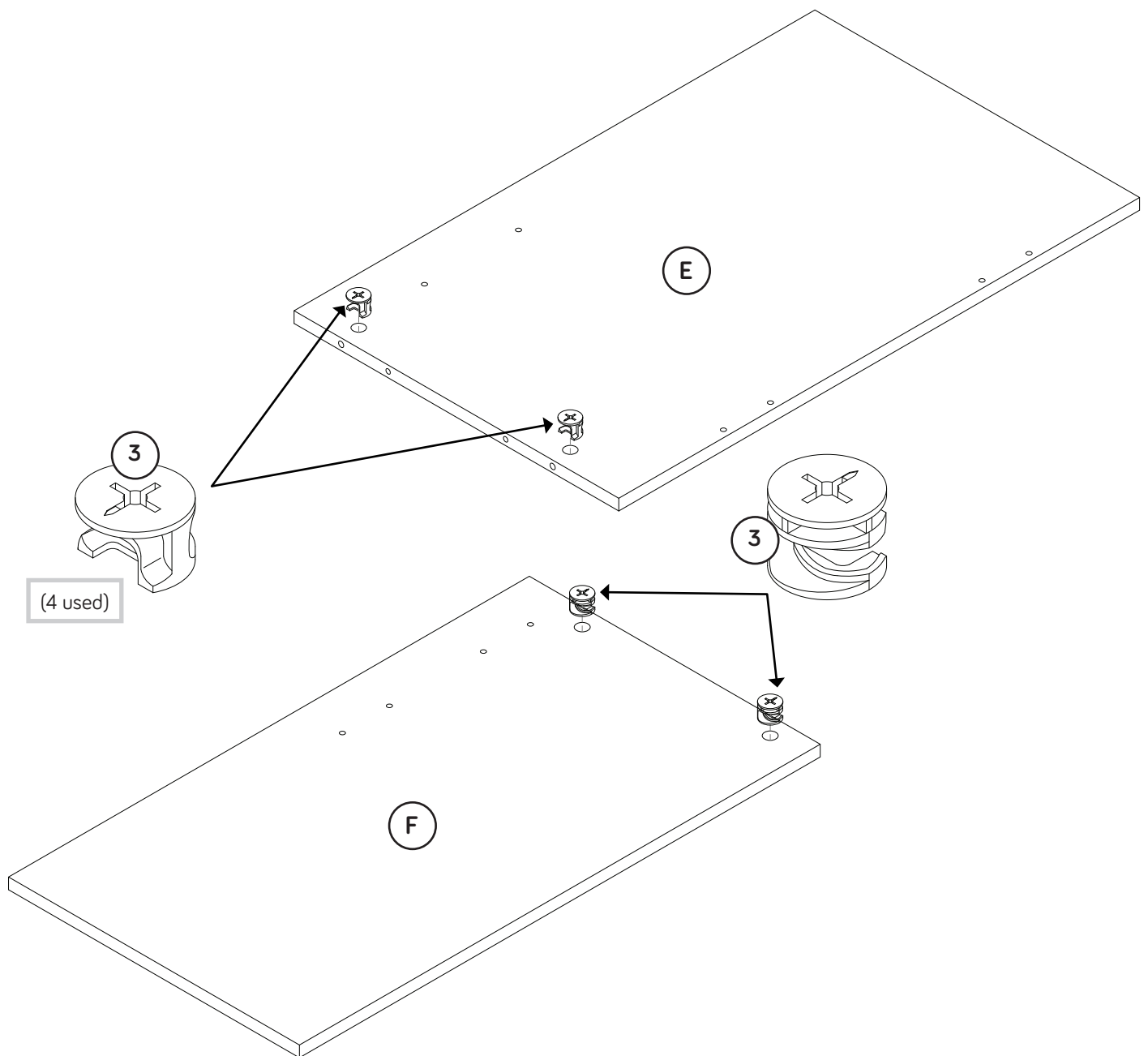
- Fasten the LEFT END (C) to the FIXED SHELVES (J) and SKIRT (K). Use four GOLD 1-3/4" FLAT HEAD SCREWS (14).
- NOTE:** Be sure the WOOD DOWELS in the SHELVES and SKIRT insert into the UPRIGHT.



  14
GOLD 1- 3/4" FLAT HEAD SCREW
(4 used in this step)

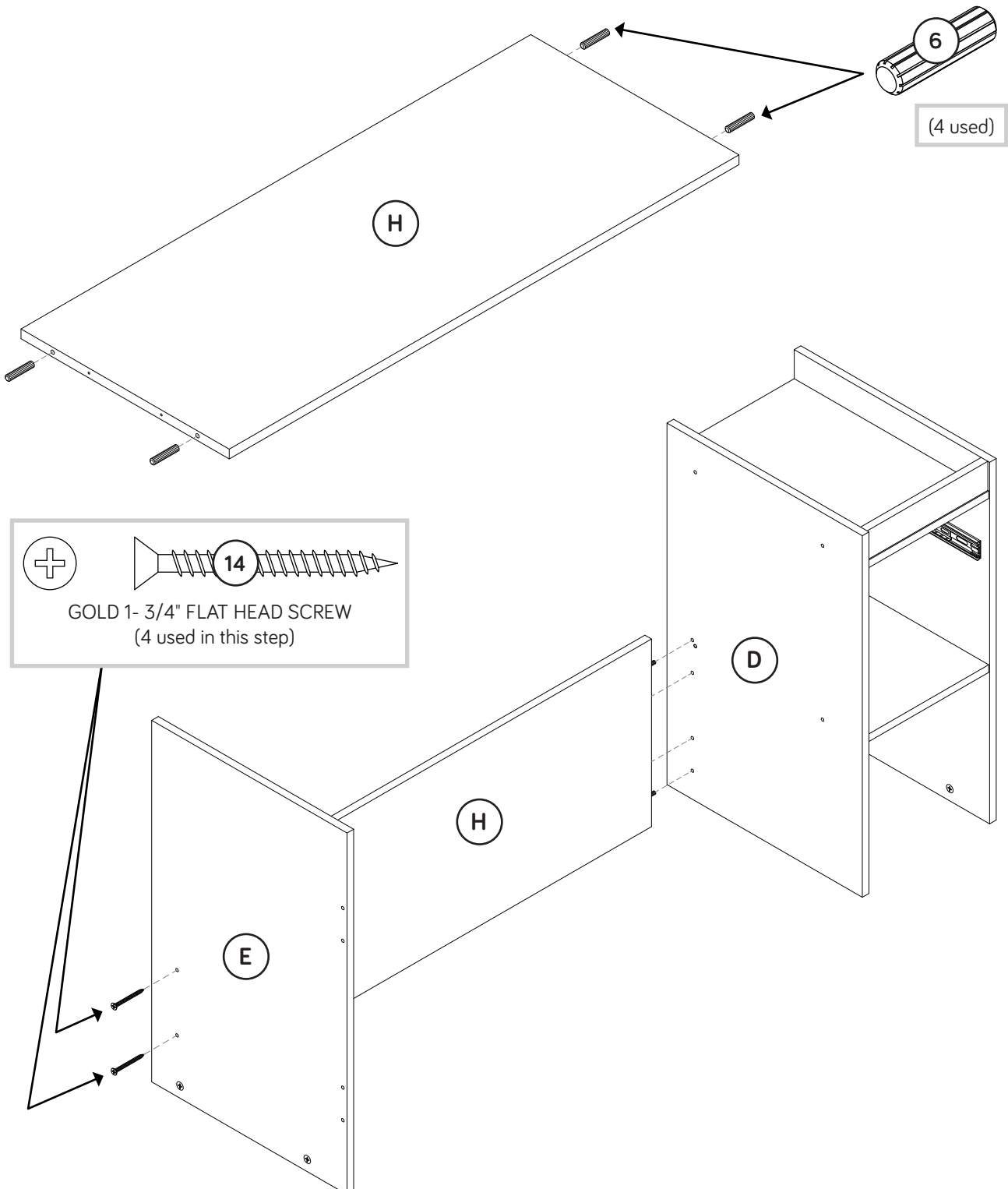
Step 6

- Push four LARGE HIDDEN CAMS (3) into the large holes in the RIGHT UPRIGHT (E) and RIGHT END (F).



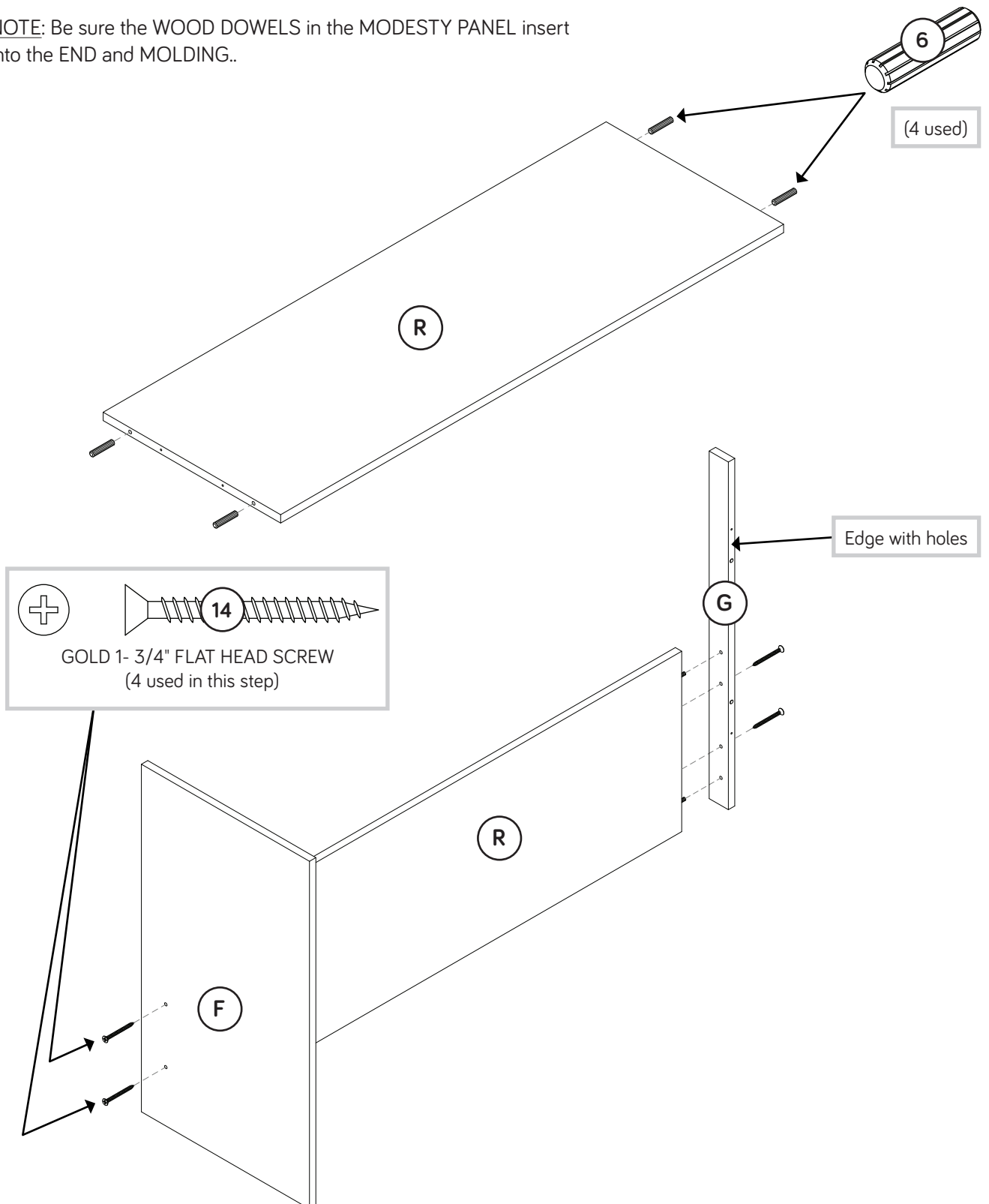
Step 7

- ✚ Insert four WOOD DOWELS (6) into the SMALL MODESTY PANEL (H).
- ✚ Fasten the SMALL MODESTY PANEL (H) to the LEFT UPRIGHT (D). Use two GOLD 1- 3/4" FLAT HEAD SCREWS (14).
- ✚ Fasten the RIGHT UPRIGHT (E) to the SMALL MODESTY PANEL (H). Use two GOLD 1- 3/4" FLAT HEAD SCREWS (14).
- ✚ NOTE: Be sure the WOOD DOWELS in the MODESTY PANEL insert into the UPRIGHTS.



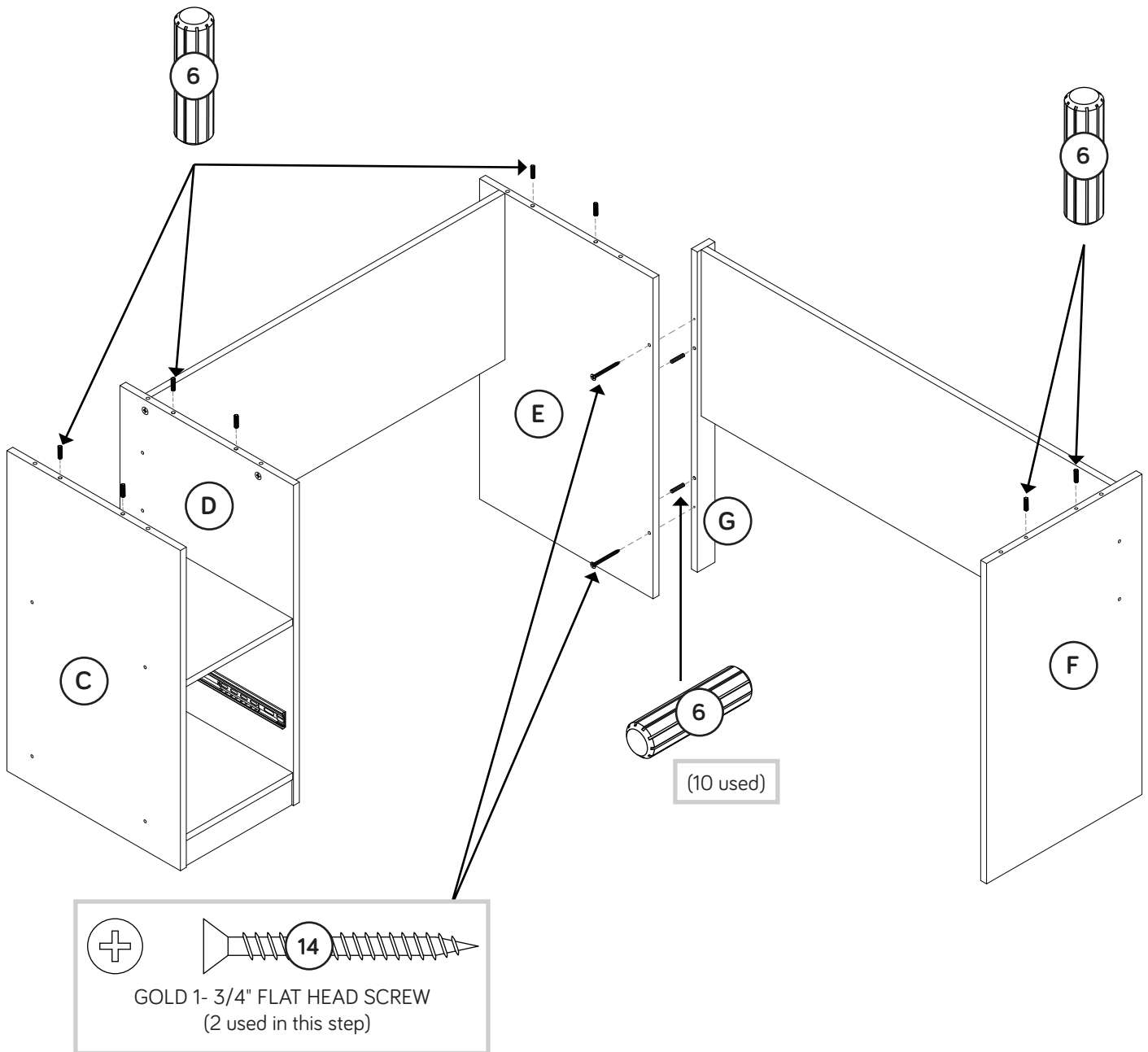
Step 8

- ✚ Insert four WOOD DOWELS (6) into the LARGE MODESTY PANEL (R).
- ✚ Fasten the LARGE MODESTY PANEL (R) to the MOLDING (G). Use two GOLD 1- 3/4" FLAT HEAD SCREWS (14).
- ✚ Fasten the RIGHT END (F) to the LARGE MODESTY PANEL (R). Use two GOLD 1- 3/4" FLAT HEAD SCREWS (14).
- ✚ NOTE: Be sure the WOOD DOWELS in the MODESTY PANEL insert into the END and MOLDING..



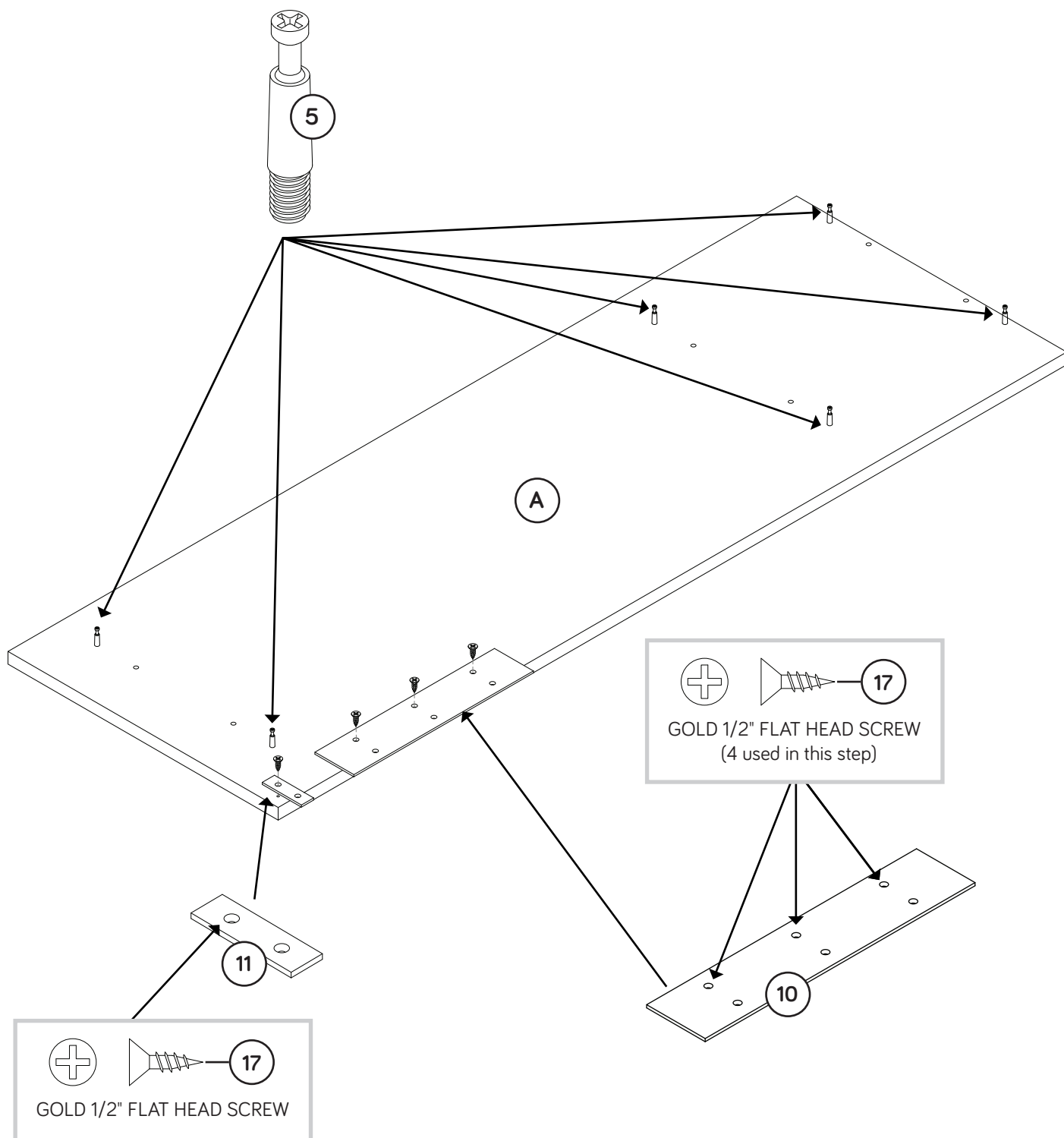
Step 9

- ✚ Carefully stand your two assemblies upright.
- ✚ Insert two WOOD DOWELS (6) into the MOLDING (G).
- ✚ Fasten the RIGHT UPRIGHT (E) to the MOLDING (G). Use two GOLD 1-3/4" FLAT HEAD SCREWS (14).
- ✚ NOTE: Be sure the WOOD DOWELS in the MOLDING insert into the RIGHT UPRIGHT.
- ✚ Insert eight WOOD DOWELS (6) into the ENDS (C and F) and UPRIGHTS (D and E).



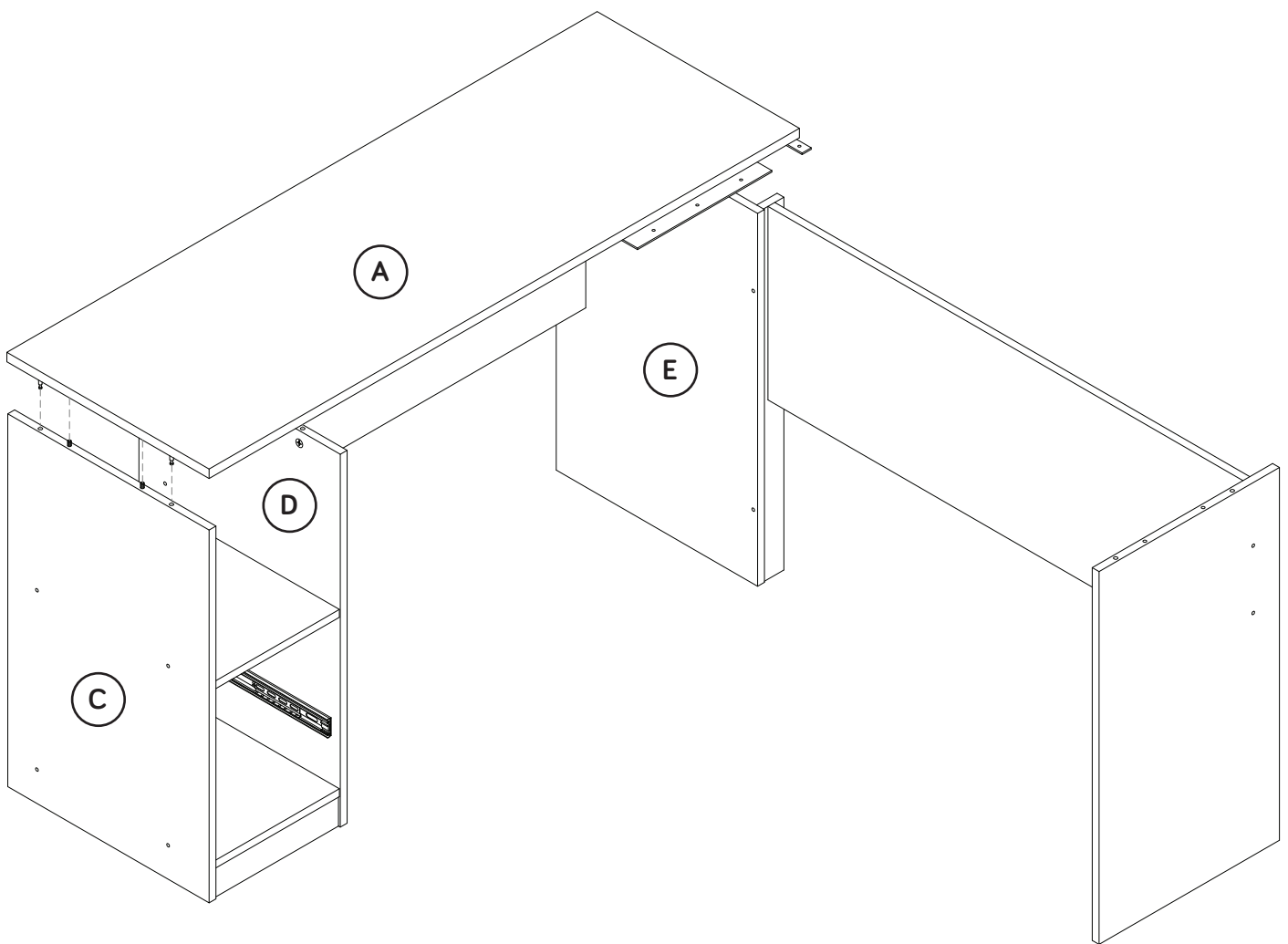
Step 10

- Turn six CAM SCREWS (5) into the LARGE TOP (A).
- Fasten the METAL PLATE (10) and TIE PLATE (11) to the TOP (A). Use four GOLD 1/2" FLAT HEAD SCREWS (17).



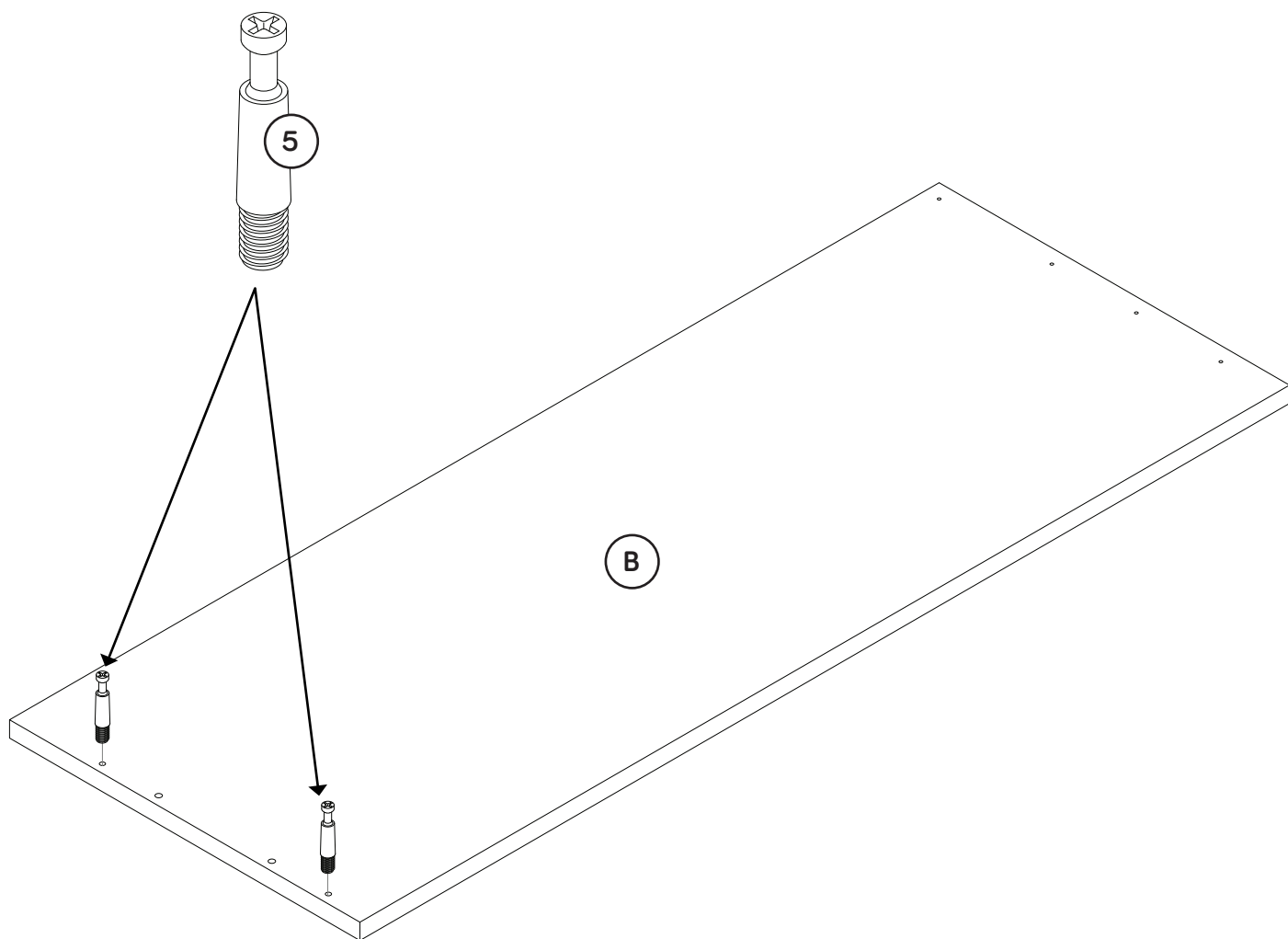
Step 11

- ✚ Fasten the TOP (A) to the LEFT END (C) and UPRIGHTS (D and E). Tighten six HIDDEN CAMS.
- ✚ NOTE: Be sure the WOOD DOWELS in the END and UPRIGHTS insert into the TOP.



Step 12

Turn two CAM SCREWS (5) into the SMALL TOP (B).

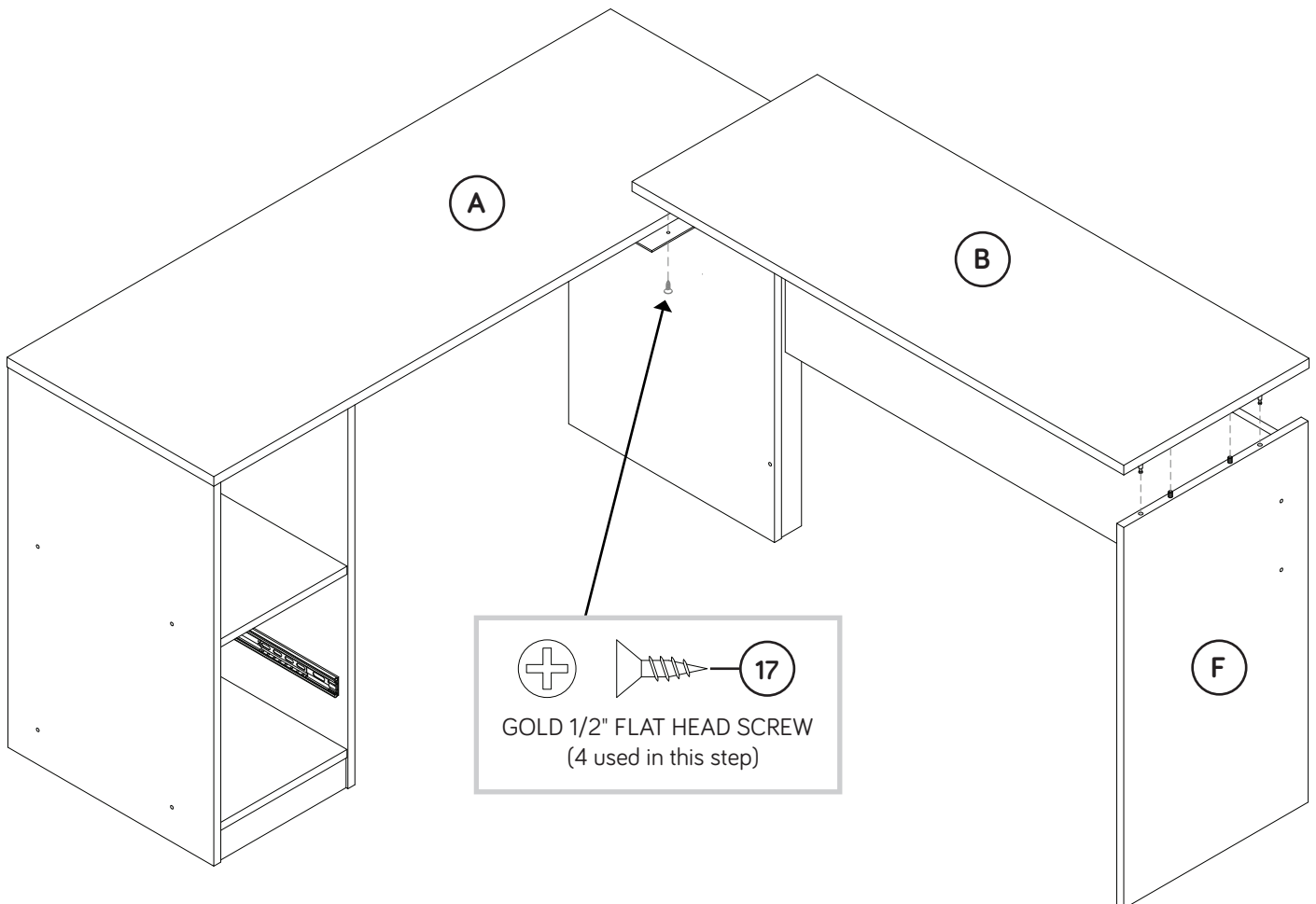


Step 13

- ✚ Fasten the SMALL TOP (B) to the RIGHT END (F). Tighten two HIDDEN CAMS.
- ✚ **NOTE:** Be sure the WOOD DOWELS in the END insert into the TOP.
- ✚ Fasten the SMALL TOP (B) to the LARGE TOP (A). Use four GOLD 1/2" FLAT HEAD SCREWS (17) through the METAL PLATES, TIE PLATES, and into the SMALL TOP.

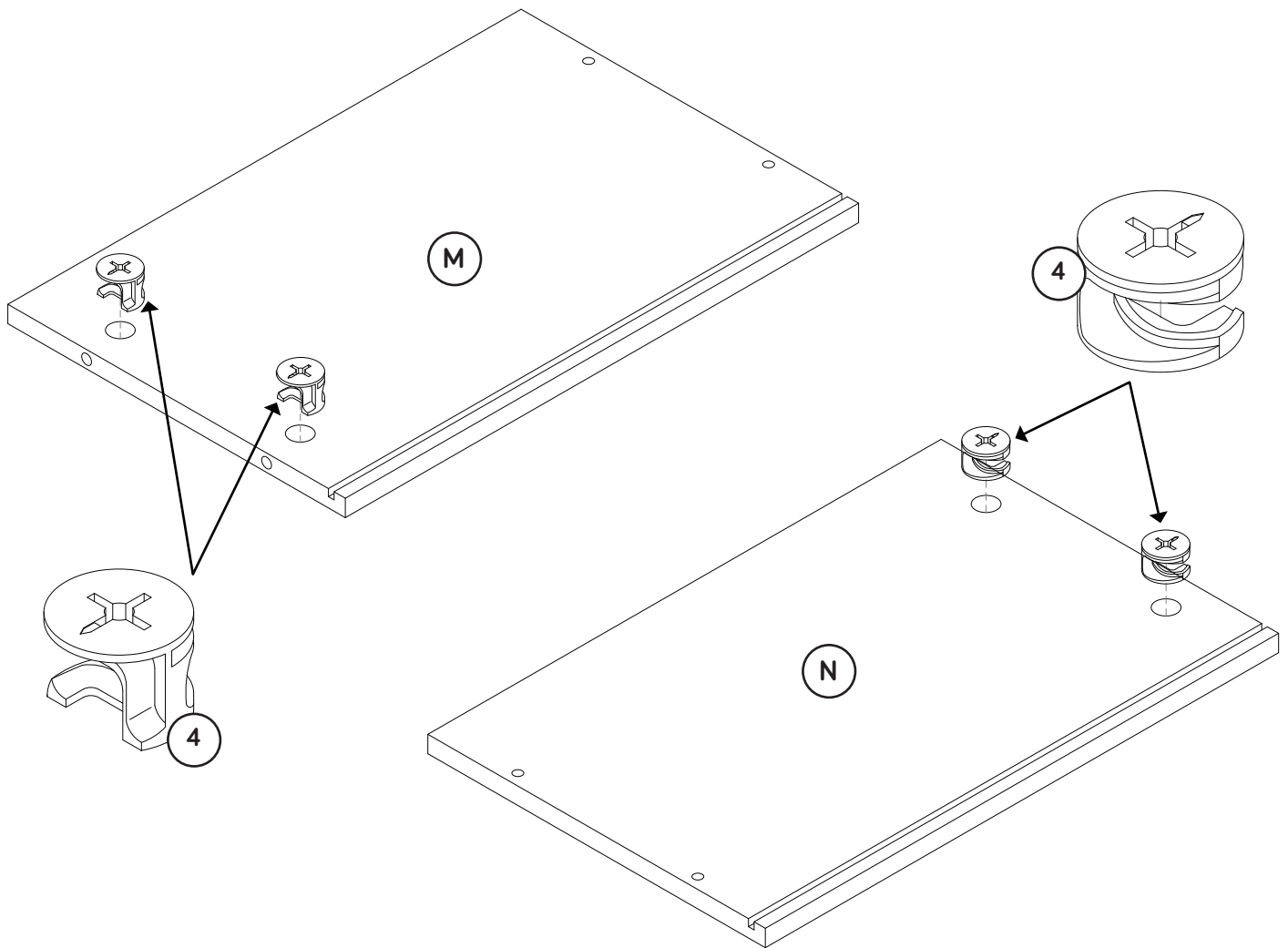


Now might be a good time to refresh your drink.



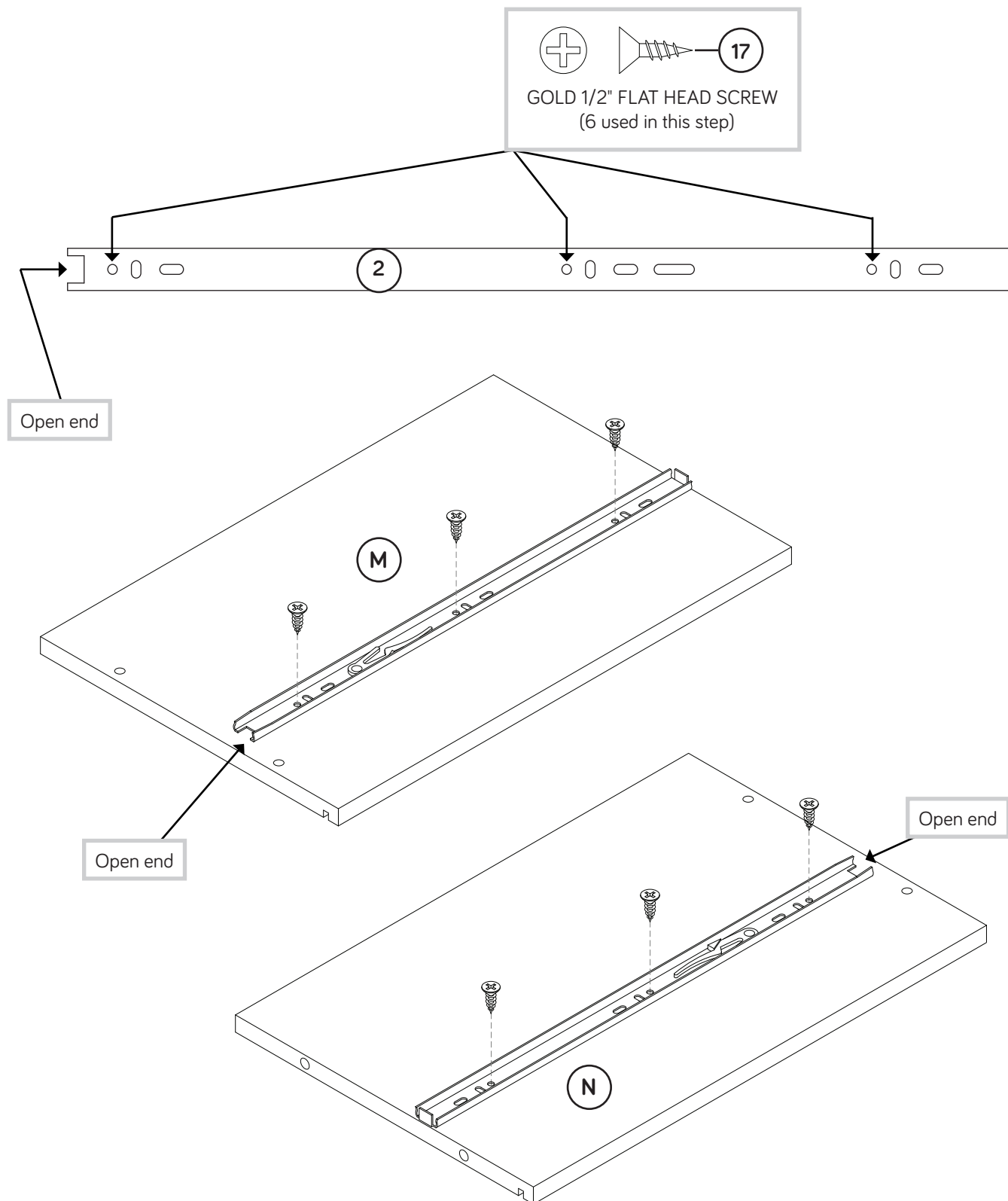
Step 14

- Push four SMALL HIDDEN CAMS (4) into the large holes in the DRAWER SIDES (M and N).



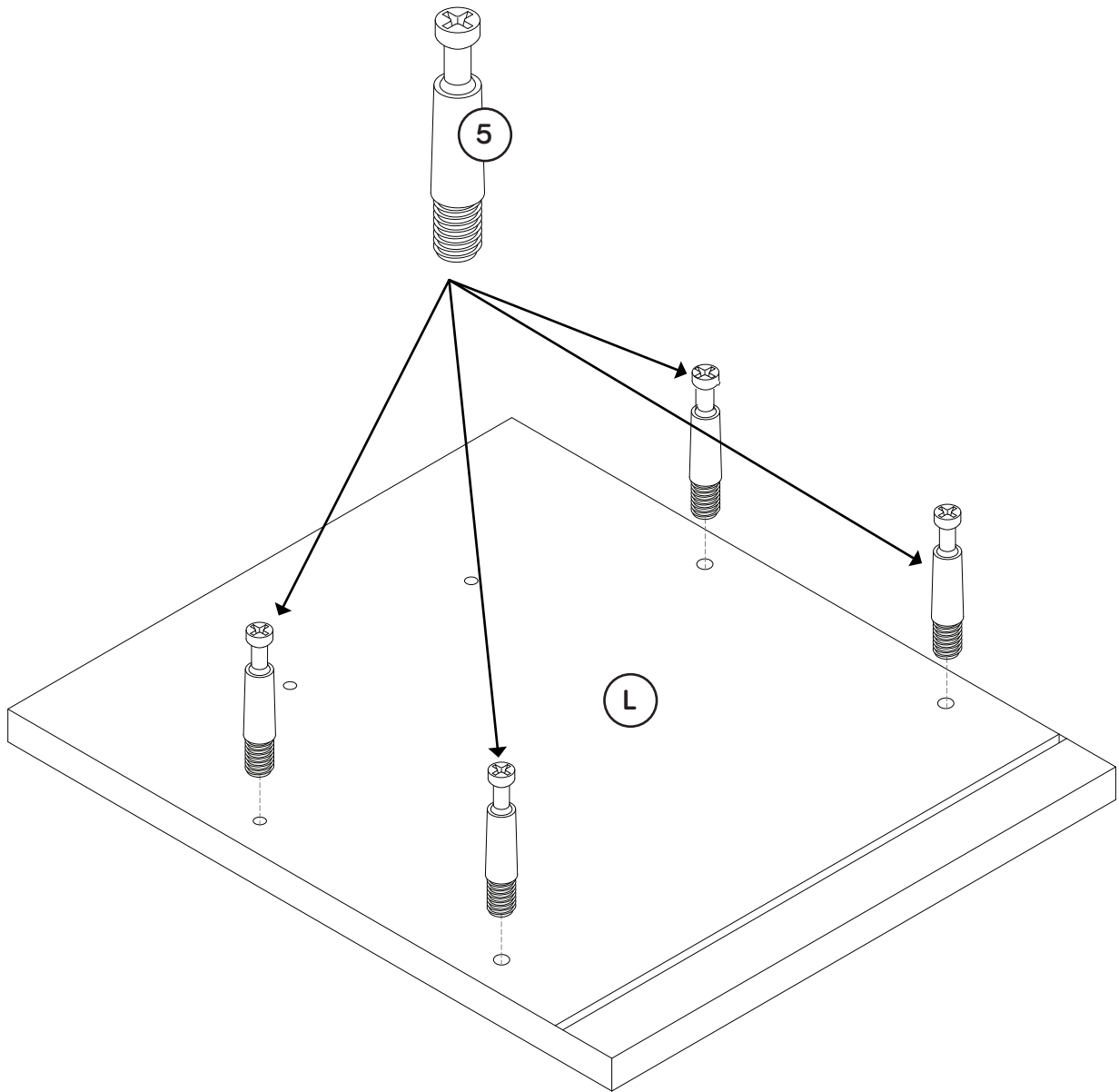
Step 15

- Fasten the EXTENSION SLIDES (2) to the DRAWER SIDES (M and N). Use six GOLD 1/2" FLAT HEAD SCREWS (17) through the holes shown in the enlarged diagram.

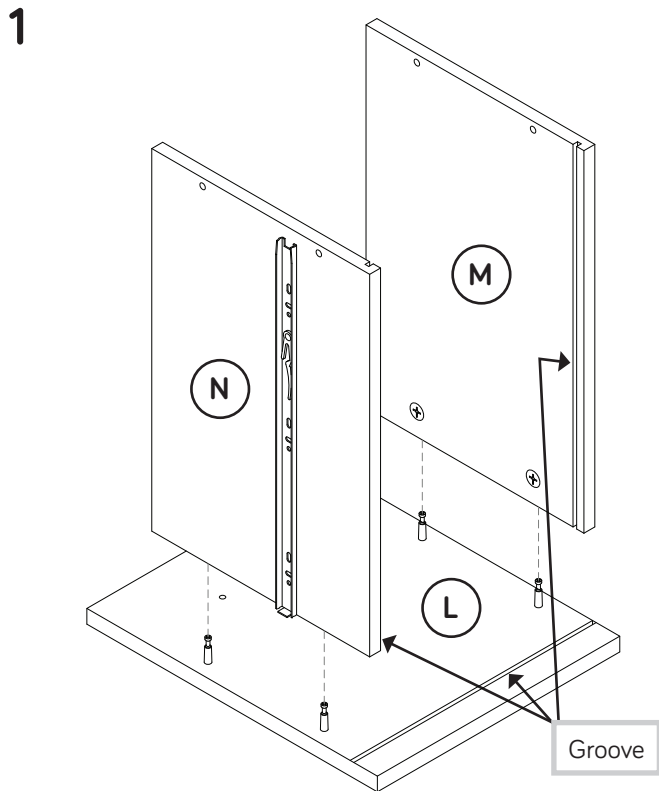


Step 16

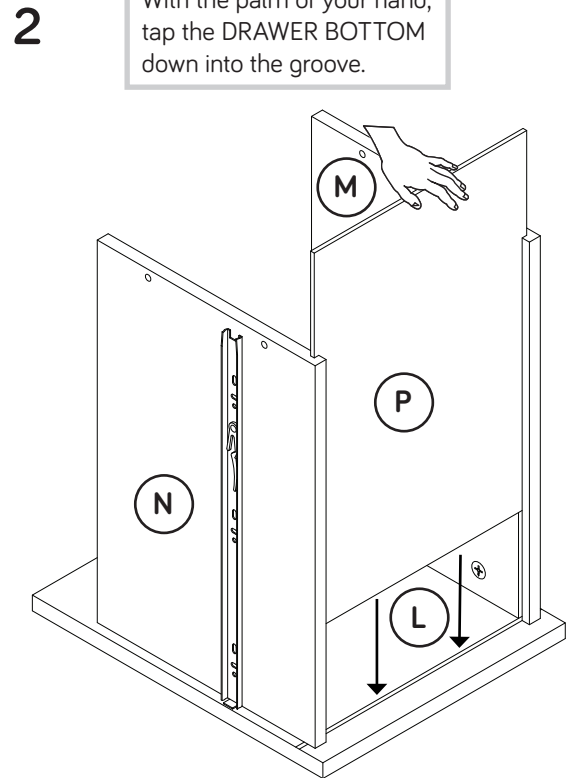
Turn four CAM SCREWS (5) into the DRAWER FRONT (L).



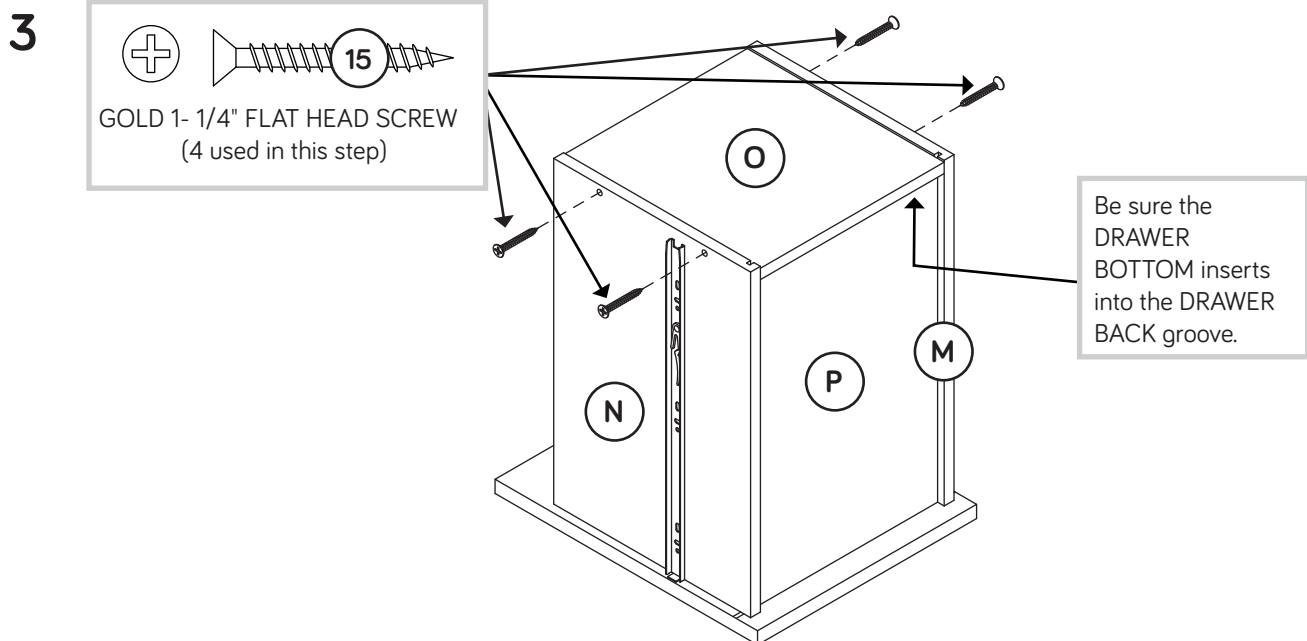
Step 17



Fasten the DRAWER SIDES (M and N) to the DRAWER FRONT (L). Tighten four SMALL HIDDEN CAMS.



Slide a DRAWER BOTTOM (P) into the grooves in the DRAWER SIDES (M and N) and DRAWER FRONT (L).

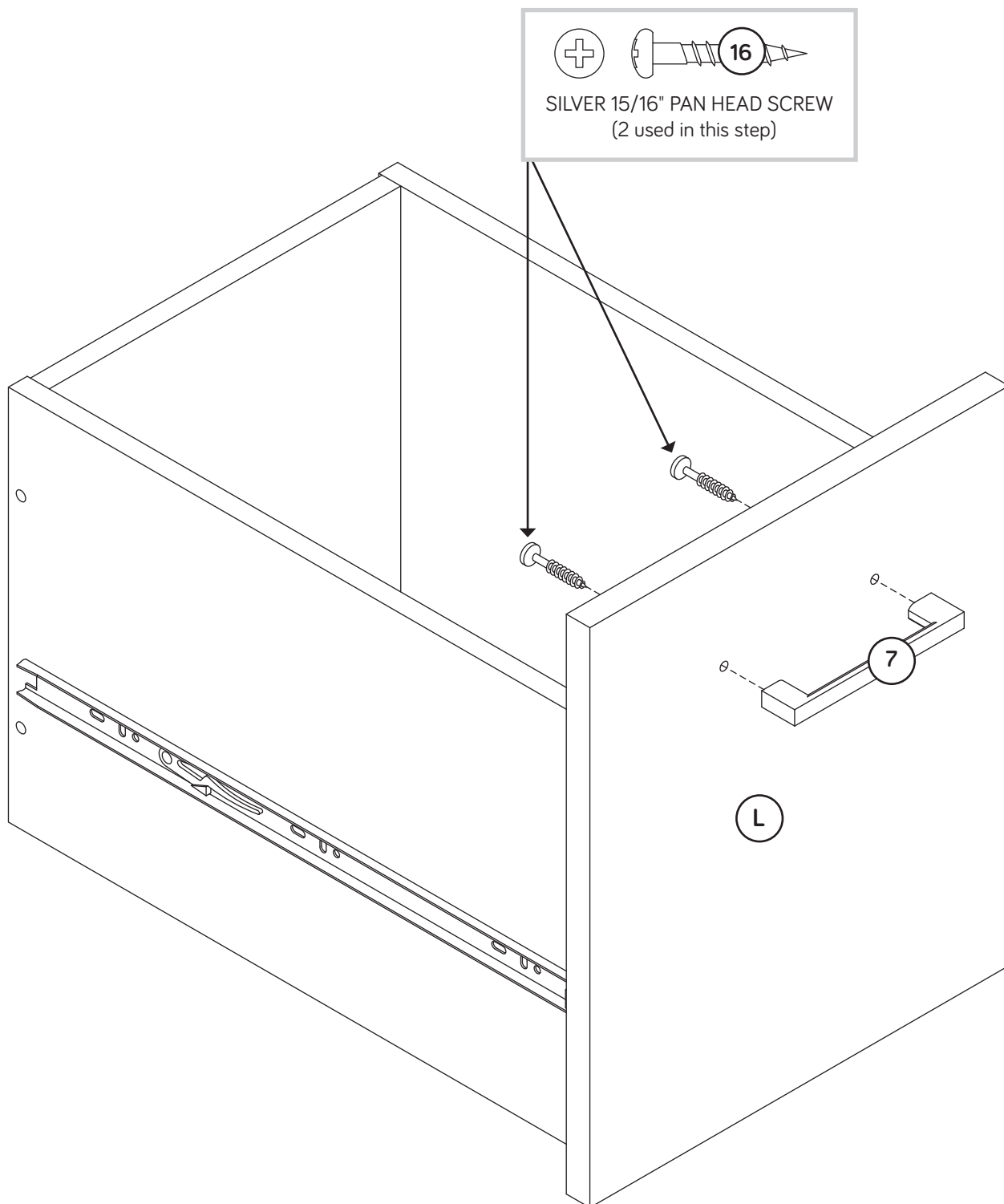


Fasten the DRAWER BACK (O) to the DRAWER SIDES (M and N). Use four GOLD 1-1/4" FLAT HEAD SCREWS (15).

NOTE: Be sure the DRAWER BOTTOM (P) inserts into the groove of the DRAWER BACK (O).

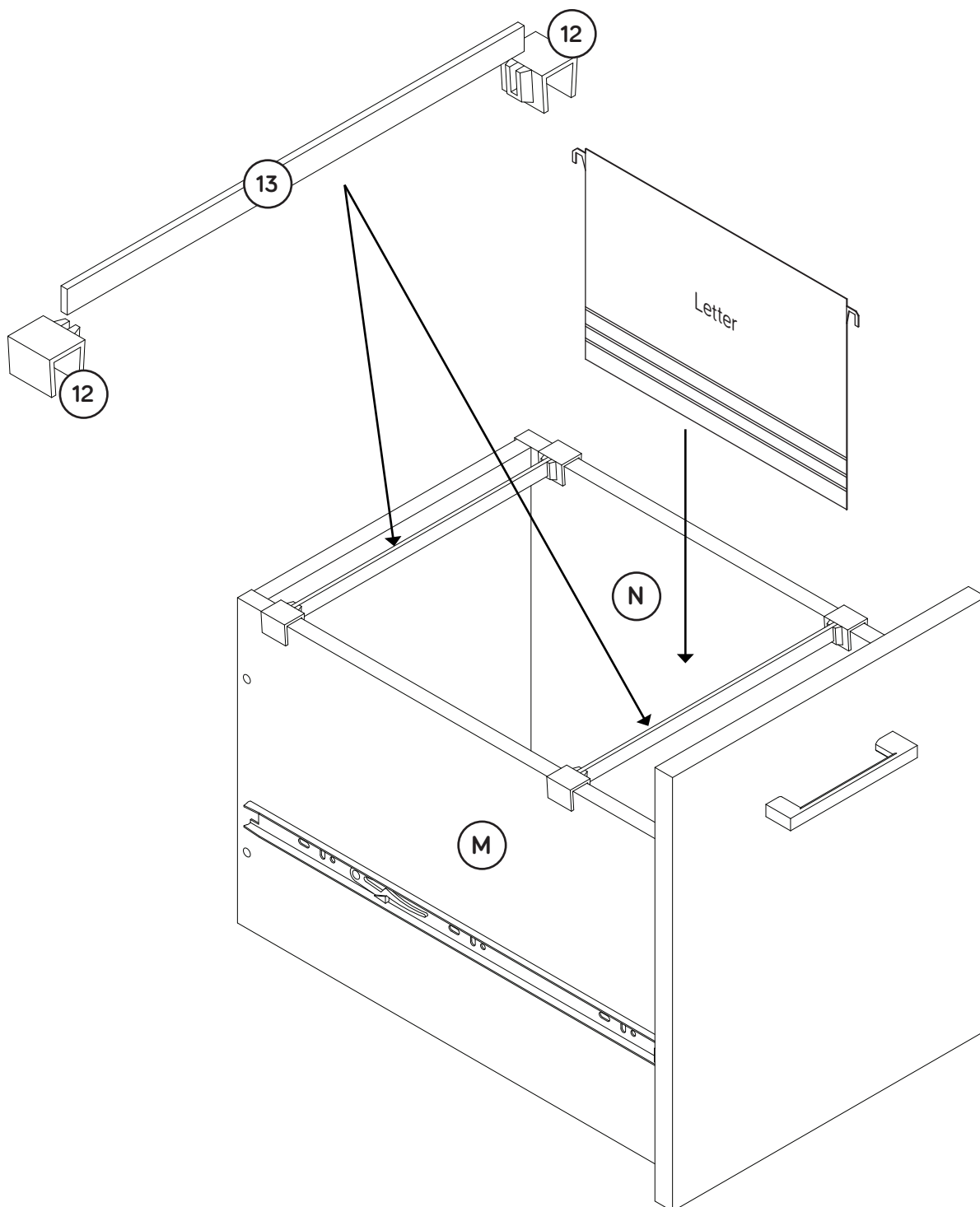
Step 18

- Fasten a PULL (7) to the DRAWER FRONT (L). Use two SILVER 15/16" PAN HEAD SCREWS (16).



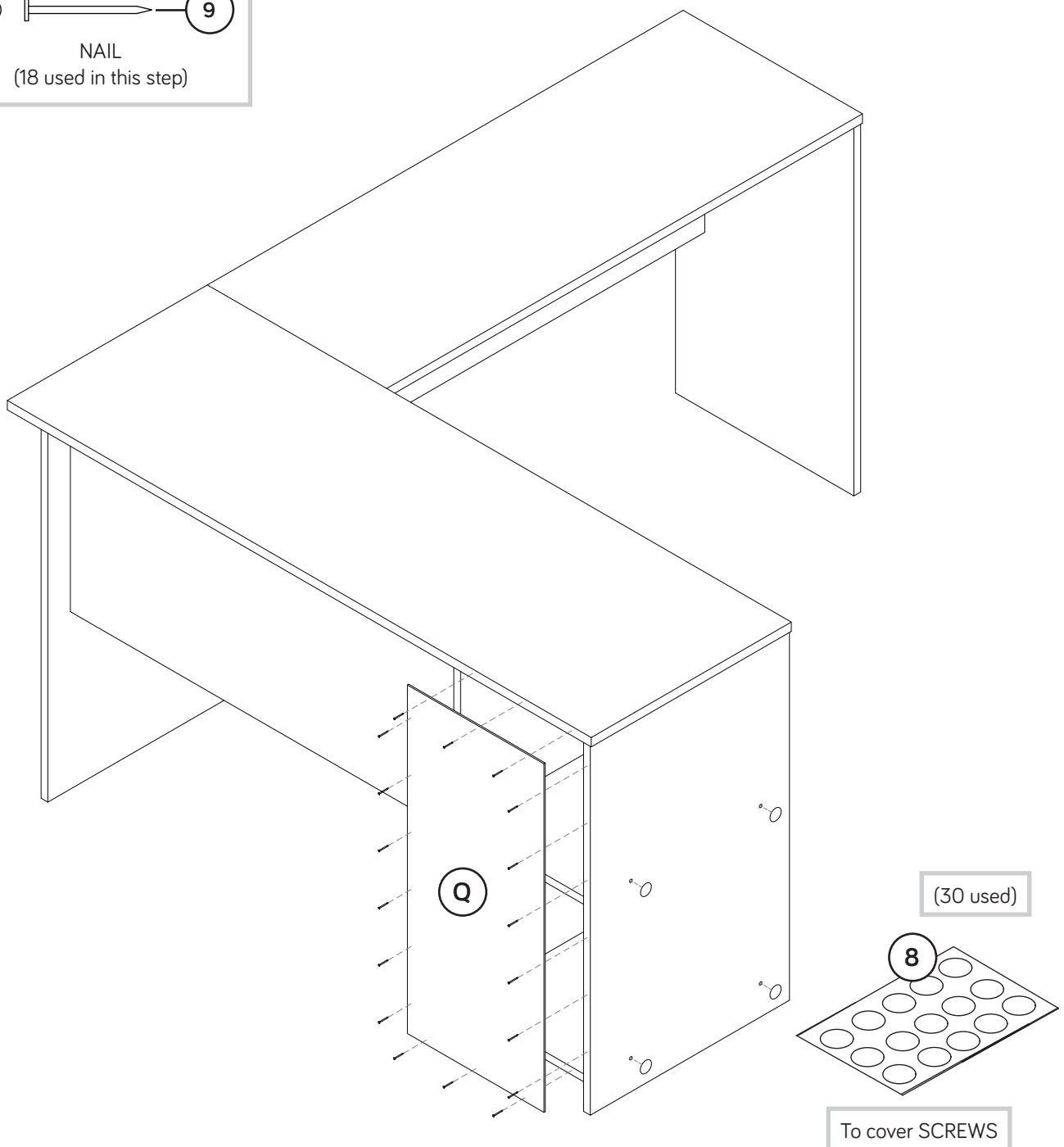
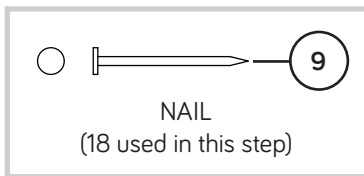
Step 19

- ✦ Push the four BRACKETS (12) onto the DRAWER SIDES (M and N).
- ✦ Slide the two FILE BARS (13) into the BRACKETS (12) as shown in the enlarged diagram.
- ✦ Hang your letter files on the FILE BARS (13) as shown.



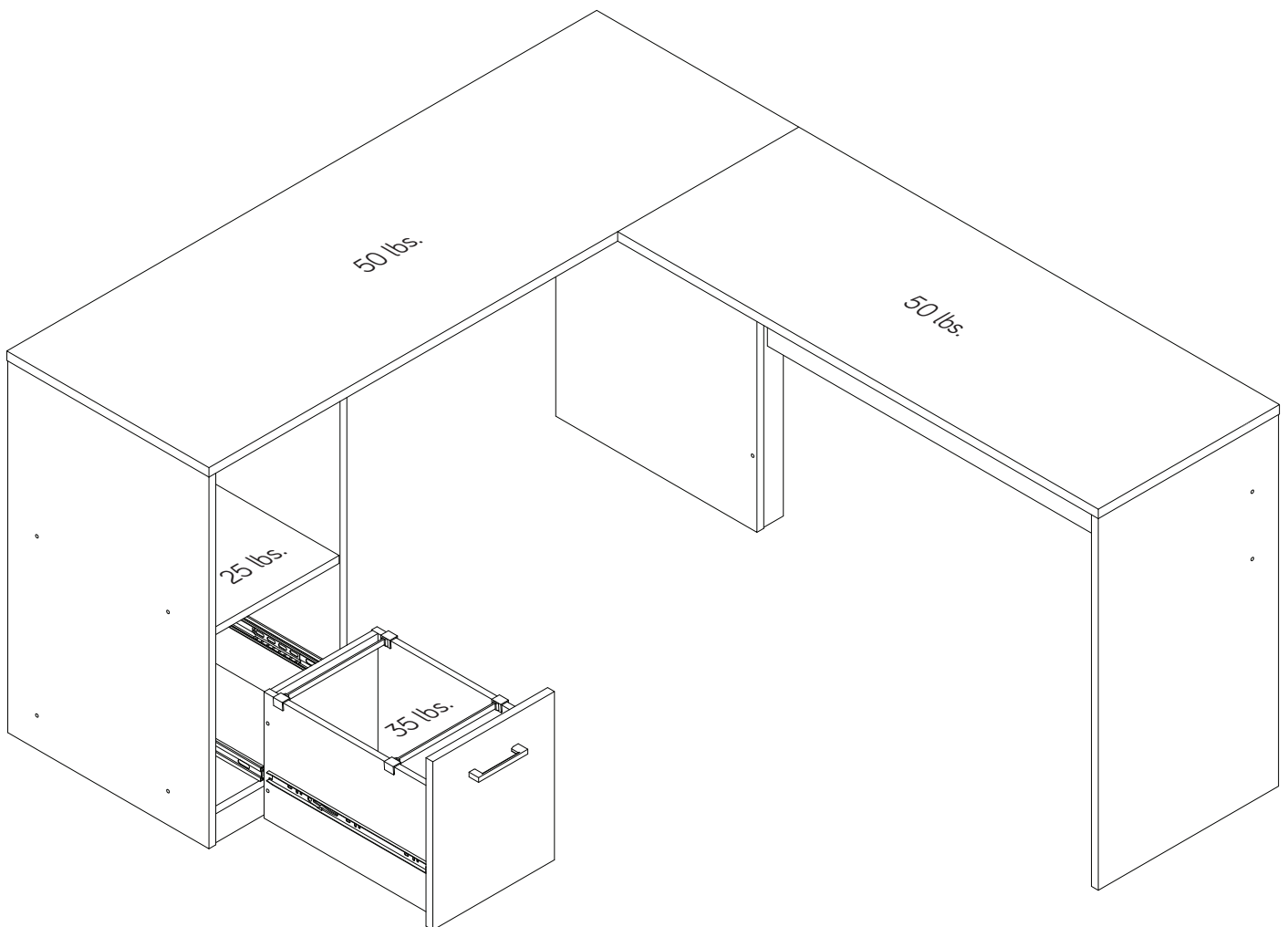
Step 20

- ✚ Make equal margins along all four edges of the BACK (Q). Push on opposite corners of your unit if needed to make it "square".
- ✚ Fasten the BACK (Q) to your unit using the NAILS (9). The NAILS should be 4" apart and 1/4" in from the edges.
- ✚ Peel APPLIQUES from the APPLIQUE CARD (8) and stick them onto each visible HIDDEN CAM



Step 21

- ✦ To insert a drawer into your unit, line up the EXTENSION SLIDES on the drawer with the EXTENSION RAILS on the unit and push the drawer into the unit until the drawer is fully inserted. The drawer will push in hard until it is all the way in, then it will slide in and out easier.
- ✦ NOTE: Please read the back pages of the instruction booklet for important safety information.
- ✦ This completes assembly. Clean with a damp cloth. Wipe dry.



WARNING

Please use your furniture correctly and safely. Improper use can cause safety hazards, or damage to your furniture or household items. ***Carefully read the following chart.***

Look out for:	What can happen:	How to avoid the problem:
<ul style="list-style-type: none">• Overloaded shelves or drawers.• Improper loading can cause the product to be top-heavy.	<ul style="list-style-type: none">• Risk of injury.• Top-heavy furniture can tip over.• Overloaded shelves and drawers can break.	<ul style="list-style-type: none">• Never exceed the weight limits shown in the instructions.• Work from bottom to top when loading shelves and drawers. Place the heavier items on the lower shelves or in lower drawers.
<ul style="list-style-type: none">• Improperly moving furniture that is not designed and equipped with casters.	<ul style="list-style-type: none">• Furniture can tip over or break if improperly moved.• Physical injury. Furniture can be very heavy.• Breakage of tops - particularly with double pedestal furniture (drawers at both ends).	<ul style="list-style-type: none">• Unload shelves and drawers from top to bottom before moving the unit.• Do not push furniture, especially on a carpeted floor. Have a friend help you lift the item and set it in place.• Provide support to the center section of the top when lifting the furniture.
<ul style="list-style-type: none">• Placing TVs on furniture items that are not designed to support a television is hazardous.	<ul style="list-style-type: none">• Risk of injury or death. TVs can be very heavy. Plus the weight and location of the picture tube tends to make TVs unbalanced and prone to tipping forward.	<ul style="list-style-type: none">• This product is not designed to support a television.