

www.teknikoffice.co.uk



Teknik

The original **desktop**.

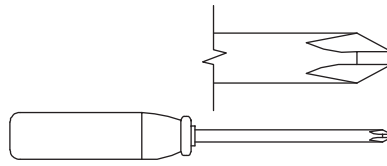
Essentials Computer Desk

Model 5424256

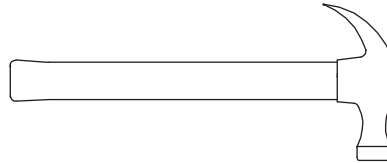
Table of Contents

Assembly Tools Required

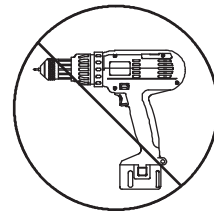
Part Identification	3
Hardware Identification	4
Assembly Steps	5-28
Français	29-32
Español	33-36
Safety	37-38
Warranty	39



No. 2 Phillips Screwdriver
Tip Shown Actual Size



Hammer
Not actual size 😊



Skip the power trip.
This time.

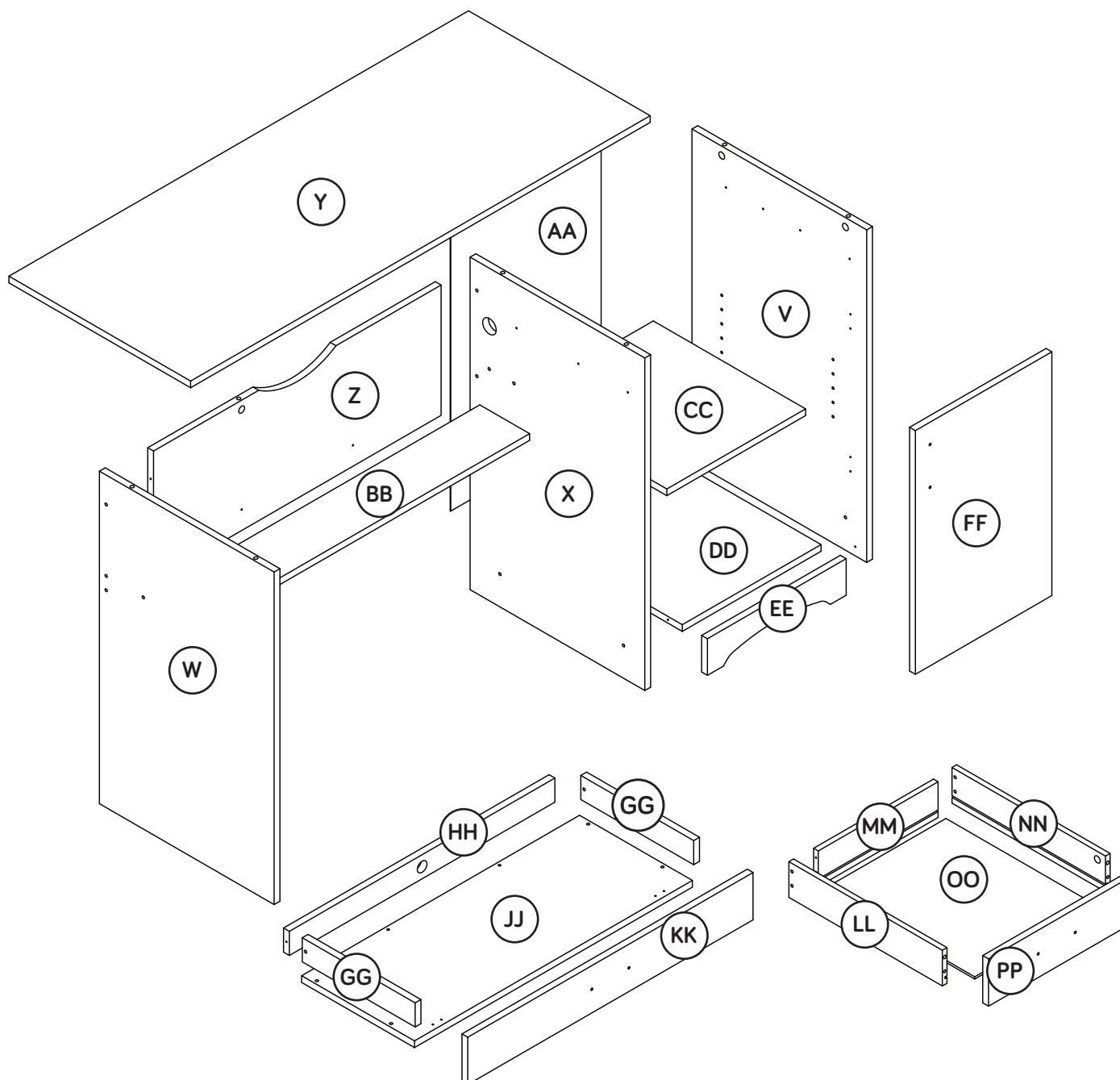
Part Identification

Now you know
our ABCs.



⚠ While not all parts are labeled, some of the parts will have a label or an inked letter on the edge to help distinguish similar parts from each other. Use this part identification to help identify similar parts.

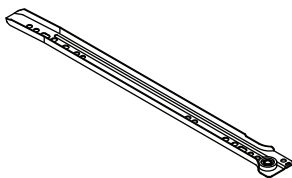
V	RIGHT END (1)	CC	ADJUSTABLE SHELF (1)	KK	KEYBOARD FRONT (1)
W	LEFT END (1)	DD	BOTTOM (1)	LL	LEFT DRAWER SIDE (1)
X	UPRIGHT (1)	EE	SKIRT (1)	MM	DRAWER BACK (1)
Y	TOP (1)	FF	DOOR (1)	NN	RIGHT DRAWER SIDE (1)
Z	MODESTY PANEL (1)	GG	KEYBOARD SIDE (2)	OO	DRAWER BOTTOM (1)
AA	BACK (1)	HH	KEYBOARD BACK (1)	PP	DRAWER FRONT (1)
BB	SHELF (1)	JJ	KEYBOARD SHELF (1)		



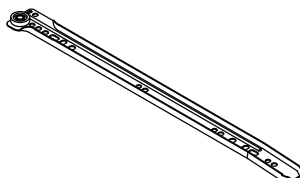
Hardware Identification

† Screws are shown actual size. You may receive extra hardware with your unit.

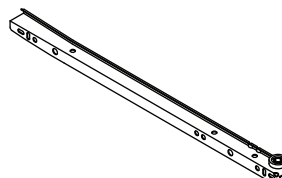
24 LONG CABINET
RIGHT - 1



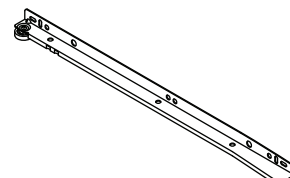
25 LONG CABINET
LEFT - 1



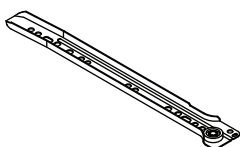
26 LONG DRAWER
RIGHT - 1



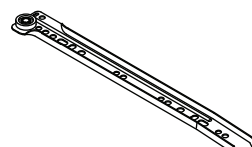
27 LONG DRAWER
LEFT - 1



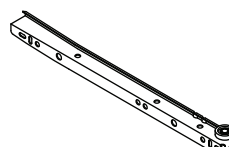
28 SHORT CABINET
RIGHT - 1



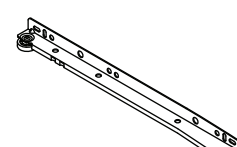
29 SHORT CABINET
LEFT - 1



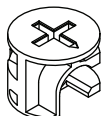
30 SHORT DRAWER
RIGHT - 1



31 SHORT DRAWER
LEFT - 1



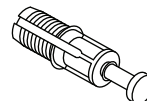
32 HIDDEN CAM - 7



33 SMALL HIDDEN
CAM - 2



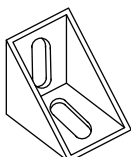
34 CAM DOWEL - 9



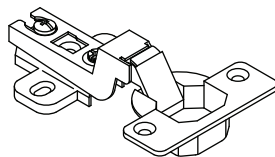
35 WOOD DOWEL - 6



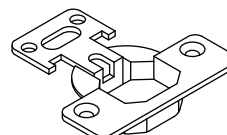
36 ANGLE BRACKET - 6



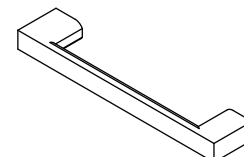
37 HINGE - 2



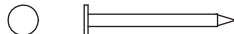
38 KEYBOARD HINGE - 2



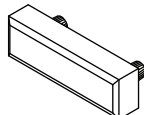
39 PULL - 3



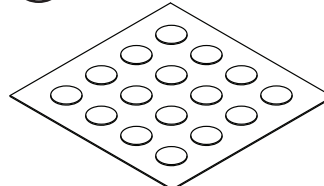
40 NAIL - 18



41 DOOR STOP - 1



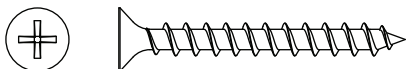
42 APPLIQUE CARD - 1



43 METAL PIN - 4



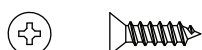
44 GOLD 1-1/2" FLAT HEAD SCREW - 21



45 SILVER 15/16" PAN HEAD SCREW - 6

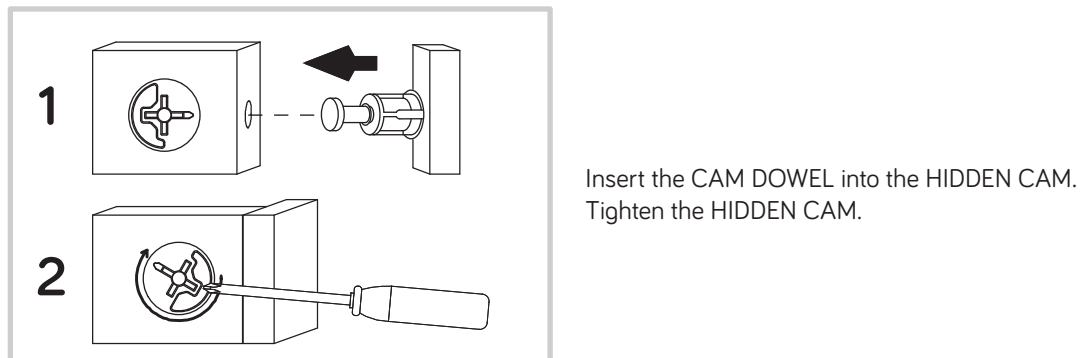
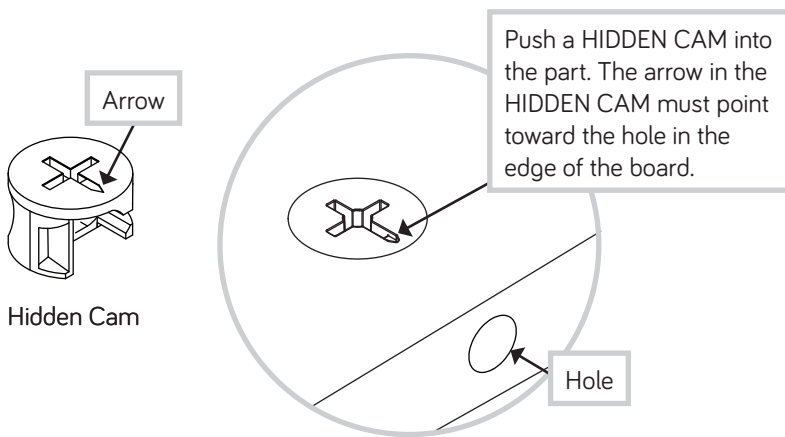
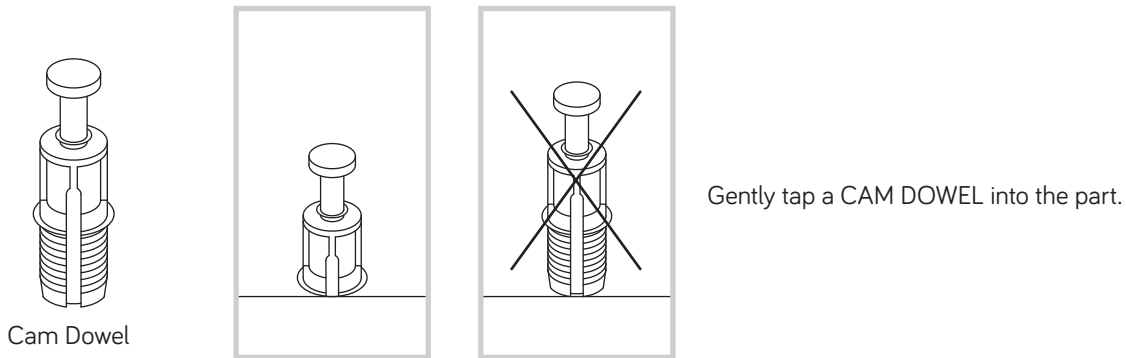


46 GOLD 1/2" FLAT HEAD SCREW - 54



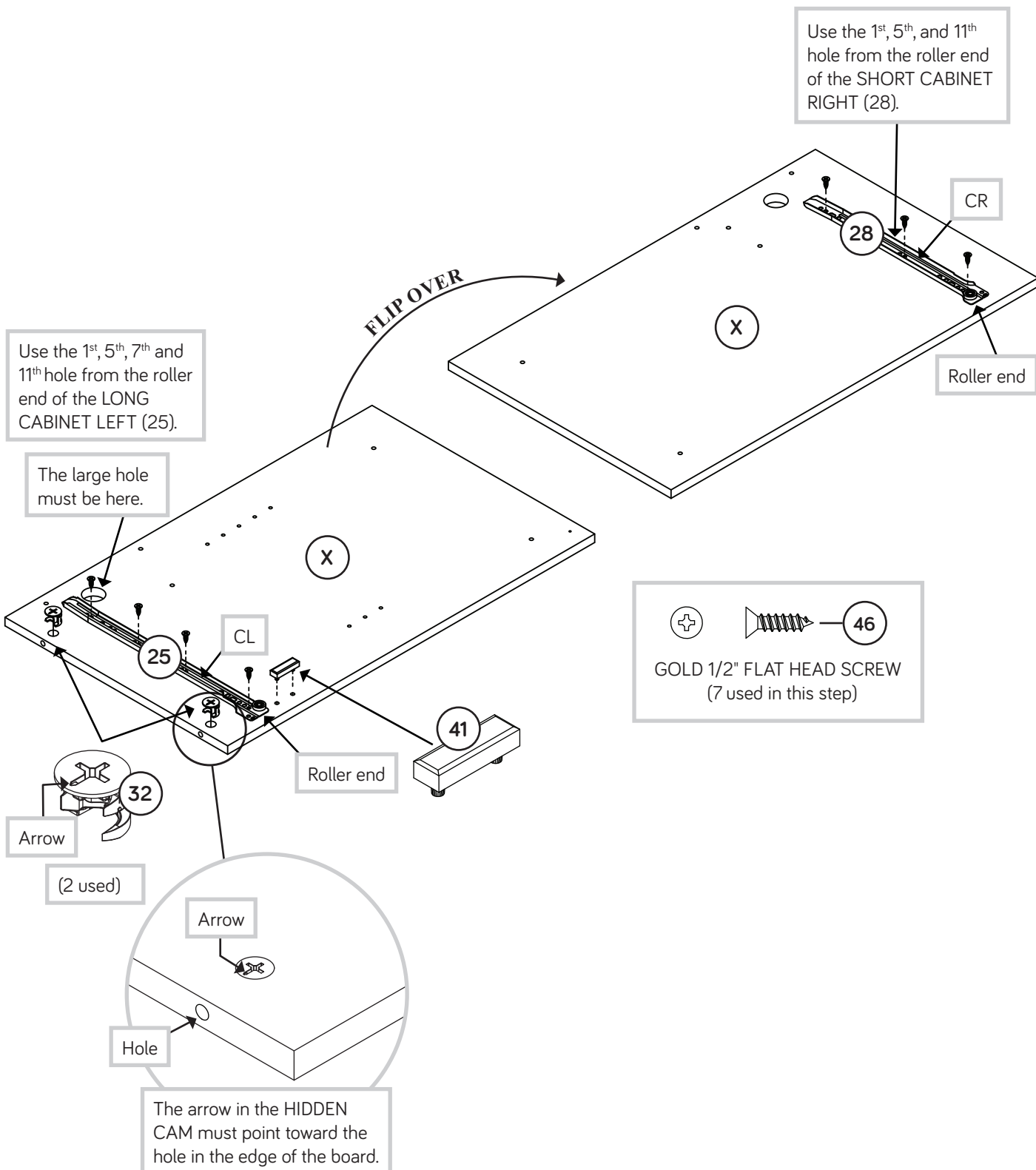
Hardware Usage Guide

HOW TO USE A HIDDEN CAM & CAM DOWEL



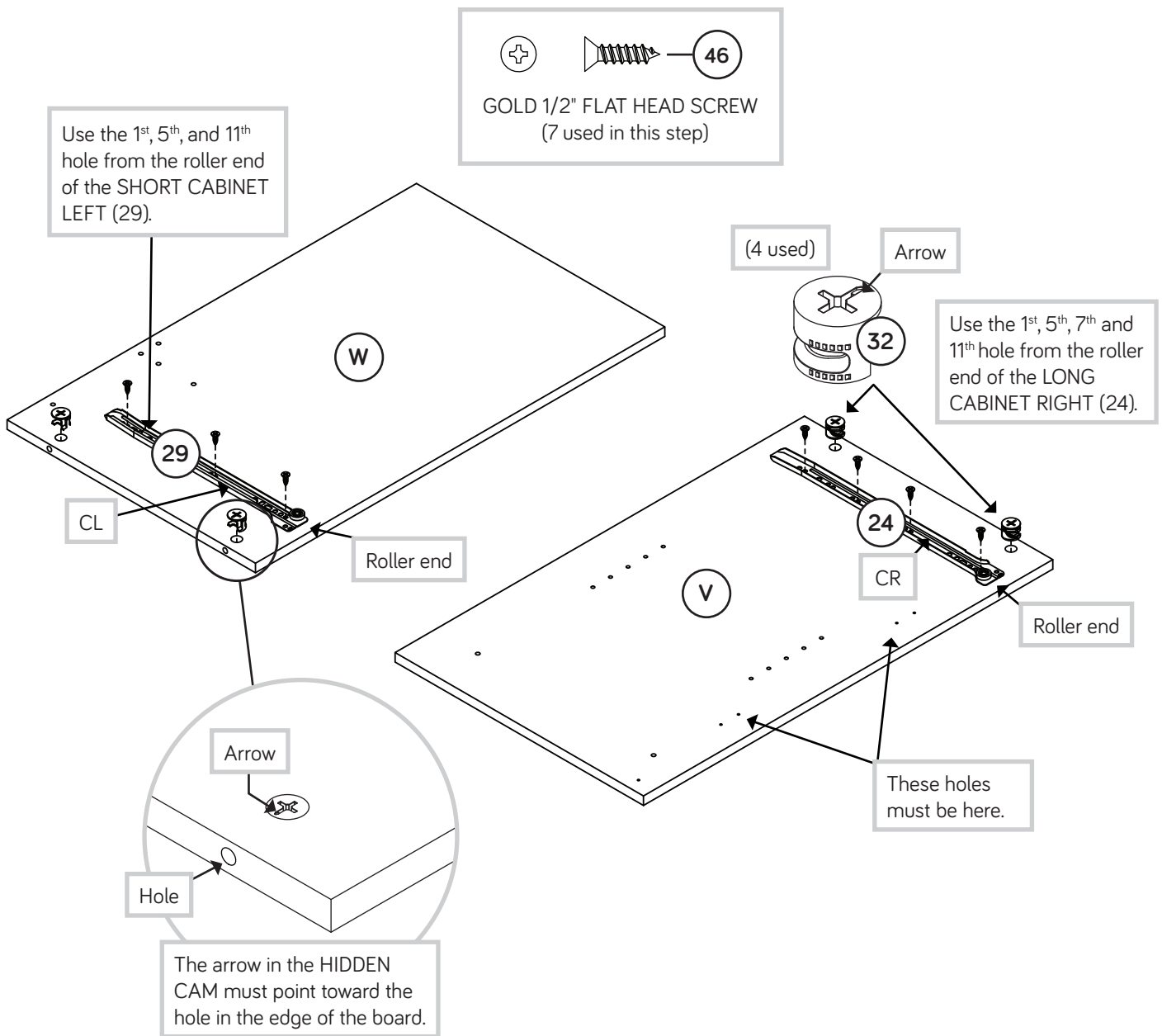
Step 1

- ✚ Push two HIDDEN CAMS (32) into the UPRIGHT (X).
- ✚ Push the DOOR STOP (41) into the holes in the UPRIGHT (X).
- ✚ Fasten the LONG CABINET LEFT (25) to the UPRIGHT (X). Use four GOLD 1/2" FLAT HEAD SCREWS (46).
- ✚ Flip the UPRIGHT (X) over. Fasten the SHORT CABINET RIGHT (28) to the UPRIGHT (X). Use three GOLD 1/2" FLAT HEAD SCREWS (46).



Step 2

- Push four HIDDEN CAMS (32) into the ENDS (V and W).
- Fasten the LONG CABINET RIGHT (24) to the RIGHT END (V). Use four GOLD 1/2" FLAT HEAD SCREWS (46).
- Fasten the SHORT CABINET LEFT (29) to the LEFT END (W). Use three GOLD 1/2" FLAT HEAD SCREWS (46).



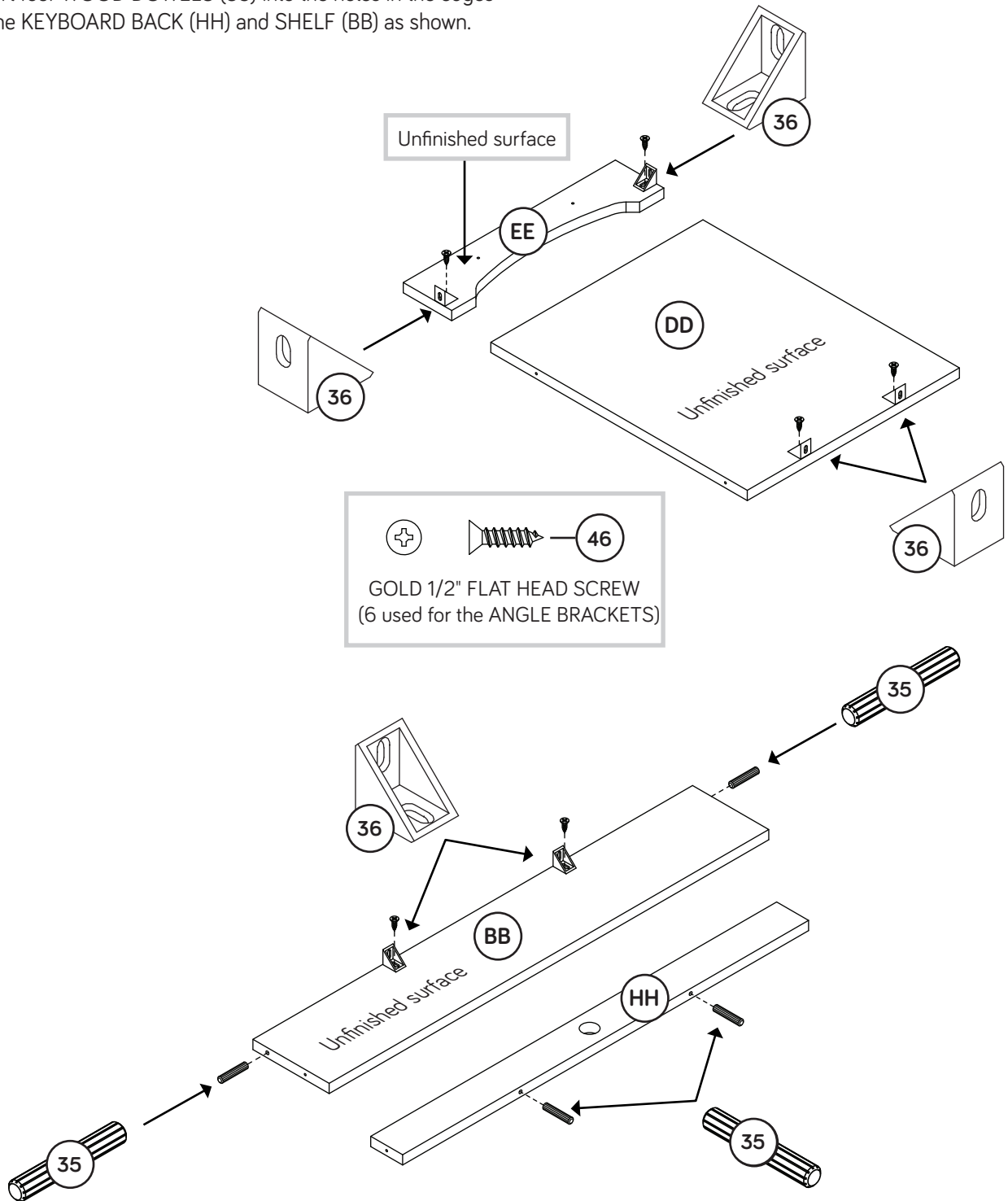
Step 3

Fasten six ANGLE BRACKETS (36) to the SHELF (BB), BOTTOM (DD), and SKIRT (EE). Use six GOLD 1/2" FLAT HEAD SCREWS (46).

NOTE: Be sure the edges of the ANGLE BRACKETS are even with the edges of the SHELF, BOTTOM and SKIRT.

Insert four WOOD DOWELS (35) into the holes in the edges of the KEYBOARD BACK (HH) and SHELF (BB) as shown.

 Some assembly (and snacks) required.



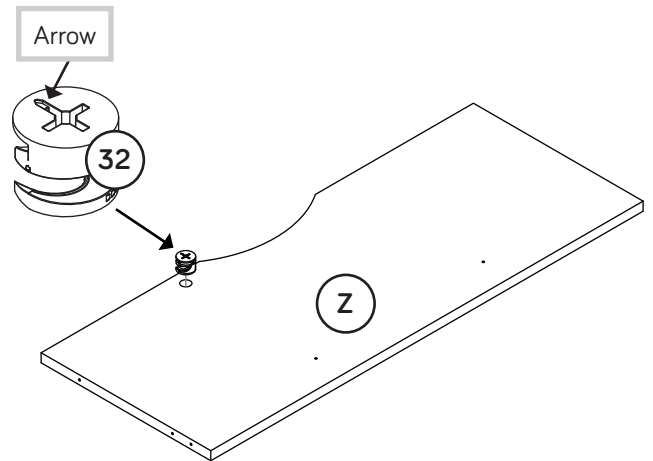
Step 4

✚ Push the HIDDEN CAM (32) into the MODESTY PANEL (Z).

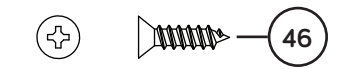
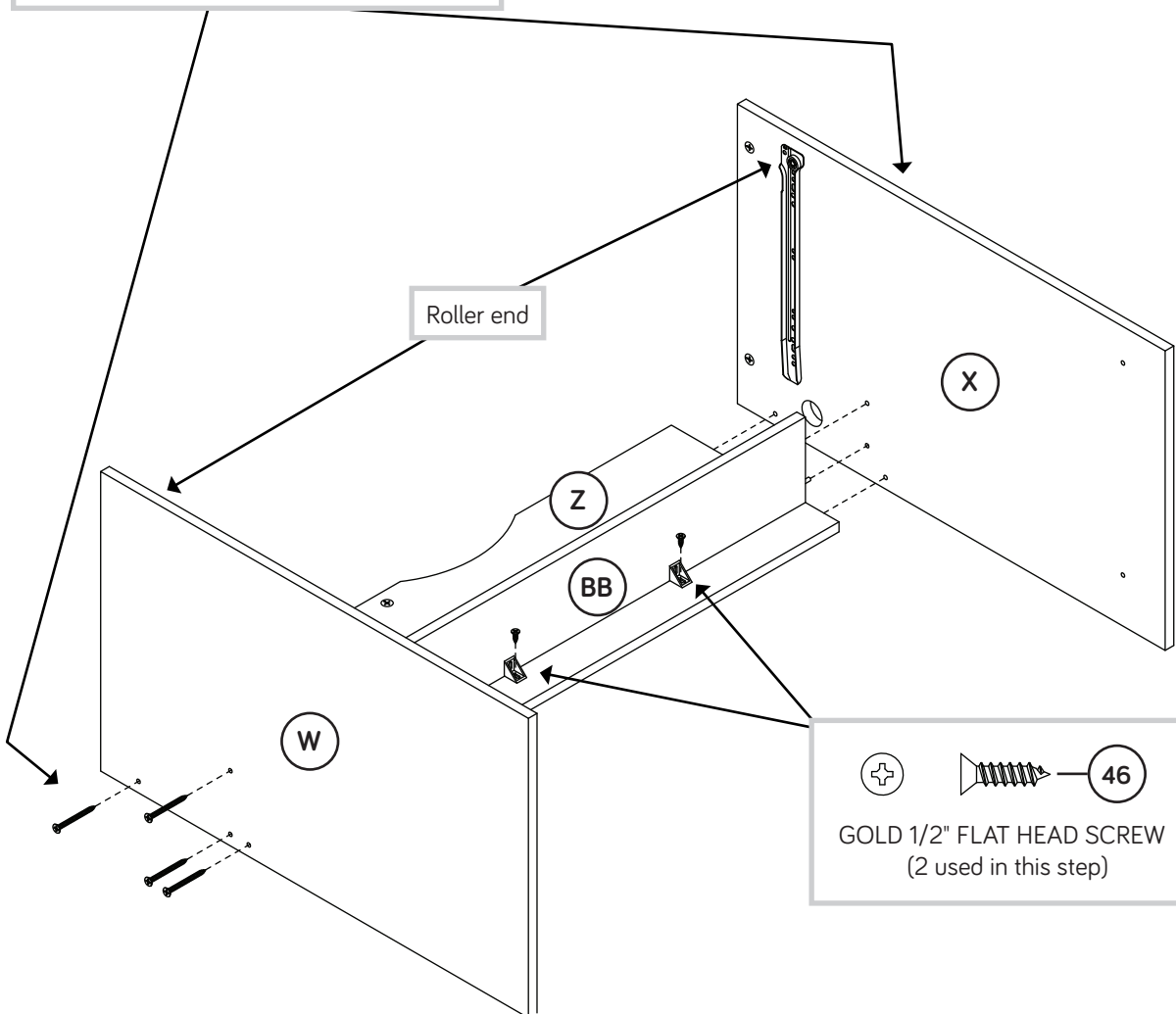
✚ Fasten the UPRIGHT (X) and LEFT END (W) to SHELF (BB) and MODESTY PANEL (Z). Use seven GOLD 1-1/2" FLAT HEAD SCREWS (44).

✚ NOTE: Be sure the WOOD DOWELS in the SHELF insert into the UPRIGHT and LEFT END.

✚ Fasten the SHELF (BB) to the MODESTY PANEL (Z). Use two GOLD 1/2" FLAT HEAD SCREWS (46) through the ANGLE BRACKETS and into the MODESTY PANEL.



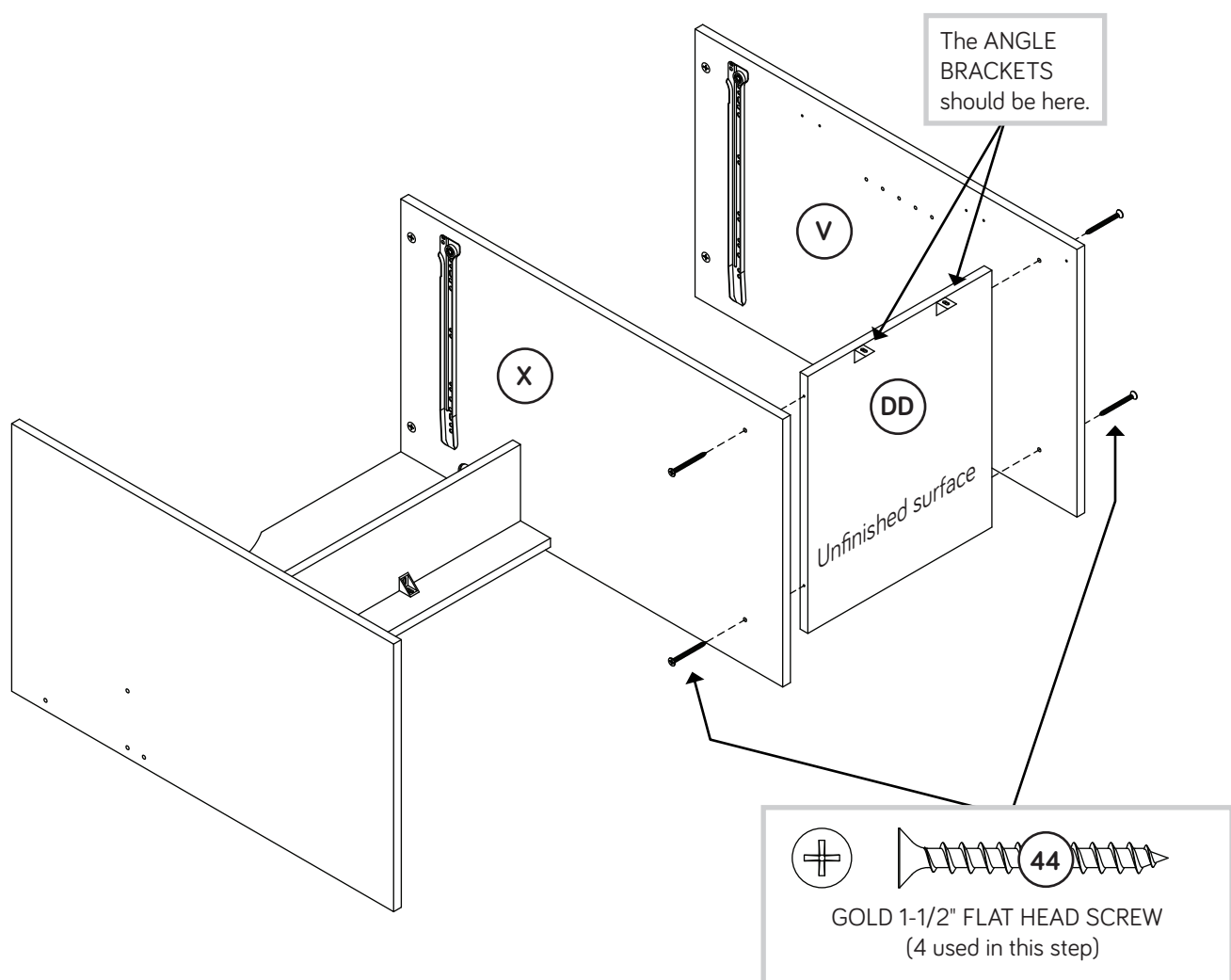
GOLD 1-1/2" FLAT HEAD SCREW
(7 used in this step)



GOLD 1/2" FLAT HEAD SCREW
(2 used in this step)

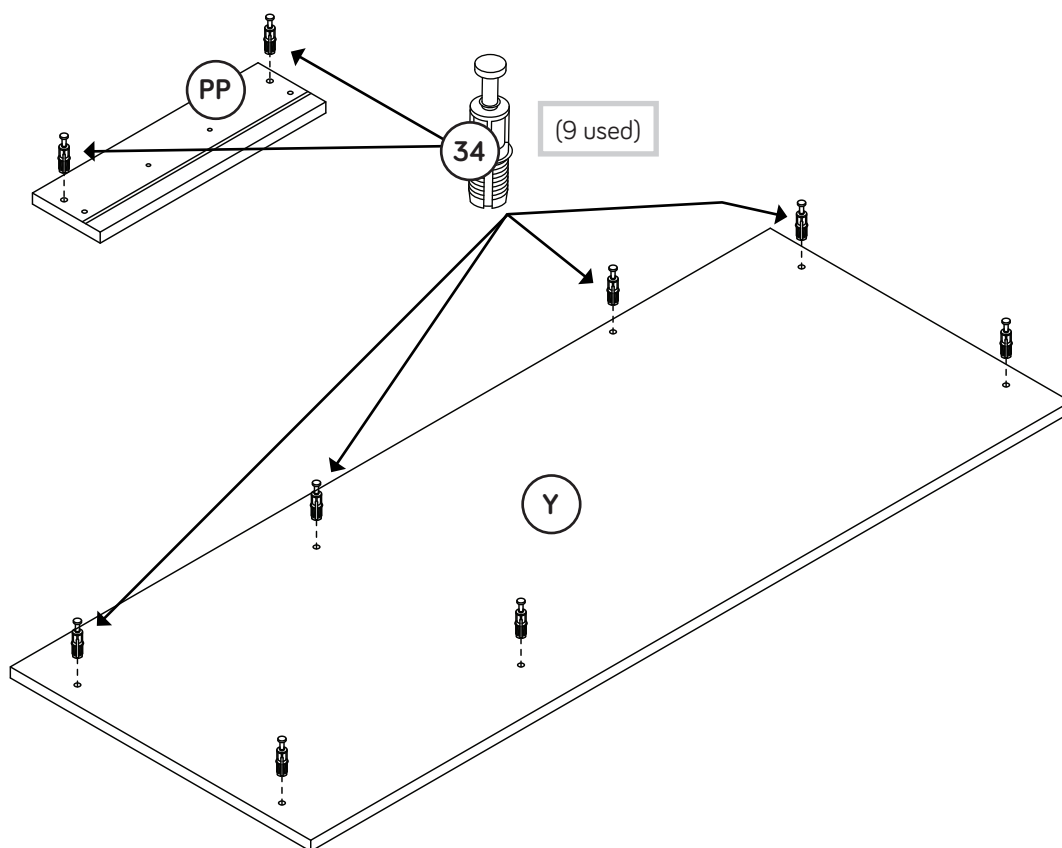
Step 5

- Fasten the BOTTOM (DD) to the UPRIGHT (X). Use two GOLD 1-1/2" FLAT HEAD SCREWS (44).
- Fasten the RIGHT END (V) to the BOTTOM (DD). Use two GOLD 1-1/2" FLAT HEAD SCREWS (44).



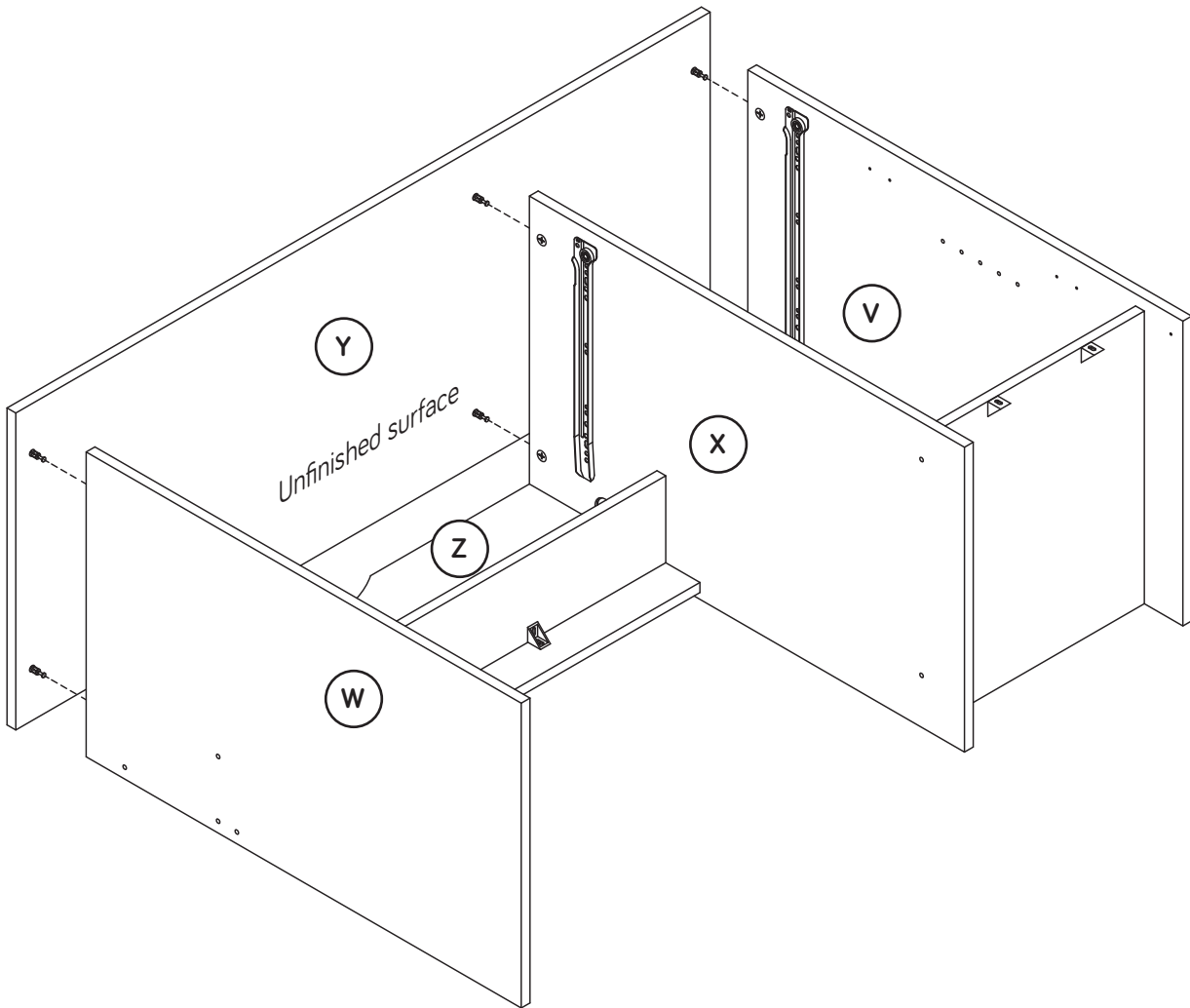
Step 6

- With a hammer, gently tap nine CAM DOWELS (34) into the TOP (Y) and DRAWER FRONT (PP).



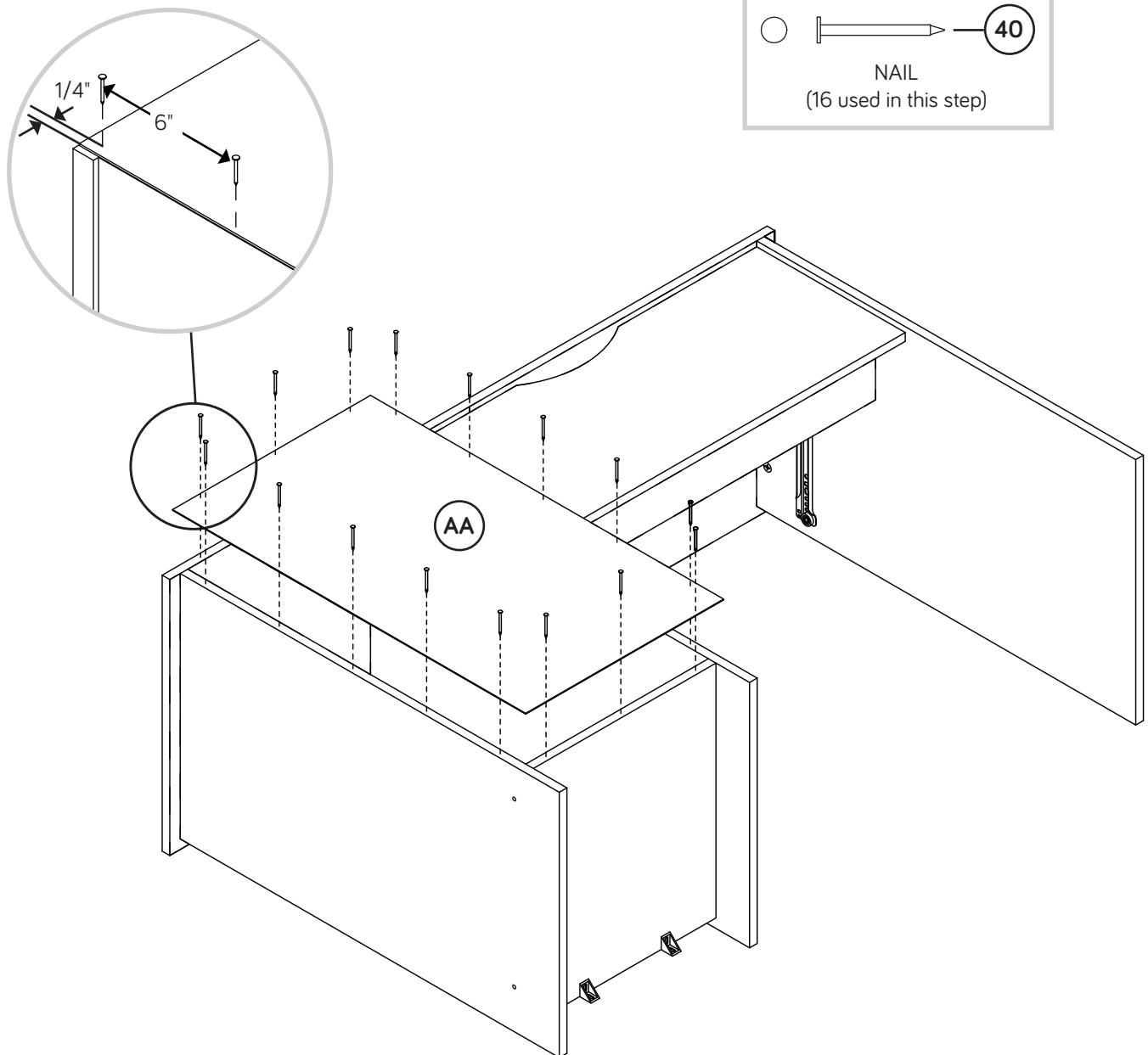
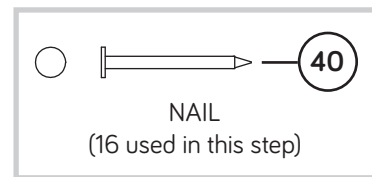
Step 7

- Fasten the TOP (Y) to the ENDS (V and W), UPRIGHT (X), and MODESTY PANEL (Z). Tighten seven HIDDEN CAMS.



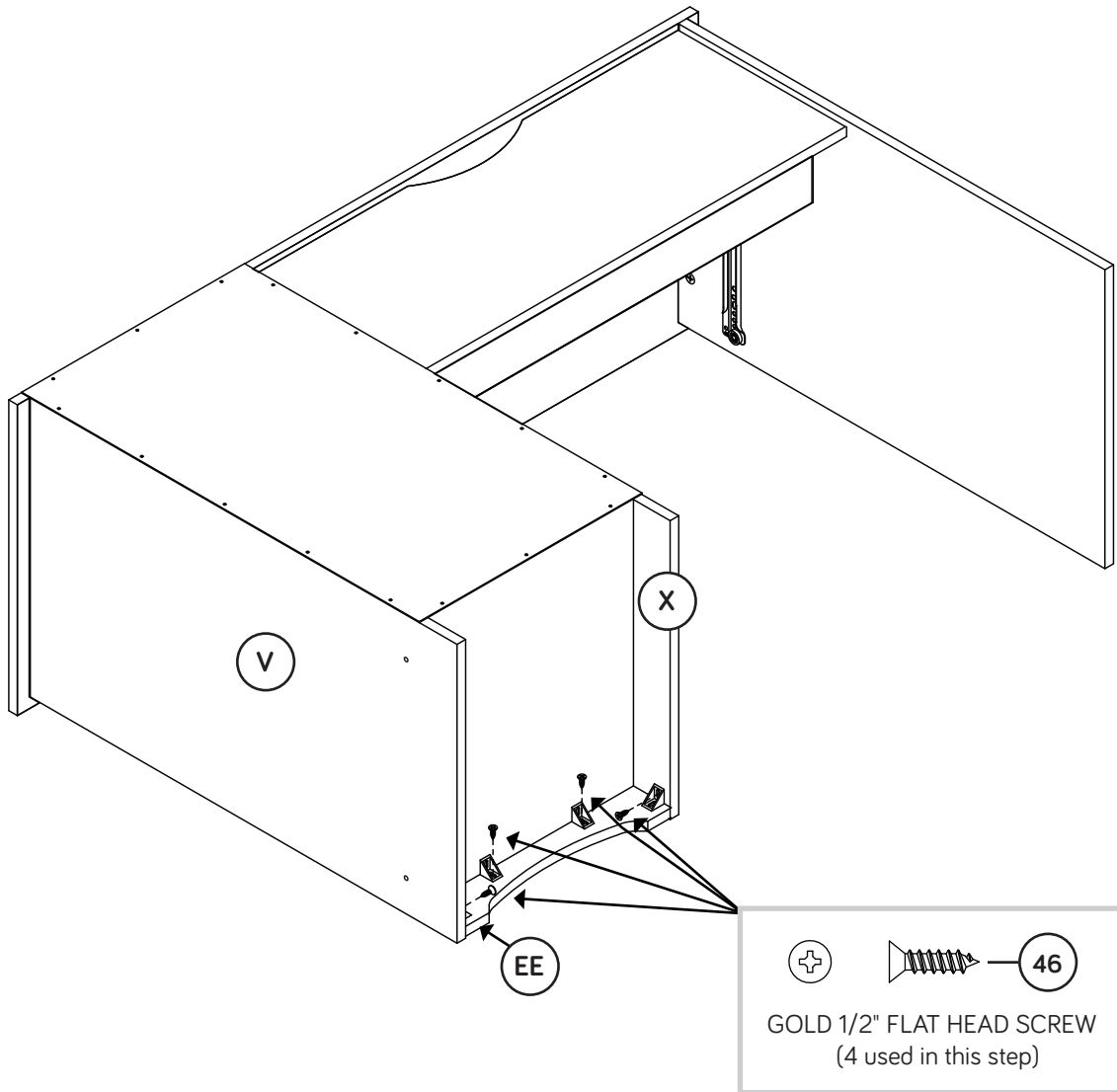
Step 8

- ✚ Carefully turn your unit over onto its front edges.
- ✚ Make equal margins along all four edges of the BACK (AA).
- ✚ Fasten the BACK (AA) to your unit using the NAILS (40).
The NAILS should be 6" apart and 1/4" in from the edges.



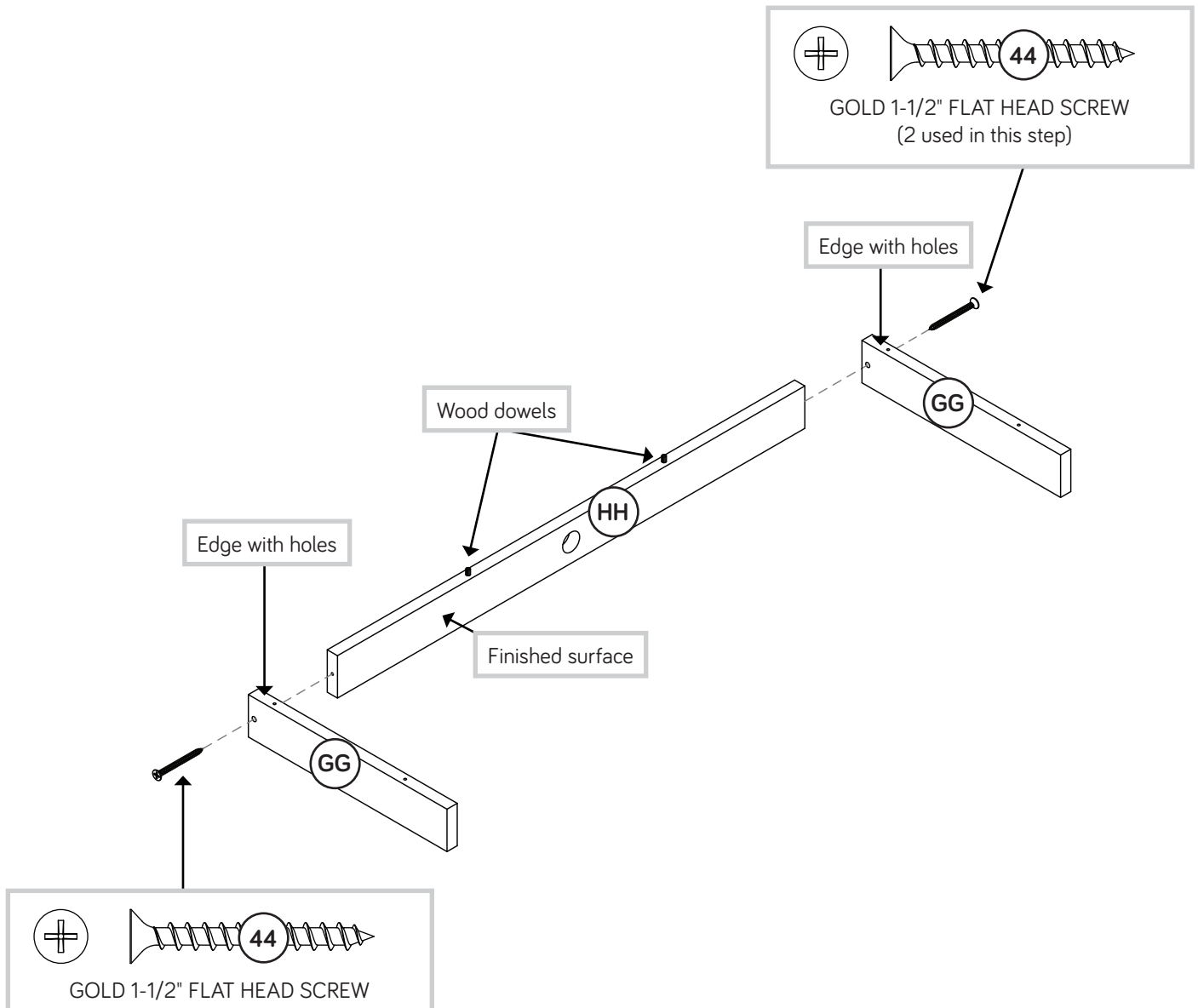
Step 9

- Fasten the SKIRT (EE) to the RIGHT END (V) and UPRIGHT (X).
Use four GOLD 1/2" FLAT HEAD SCREWS (46).



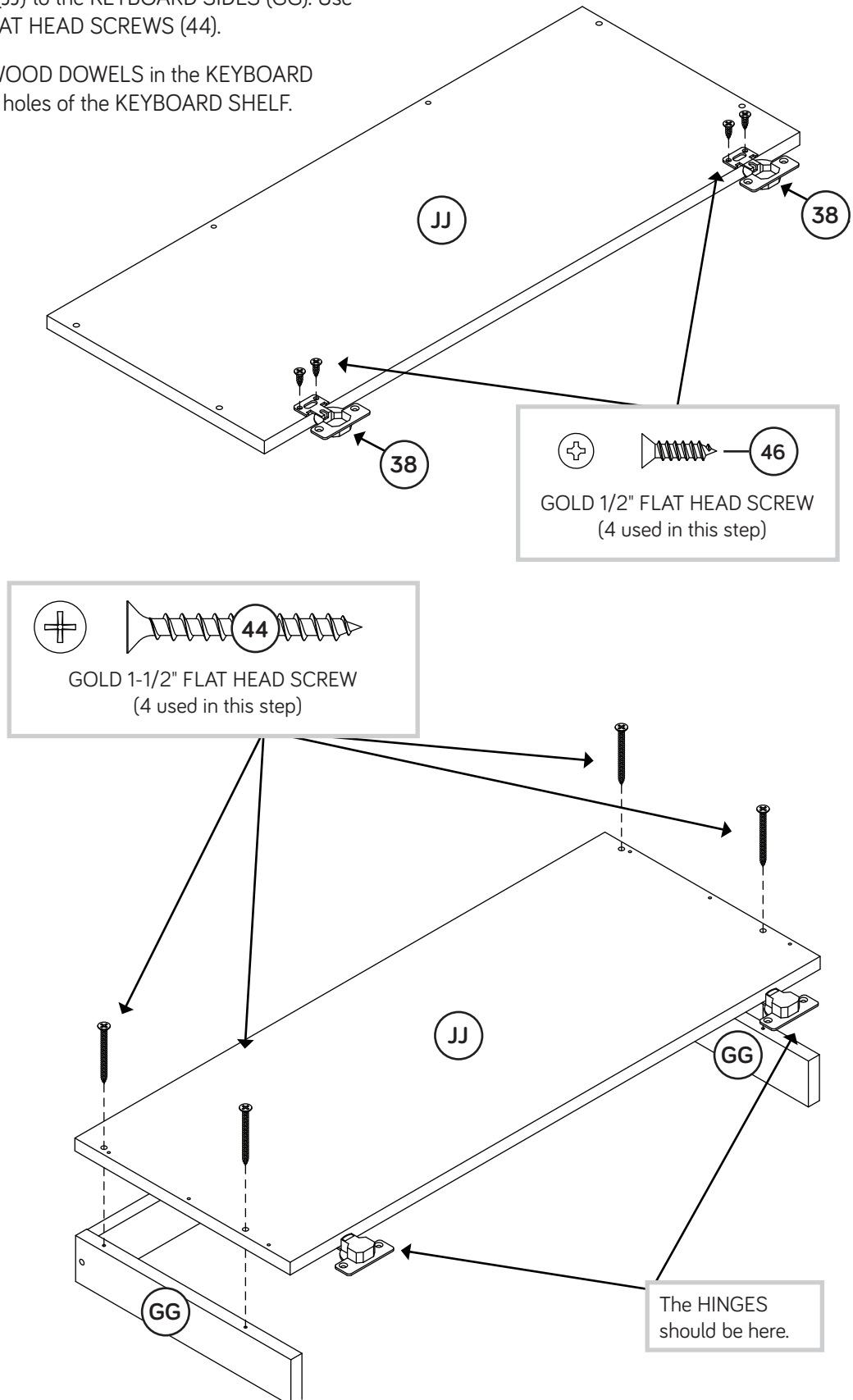
Step 10

- Fasten the KEYBOARD SIDES (GG) to the KEYBOARD BACK (HH). Use two GOLD 1-1/2" FLAT HEAD SCREWS (44).



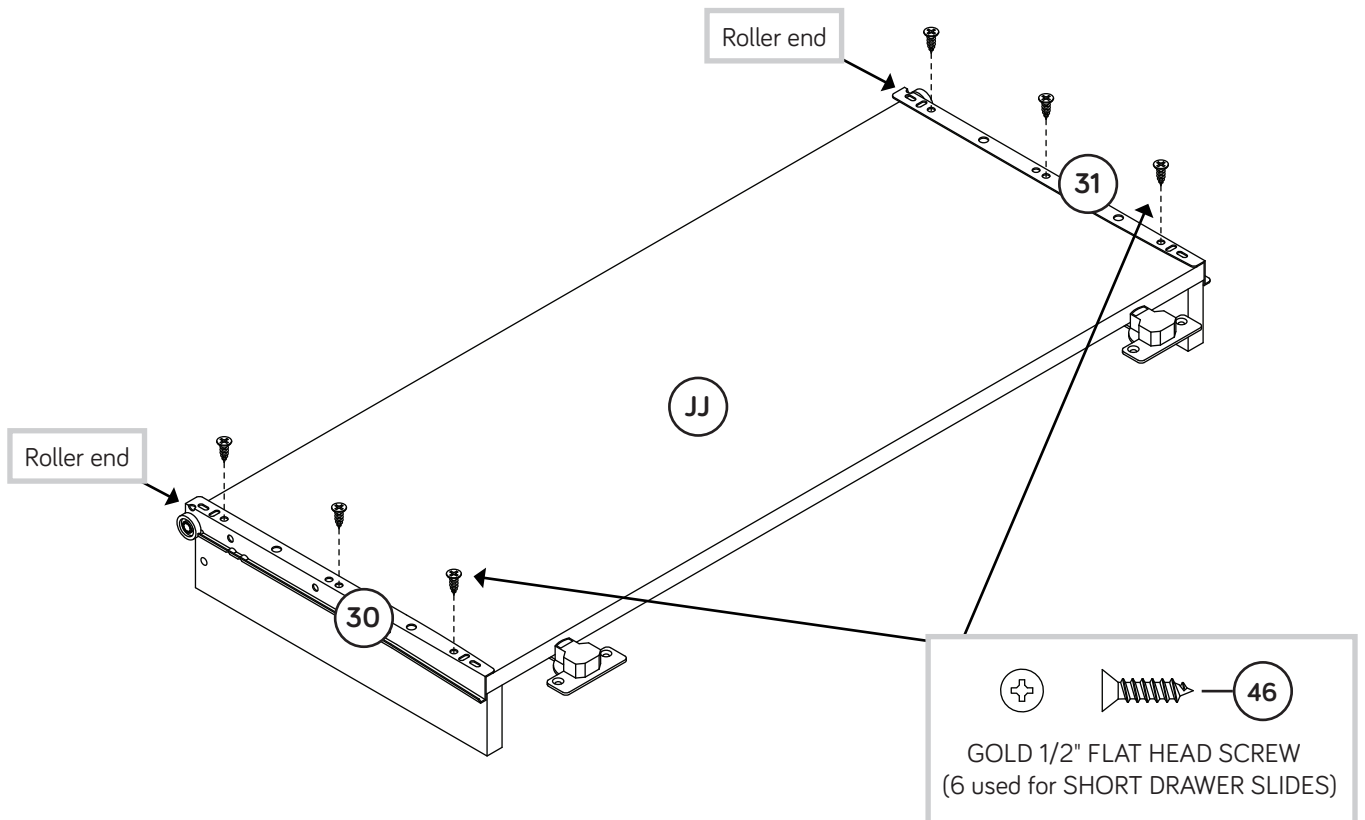
Step 11

- Fasten the KEYBOARD HINGE (38) to the KEYBOARD SHELF (JJ). Use four GOLD 1/2" FLAT HEAD SCREWS (46).
- Flip the KEYBOARD SHELF (JJ) over. Fasten the KEYBOARD SHELF (JJ) to the KEYBOARD SIDES (GG). Use four GOLD 1-1/2" FLAT HEAD SCREWS (44).
- NOTE:** Be sure the WOOD DOWELS in the KEYBOARD BACK insert into the holes of the KEYBOARD SHELF.



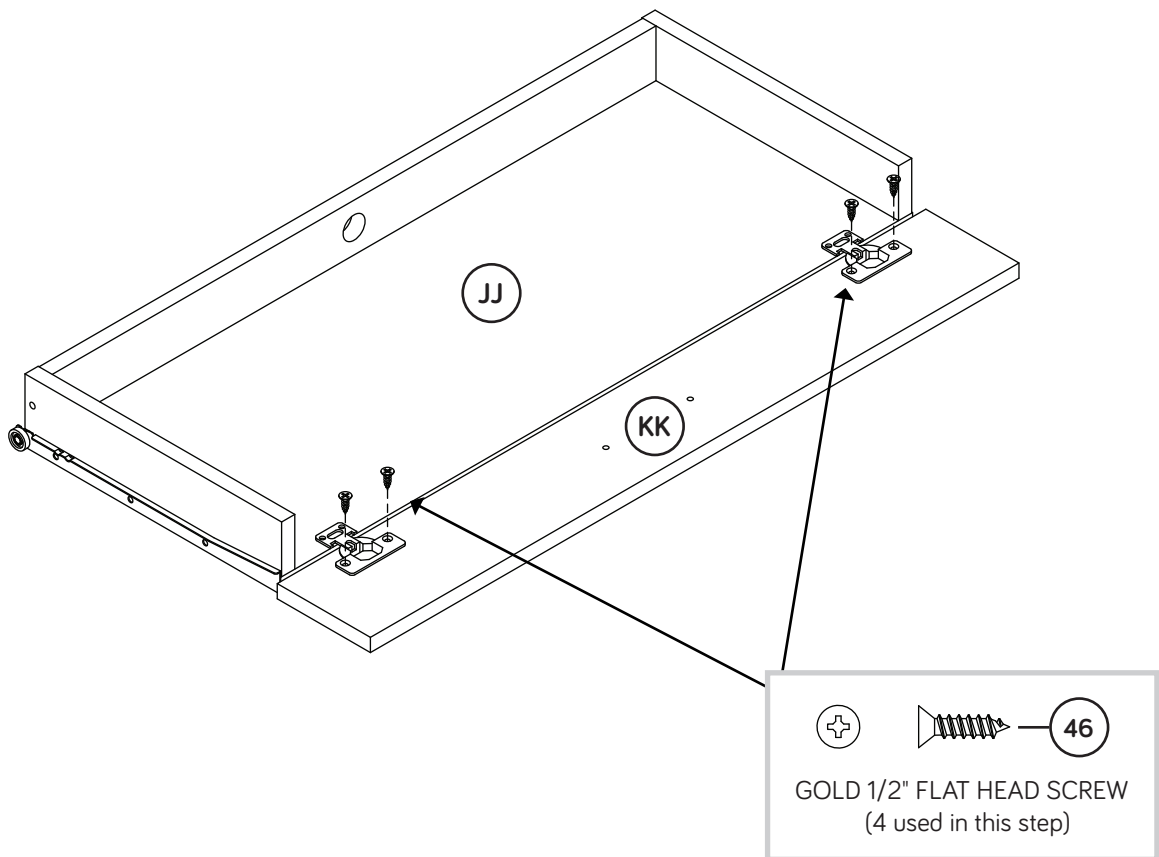
Step 12

- Fasten the SHORT DRAWER RIGHT (30) and SHORT DRAWER LEFT (31) to the KEYBOARD SHELF (JJ). Use six GOLD 1/2" FLAT HEAD SCREWS (46).



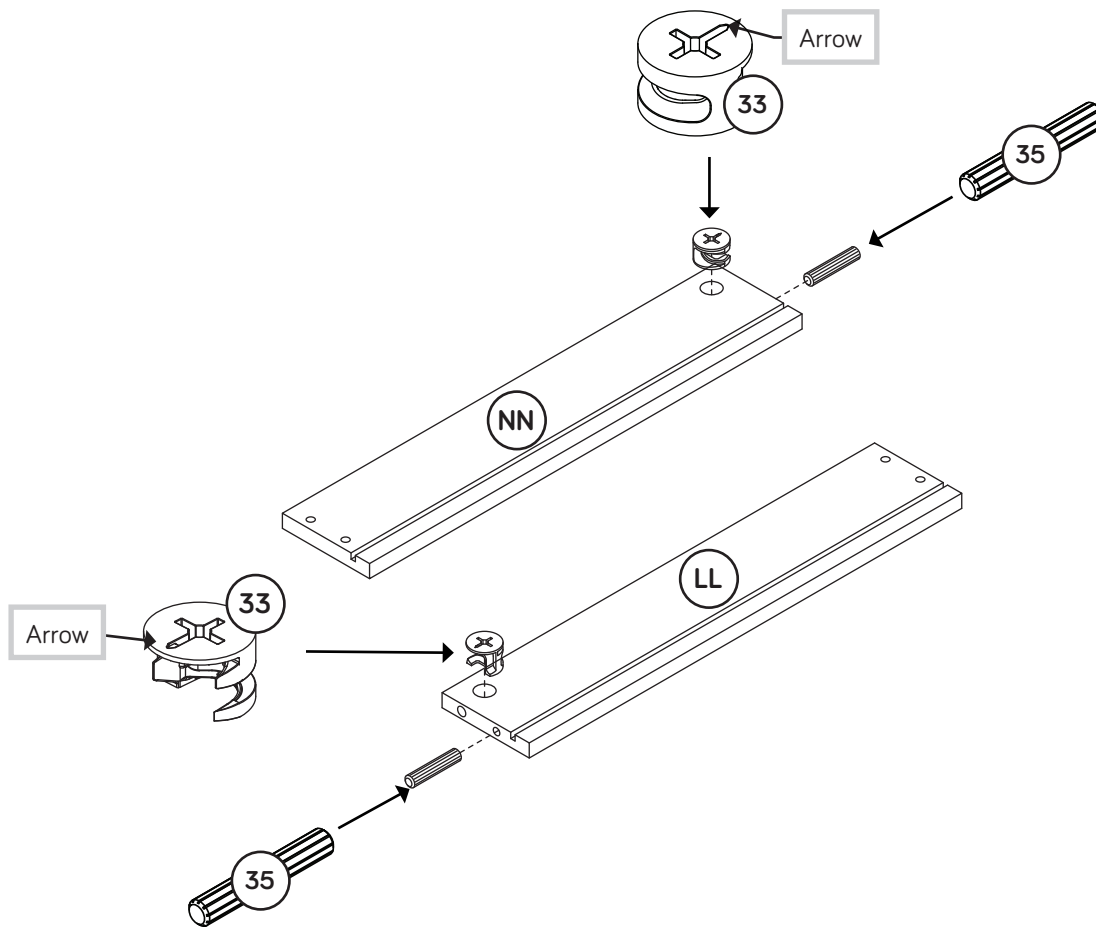
Step 13

- Flip the KEYBOARD SHELF (JJ) over. Fasten the KEYBOARD FRONT (KK) to the HINGES on the KEYBOARD SHELF (JJ). Use four GOLD 1/2" FLAT HEAD SCREWS (46).



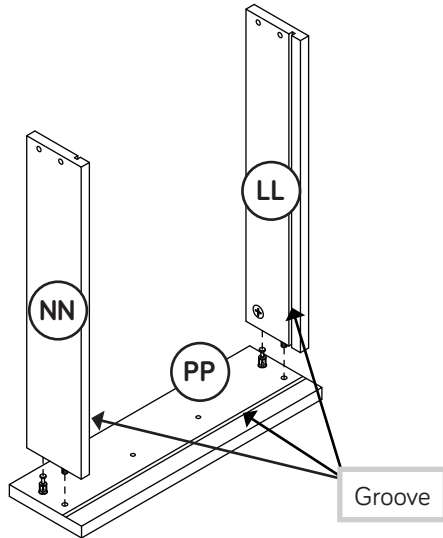
Step 14

- ✚ Push two SMALL HIDDEN CAMS (33) into the DRAWER SIDES (LL and NN).
- ✚ Insert two WOOD DOWELS (35) into the short edges of the DRAWER SIDES (LL and NN).



Step 15

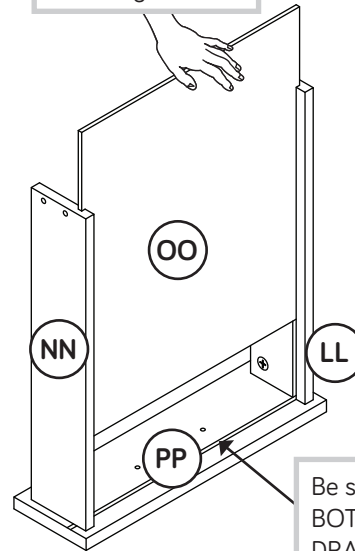
1



- Fasten the DRAWER SIDES (LL and NN) to the DRAWER FRONT (PP). Tighten two HIDDEN CAMS.
- NOTE: Be sure the WOOD DOWELS in to the DRAWER SIDES insert into the DRAWER FRONT.

2

With the palm of your hand, tap the DRAWER BOTTOM down into the groove.

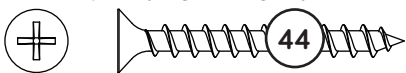


Be sure the DRAWER BOTTOM inserts into the DRAWER FRONT groove.

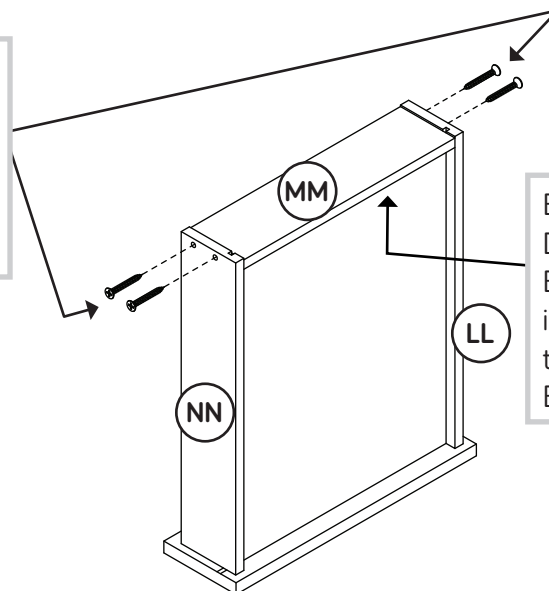
- Slide the DRAWER BOTTOM (OO) into the grooves in the DRAWER SIDES (LL and NN) and DRAWER FRONT (PP).

3

Start each screw a few turns before completely tightening any of them.



GOLD 1-1/2" FLAT HEAD SCREW
(4 used in this step)

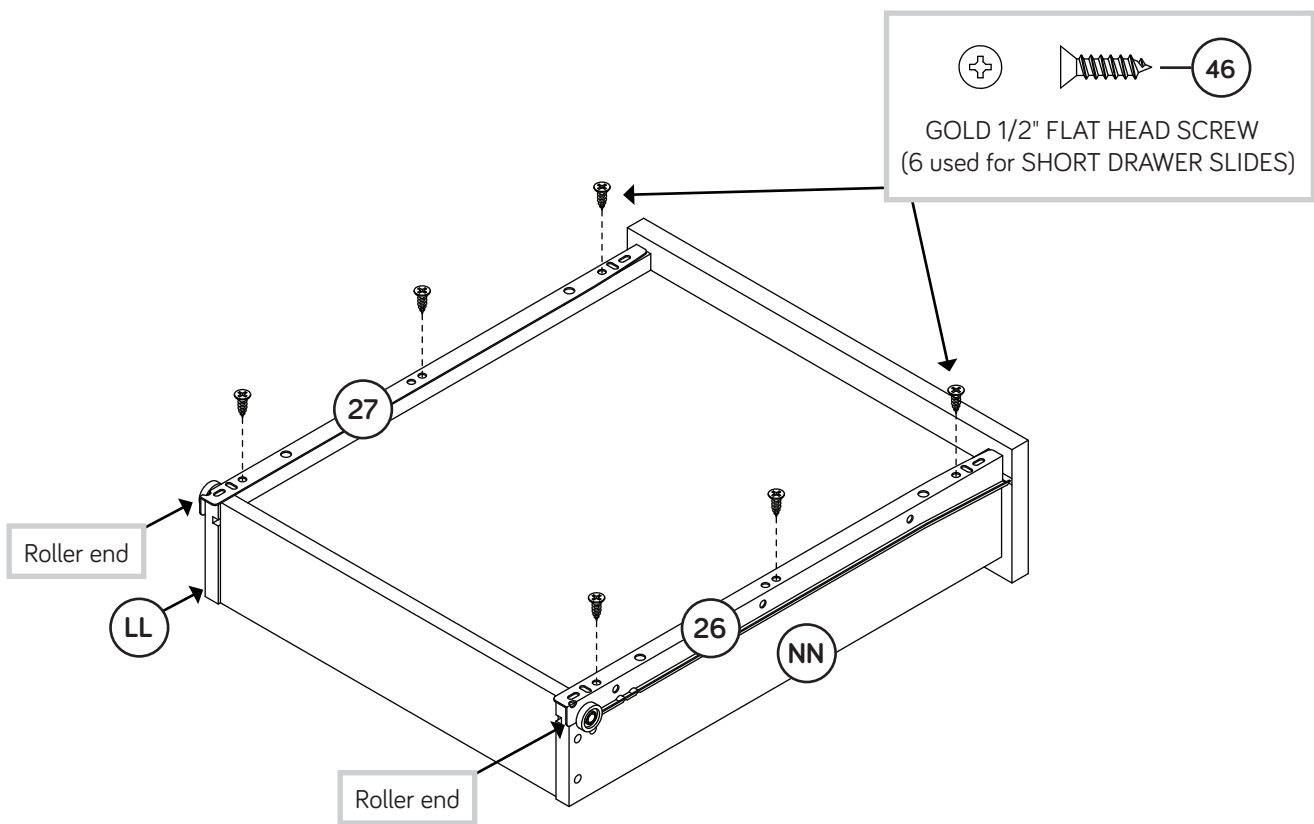


Be sure the DRAWER BOTTOM inserts into the DRAWER BACK groove.

- Fasten the DRAWER BACK (MM) to the DRAWER SIDES (LL and NN). Use four GOLD 1-1/2" FLAT HEAD SCREWS (44).
- NOTE: Be sure the DRAWER BOTTOM (OO) inserts into the groove of the DRAWER BACK (MM).

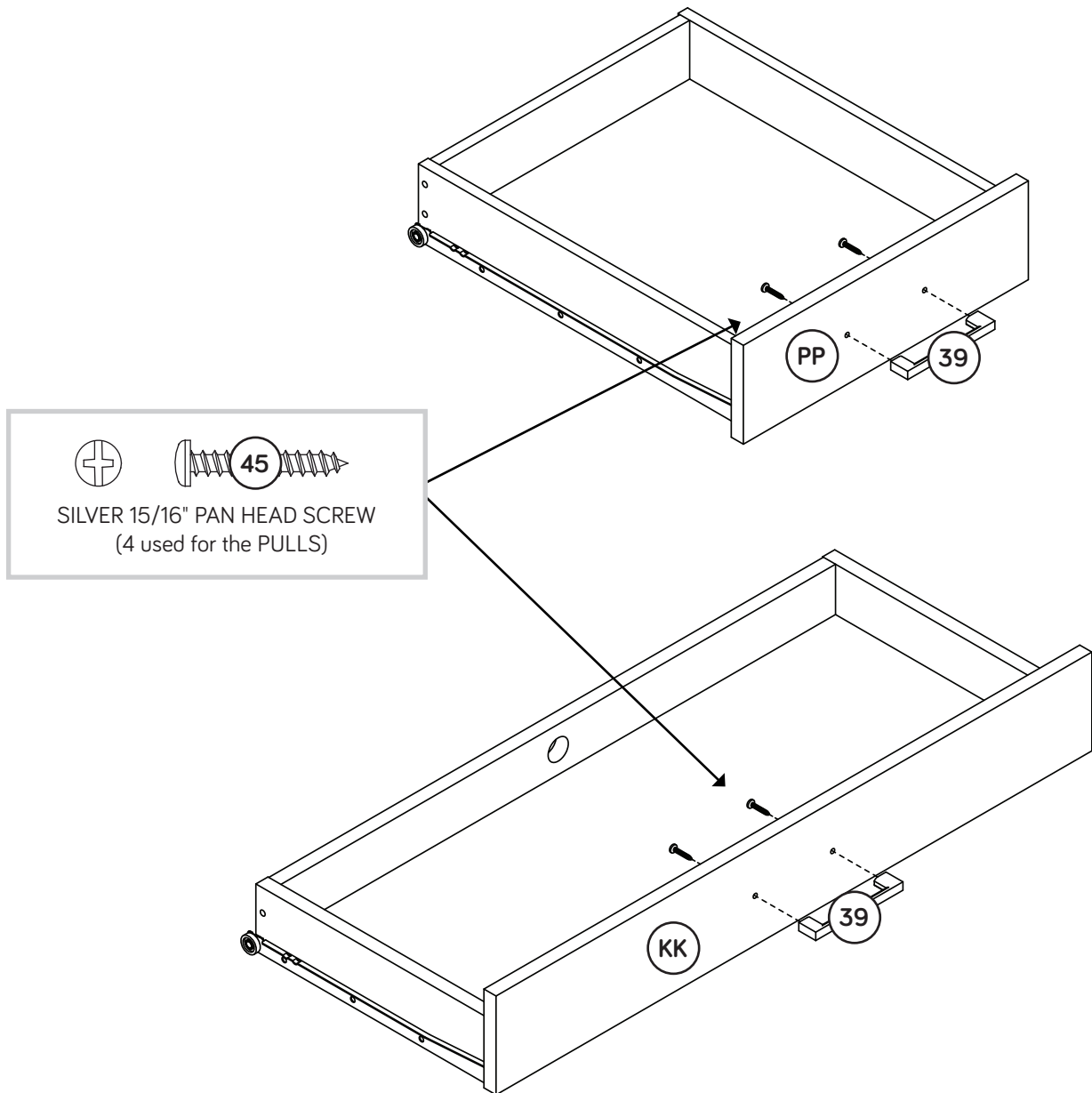
Step 16

- ✚ Turn your DRAWER with the open side down.
- ✚ Fasten the LONG DRAWER RIGHT (26) to the RIGHT DRAWER SIDE (NN) and the LONG DRAWER LEFT (27) to the LEFT DRAWER SIDE (LL). Use six GOLD 1/2" FLAT HEAD SCREWS (46).



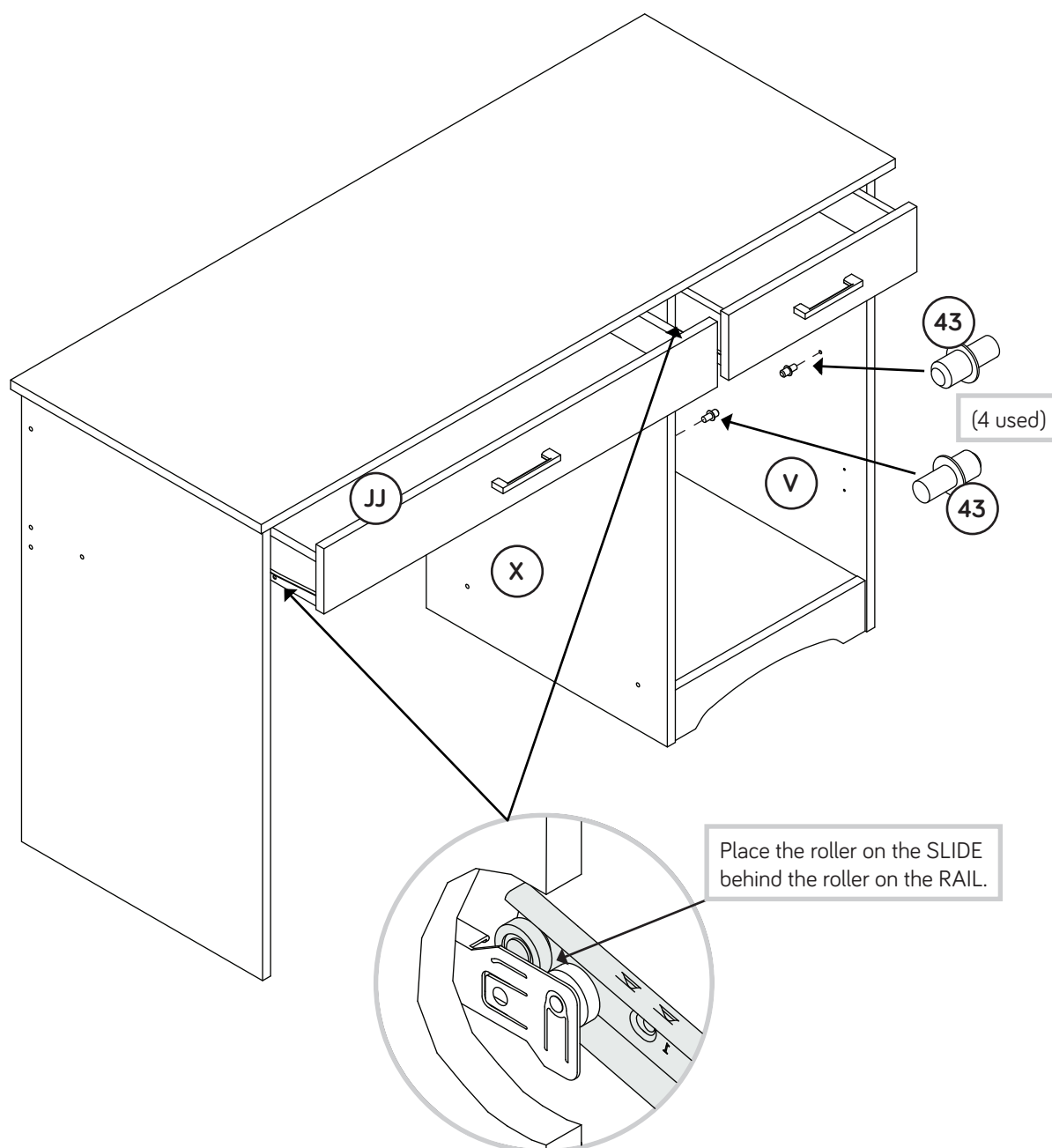
Step 17

- Fasten the PULLS (39) to the KEYBOARD FRONT (KK) and DRAWER FRONT (PP). Use four SILVER 15/16" PAN HEAD SCREWS (45).



Step 18

- ✚ Carefully stand your unit upright.
- ✚ To insert the drawer into your unit, tip the front of the drawer down and drop the rollers on the drawer behind the rollers on the unit. Lift the front of the drawer up and slide it into the unit. Repeat this step to insert the KEYBOARD SHELF (JJ).
- ✚ Insert the METAL PINS (43) into the hole locations of your choice in the RIGHT END (V) and UPRIGHT (X).



⚠ WARNING

Please use your furniture correctly and safely. Improper use can cause safety hazards, or damage to your furniture or household items. ***Carefully read the following chart.***

Look out for:	What can happen:	How to avoid the problem:
<ul style="list-style-type: none">• Overloaded shelves or drawers.• Improper loading can cause the product to be top-heavy.	<ul style="list-style-type: none">• Risk of injury.• Top-heavy furniture can tip over.• Overloaded shelves and drawers can break.	<ul style="list-style-type: none">• Never exceed the weight limits shown in the instructions.• Work from bottom to top when loading shelves and drawers. Place the heavier items on the lower shelves or in lower drawers.
<ul style="list-style-type: none">• Improperly moving furniture that is not designed and equipped with casters.	<ul style="list-style-type: none">• Furniture can tip over or break if improperly moved.• Physical injury. Furniture can be very heavy.• Breakage of tops - particularly with double pedestal furniture (drawers at both ends).	<ul style="list-style-type: none">• Unload shelves and drawers from top to bottom before moving the unit.• Do not push furniture, especially on a carpeted floor. Have a friend help you lift the item and set it in place.• Provide support to the center section of the top when lifting the furniture.
<ul style="list-style-type: none">• Placing TVs on furniture items that are not designed to support a television is hazardous.	<ul style="list-style-type: none">• Risk of injury or death. TVs can be very heavy. Plus the weight and location of the picture tube tends to make TVs unbalanced and prone to tipping forward.	<ul style="list-style-type: none">• This product is not designed to support a television.