

Arc.





CONTENTS



CONTENTS		SPECIFICATION	
05	INTRODUCTION	30	TA1 FOUR-LEG CHAIR
06	TA1 MULTIPURPOSE FOUR-LEG CHAIR	31	TA2 FOUR-LEG CHAIR WITH BRACE
08	TA2 BRACED FOUR-LEG CHAIR	32	TA3 SKID CHAIR
10	TA3 FLEXIBLE SKID CHAIR	33	TA4 REVERSE CANTILEVER
12	ARC AND THE ENVIRONMENT	34	TA5 HIGH STOOL
14	TA4 REVERSE CANTILEVER CHAIR	35	TA6 MOBILE FOUR-LEG
16	TA5 FLEXIBLE HIGH STOOL	36	TA7 & TA8 DYNAMIC 3D TILT & PERSONAL WORKSPACE
18	TA6 MOBILE FOUR-LEG CHAIR	37	TA9 & TA10 COMMUNITY WITH STORAGE BASE & PERSONAL WORKSPACE
20	HEALTH AND WELLBEING	38	TA11 & TA12 SWIVEL & PERSONAL WORKSPACE
22	TA7 & TA8 DYNAMIC 3D TILT CHAIR & PERSONAL WORKSPACE	39	FINISHES
24	TA9 & TA10 COMMUNITY CHAIR WITH STORAGE BASE & PERSONAL WORKSPACE		
26	TA11 & TA12 HEIGHT ADJUSTABLE SWIVEL CHAIR & PERSONAL WORKSPACE		



INTRODUCTION

Meet Arc.

Arc is endlessly adaptable and designed for use within multiple environments, such as the secondary and further education sectors, café and conference facilities, and the healthcare sector. Arc's compound curves provide comfort, ergonomics, and strength. The bag base and arm tablet accessories allow the creation of a personal workspace in and around the chair.

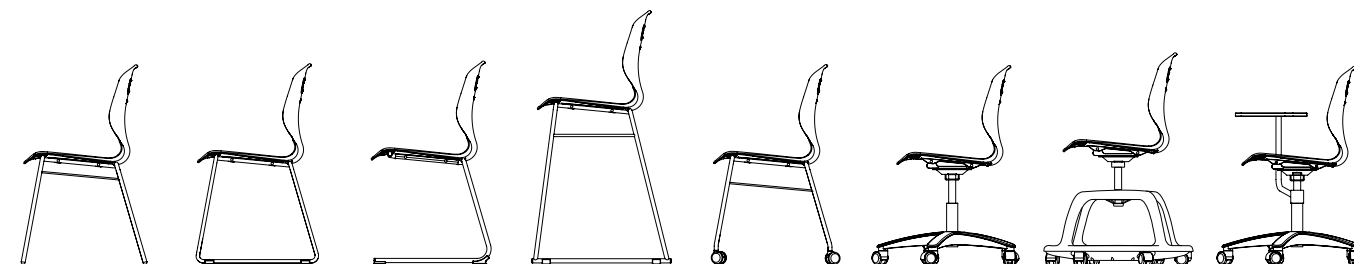
What makes Arc special?

Arc was conceived and designed in the UK. It is a new aesthetic for Titan and will define the brand for years to come. It is a robust, single shell, injection moulded chair – multipurpose and versatile with various leg sets and colour palettes from which to choose.

It is 100% recyclable, fire retardant and contains an antimicrobial additive which is clinically proven to kill >99.9% of MRSA and E Coli bacteria whilst also inhibiting fungal growth.

It is one of a limited number of products that has been certified to both Parts 1 & 2 of the education standard BS EN 1729, specifying strength, stability and ergonomic requirements.

Titan Furniture is a global provider of innovative products and services to the education market.





TA1
**MULTIPURPOSE
FOUR-LEG
CHAIR**



Four-Leg Chair
Page 30 for specification

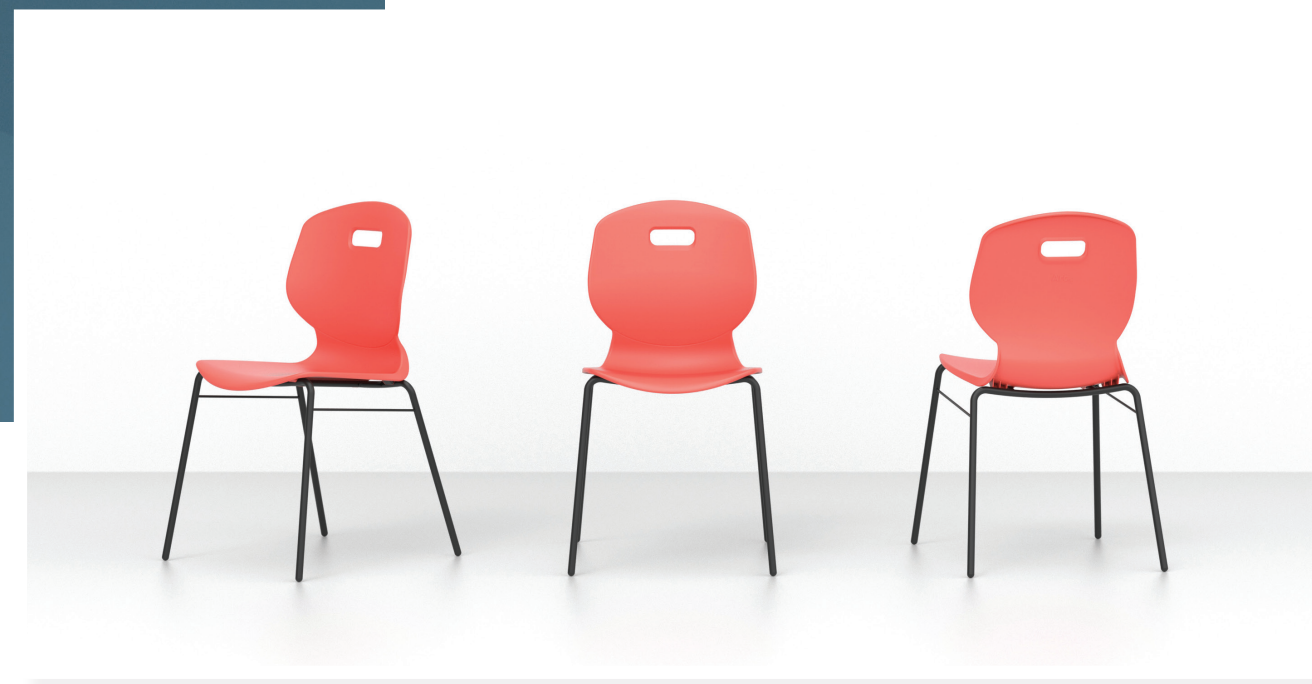
The Four-Leg Arc chair is a multipurpose product designed for conference rooms, seminar halls, education and modernised office spaces. Whatever its use, the Four-Leg is curated to add an extra level of support and comfort.



TA2
**BRACED
FOUR-LEG
CHAIR**

Four-Leg Chair with Brace
Page 31 for specification

The Four-Leg with Brace shares the same design features as the basic Four-Leg, with added strength and comfort for educational settings and workplaces. Building upon Arc's main characteristics, the Four-Leg also integrates a leg frame brace, adding to both the chair's aesthetic and the strength and stability of the product itself.





TA3
**FLEXIBLE
SKID CHAIR**



Skid Chair
Page 32 for specification

Carefully curated and manufactured for its use in conference rooms, lecture halls and even modernised office settings, the Skid Chair is truly multipurpose. Its 'skid' floor-friendly feature is part of the chair's design and overall aesthetic.



ARC AND THE ENVIRONMENT

Here at Titan, concern for the environment and the connection people have with it, is integral to our business and reflected in all our products.

We place the highest importance on creating long-lasting designs, so you can use our products for years to come. The Arc chair can be used and reused in the future through its carefully thought through engineering.

We are committed to continually improving how we protect the environment, including reducing pollution and waste as well as carefully selecting the materials used within our products. The Arc chair is 100% recyclable and fire retardant. It disassembles easily to enable effortless refurbishment in the future. During the production of Arc we minimise the amount of waste. The small amount that doesn't get used in production is made into new chairs, or other small products, by mechanically recycling the plastic.

We are passionate about supplying products like the Arc chair that support intuitive and flexible teaching environments. We recognise that understanding Titan's relationships with the environment in the design and manufacturing process has never been so important. We want to ensure that we do our part in having the smallest impact possible on the planet.

Titan has attained ISO 14001 certification which is the international standard that specifies requirements for an effective environmental management system (EMS). It provides a framework that we as an organisation can follow, rather than simply establishing environmental performance requirements.



Reverse Cantilever Chair
Page 33 for specification

Designed specifically for educational environments, the Reverse Cantilever Chair offers added comfort and legroom when sitting down. The chair has also been carefully designed to be light and easy to nest in spaces like classrooms and lecture halls.

TA4
**REVERSE
CANTILEVER
CHAIR**



TA5
**FLEXIBLE
HIGH STOOL**



Stool
Page 34 for specification

The Arc Stool is perfect for use primarily within educational settings, laboratories, cafes and lecture halls. This design gives extra legroom and additional strength in the form of leg frame braces.



TA6
**MOBILE
FOUR-LEG
CHAIR**



Mobile Chair
Page 35 for specification

This Mobile Chair is easy to integrate into flexible working environments, whether in the office or educational settings, to modernise the way these spaces look and feel. This chair gives the user the ability to move around areas with ease and reconfigure multipurpose rooms quickly.



HEALTH AND WELLBEING

People and businesses are more conscious than ever about hygiene and cleanliness.

Here at Titan, we are passionate about designing and manufacturing products focused on the needs of those that use them.

The Arc chair is easy to clean and uses an antimicrobial additive in production which kills bacteria on contact - of great importance when many people can be using the same chair each day.

Bacteria survive the longest on plastic, and as furniture designers and manufacturers, we are responsible for ensuring that the materials we use and the products we produce contribute to a healthier environment.

By using an antimicrobial additive, we effectively cut off the pathway for transmission of the various bacteria. Products finished with this formula are environmentally friendly while protecting those who use them by preventing the spread of disease.



TA7 & TA8

DYNAMIC 3D TILT CHAIR & PERSONAL WORKSPACE

Dynamic 3D Tilt & Personal Workspace

Page 36 for specification

The Dynamic 3D Tilt chair has a unique 3D mechanism that instinctively tilts forward, back and side to side with the user's weight as they work—creating a dynamic and comfortable sitting experience. It intertwines into flexible working and learning environments, whether office spaces or education environments such as universities. This swivel chair gives the user the ability to

move around areas with ease, as well as an optional arm tablet, perfect for note-taking in lecture halls and keeping your space your own.





TA9 & TA10

COMMUNITY CHAIR WITH STORAGE BASE & PERSONAL WORKSPACE



Community with Storage Base & Personal Workspace

Page 37 for specification

Designed to be highly mobile and with personal space management in mind. The storage base provides extra space for your belongings while also practising social distancing in large settings like universities and offices. The chair offers an optional arm tablet, creating a safer workspace.



TA11 & TA12
**HEIGHT
ADJUSTABLE
SWIVEL CHAIR
& PERSONAL
WORKSPACE**

**Swivel & Personal
Workspace**
Page 38 for specification

The Swivel provides the same features as the Dynamic 3D Tilt chair, with the same added comfort and moveability, except that it is height adjustable only.



The Arc chair fits perfectly in a range of settings. Whether used in cafes, universities, or modernised office spaces, the Arc chair can adapt and evolve to its many stages.

Arc comes in a range of colours and styles, edging itself away from the typical look and feel of secondary and higher education chairs. Instead of using bright primary colours, Arc is delving into new shades such as sage, coral and anthracite.

Whatever your need, Arc can fulfil it.



TA1 FOUR-LEG CHAIR SPECIFICATION

The Four-Leg Arc chair is a multipurpose product designed for conference rooms, seminar halls, education and modernised office spaces. Whatever its use, the Four-Leg is curated to add an extra level of support and comfort.

- Conforms to BS EN 1729: Part 1&2 - Strength, Stability and Ergonomics
- Fire Resistant
- Antimicrobial
- Lightweight and easy to move
- Stackable up to 10 high
- Easy to clean and tested for use with chlorine based cleaners
- 5 year guarantee

CODES:

TA1_5 (size 5)
TA1_6 (size 6)

DIMENSIONS:

	Overall	Seat	Back
TA1_5	485w 520d 820h	425w 410d 430h	405w 425h
TA1_6	490w 535d 855h	425w 410d 460h	405w 425h



TA2 FOUR-LEG CHAIR WITH BRACE SPECIFICATION

Like the Four-Leg chair but with an extra support brace for extra strength. Ideal for conference rooms, seminar halls, education and modernised office spaces.

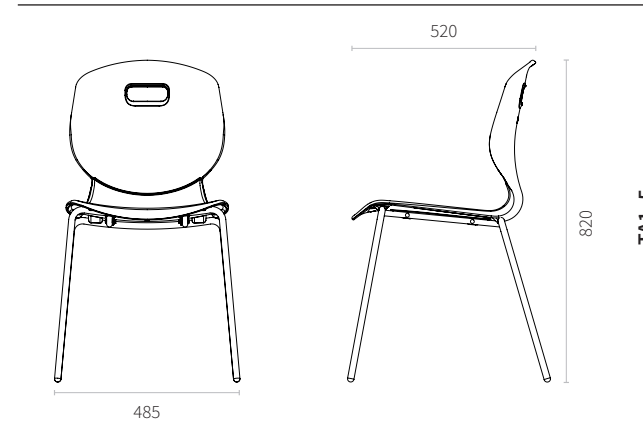
- Conforms to BS EN 1729: Part 1&2 - Strength, Stability and Ergonomics
- Fire Resistant
- Antimicrobial
- Lightweight and easy to move
- Stackable up to 4 high
- Easy to clean and tested for use with chlorine based cleaners
- 5 year guarantee

CODES:

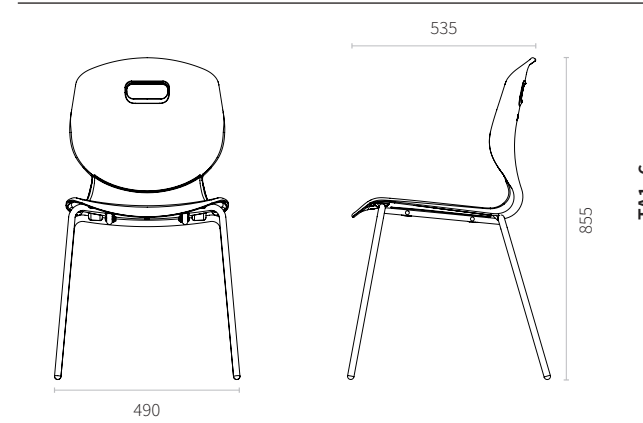
TA2_5 (size 5)
TA2_6 (size 6)

DIMENSIONS:

	Overall	Seat	Back
TA2_5	485w 520d 820h	425w 410d 430h	405w 425h
TA2_6	490w 535d 855h	425w 410d 460h	405w 425h



TA1_5



TA1_6

MATERIALS:

Seat Shell - PP1100 + 4% Glass Fibre
Base/Frame Materials - Powder Coated Steel

CERTIFICATION:

Conforms to BS EN 1729 Part 1 & 2, Antimicrobial

FIRE RET LEVEL:

UL94 V-2

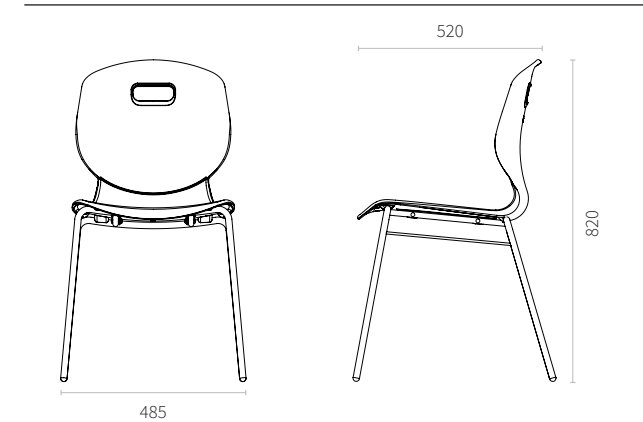
WEIGHT:

Size 5 - 4.1kg
Size 6 - 4.2kg

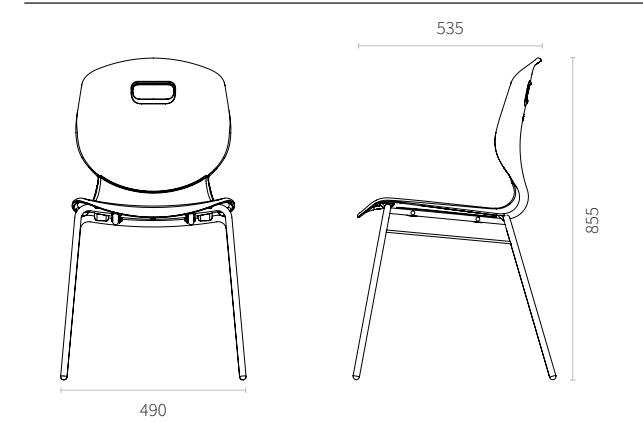
SHELL COLOURS



FRAME COLOURS



TA2_5



TA2_6

MATERIALS:

Seat Shell - PP1100 + 4% Glass Fibre
Base/Frame Materials - Powder Coated Steel

CERTIFICATION:

Conforms to BS EN 1729 Part 1 & 2, Antimicrobial

FIRE RET LEVEL:

UL94 V-2

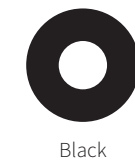
WEIGHT:

Size 5 - 4.1kg
Size 6 - 4.2kg

SHELL COLOURS



FRAME COLOURS





TA3 SKID CHAIR SPECIFICATION

The Skid Chair has been carefully curated and manufactured for its use within settings such as conference rooms, lecture halls and modernised office spaces.

- 'Skid' floor friendly leg frame
- Conforms to BS EN 1729: Part 1 & 2 - Strength, Stability and Ergonomics
- 100% Recyclable
- Fire Resistant
- Antimicrobial
- Lightweight and easy to move
- Stackable up to 8 high
- Easy to clean and tested for use with chlorine based cleaners
- 5 year guarantee

CODES:

TA3_5 (size 5)
TA3_6 (size 6)

DIMENSIONS:

	Overall	Seat	Back
TA3_5	520w 500d 825h	425w 410d 430h	405w 425h
TA3_6	530w 545d 855h	425w 410d 460h	405w 425h



TA4 REVERSE CANTILEVER SPECIFICATION

The Reverse Cantilever chair has been designed specifically for its use in educational environments.

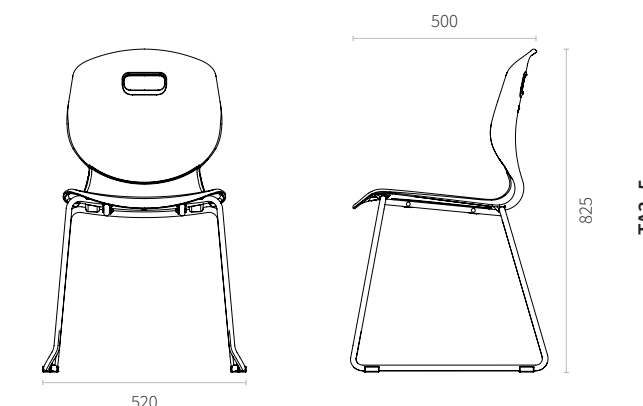
- Easily stackable on tables for cleaning
- Conforms to BS EN 1729: Part 1 & 2 - Strength, Stability and Ergonomics
- 100% Recyclable
- Fire Resistant
- Antimicrobial
- Lightweight and easy to move
- Stackable up to 6 high
- Easy to clean and tested for use with chlorine based cleaners
- 25mm diameter frame
- 5 year guarantee

CODES:

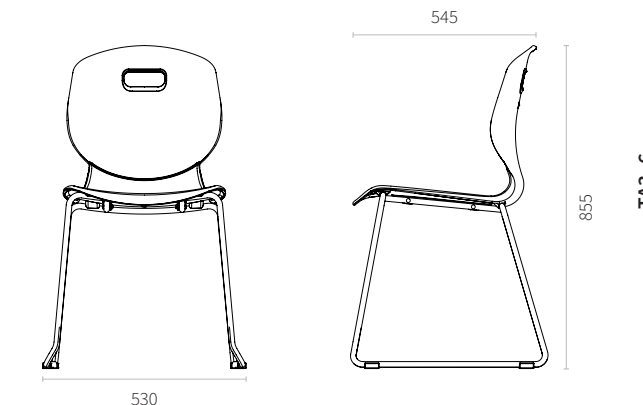
TA4_5 (size 5)
TA4_6 (size 6)

DIMENSIONS:

	Overall	Seat	Back
TA4_5	497w 515d 830h	425w 410d 430h	405w 425h
TA4_6	497w 520d 860h	425w 410d 460h	405w 425h



TA3_5



TA3_6

MATERIALS:

Seat Shell - PP1100 + 4% Glass Fibre
Base/Frame Materials - Powder Coated Steel

CERTIFICATION:

Conforms to BS EN 1729 Part 1 & 2, Antimicrobial

FIRE RET LEVEL:

UL94 V-2

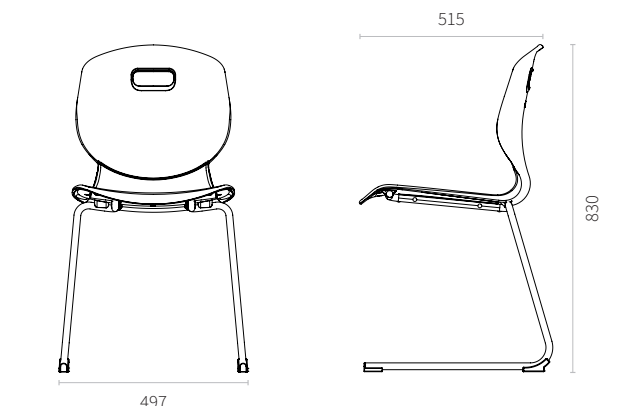
WEIGHT:

Size 5 - 4.3kg
Size 6 - 4.4kg

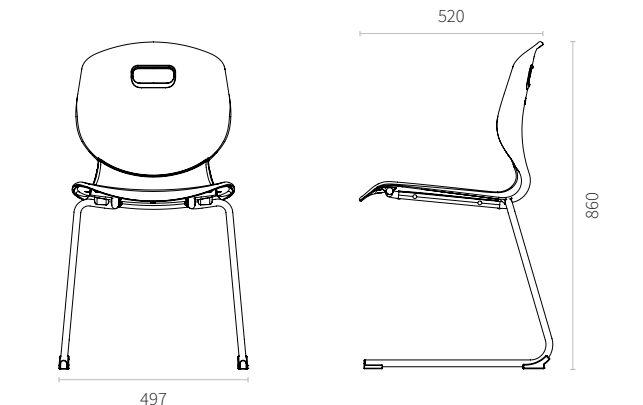
SHELL COLOURS



FRAME COLOURS



TA4_5



TA4_6

MATERIALS:

Seat Shell - PP1100 + 4% Glass Fibre
Base/Frame Materials - Powder Coated Steel

CERTIFICATION:

Conforms to BS EN 1729 Part 1 & 2, Antimicrobial

FIRE RET LEVEL:

UL94 V-2

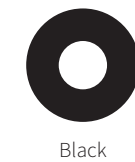
WEIGHT:

Size 5 - 4.1kg
Size 6 - 4.2kg

SHELL COLOURS



FRAME COLOURS





TA5 HIGH STOOL SPECIFICATION

The High Stool has been moulded and manufactured for use in laboratories, cafes and modernised lecture halls.

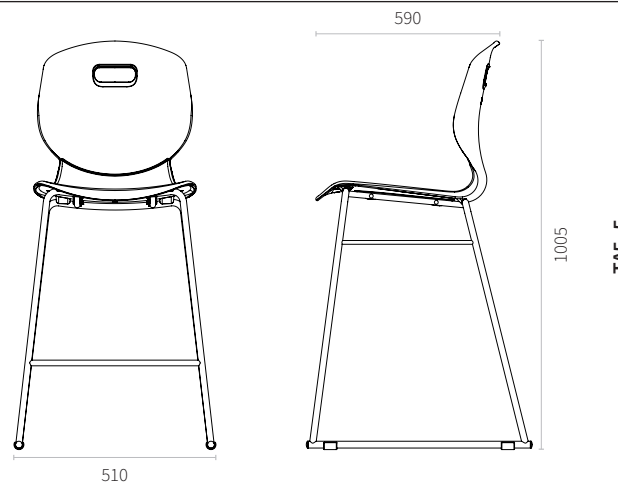
- Skid base
- Conforms to BS EN 1729: Part 1 & 2 - Strength, Stability and Ergonomics
- Leg frame brace support
- 100% Recyclable
- Fire Resistant
- Antimicrobial
- Lightweight and easy to move
- Stackable up to 4 high
- Easy to clean and tested for use with chlorine based cleaners
- 5 year guarantee

CODES:

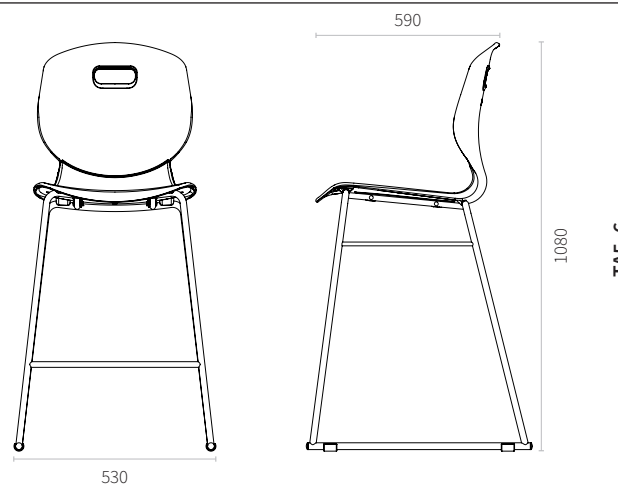
TA5_5 (size 5)
TA5_6 (size 6)

DIMENSIONS:

	Overall	Seat	Back
TA5_5	510w 590d 1005h	425w 410d 610h	405w 425h
TA5_6	530w 590d 1080h	425w 410d 685h	405w 425h



TA5_5



TA5_6

MATERIALS:

Seat Shell - PP1100 + 4% Glass Fibre
Base/Frame Materials - Powder Coated Steel

CERTIFICATION:

Conforms to BS EN 1729 Part 1 & 2, Antimicrobial

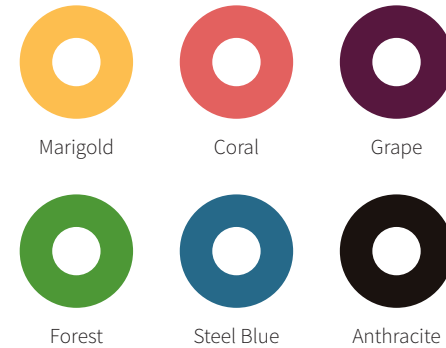
FIRE RET LEVEL:

UL94 V-2

WEIGHT:

Size 5 - 6.0kg
Size 6 - 6.1kg

SHELL COLOURS



FRAME COLOURS



TA6 MOBILE FOUR-LEG SPECIFICATION

Whether you are looking to modernise office spaces or educational settings to enhance productivity, or want to improve the aesthetic of the setting, the Mobile Four-Leg chair has been designed to fulfill all of your needs.

- Mobile and easy to move
- Conforms to BS EN 1729: Part 1 & 2 - Strength, Stability and Ergonomics
- 100% Recyclable
- Fire Resistant
- Antimicrobial
- Easy to clean and tested for use with chlorine based cleaners
- 5 year guarantee

CODES:

TA6 (size 6)

DIMENSIONS:

	Overall	Seat	Back
TA6	480w 535d 855h	425w 410d 460h	405w 425h



TA6

MATERIALS:

Seat Shell - PP1100 + 4% Glass Fibre
Base/Frame Materials - Powder Coated Steel

CERTIFICATION:

Conforms to BS EN 1729 Part 1 & 2, Antimicrobial

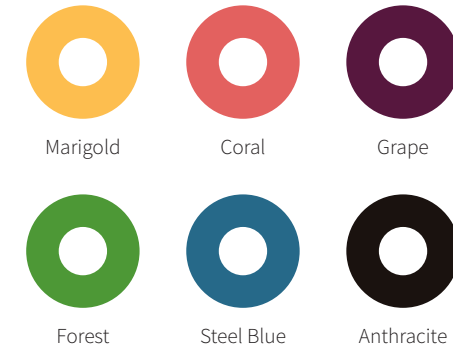
FIRE RET LEVEL:

UL94 V-2

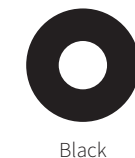
WEIGHT:

Size 6 - 4.6kg

SHELL COLOURS



FRAME COLOURS



TA7 & TA8 DYNAMIC 3D TILT & PERSONAL WORKSPACE SPECIFICATION

Designed to intertwine into flexible working and learning environments, the Dynamic 3D Tilt is perfect for those wanting to keep their space their own.

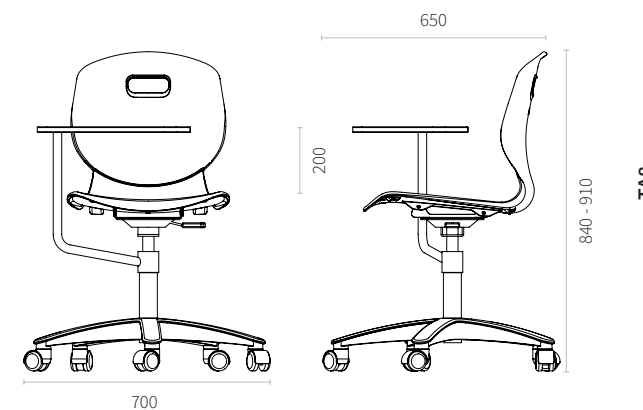
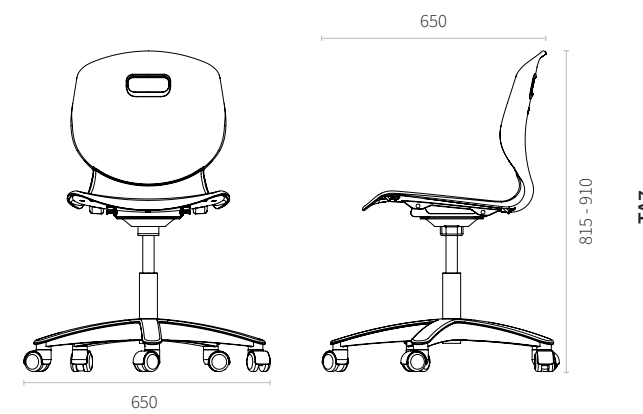
- 4° side to side ,10° backwards and 4° front tilt
- Conforms to BS EN 1729: Part 1 & 2 - Strength, Stability and Ergonomics
- Height adjustable
- Optional Arm Tablet
- 100% Recyclable
- Fire Resistant
- Antimicrobial
- 5 year guarantee

CODES:

TA7 (size 6)
TA8 with personal workspace tablet (size 6)

DIMENSIONS:

	Overall	Seat	Back
TA7	650w 650d 815-910h	425w 410d 445-538h	405w 425h
TA8	700w 650d 840-910h	425w 410d 470-535h	405w 425h
Tablet	365w 250d		



MATERIALS:

Seat Shell - PP1100 + 4% Glass Fibre
Base/Frame Materials - Nylon base

CERTIFICATION:

Conforms to BS EN 1729 Part 1 & 2, Antimicrobial

FIRE RET LEVEL:

UL94 V-2

WEIGHT:

TA7 - 7.3kg
TA8 - 10kg

SHELL COLOURS



FRAME COLOURS



TA9 & TA10 COMMUNITY WITH STORAGE BASE & PERSONAL WORKSPACE SPECIFICATION

The Bag Base and additional arm tablet chair has been thoughtfully designed with personal space management in mind. Perfect for collaboration.

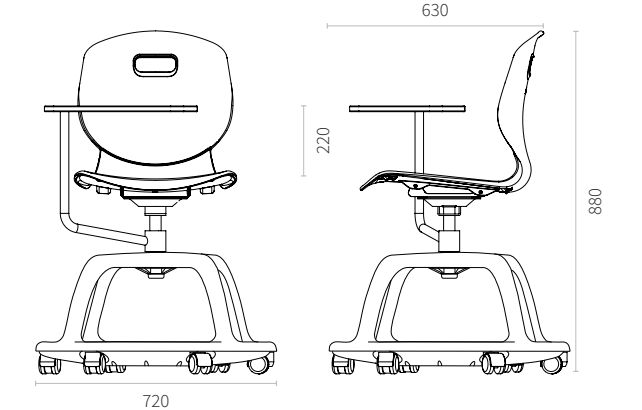
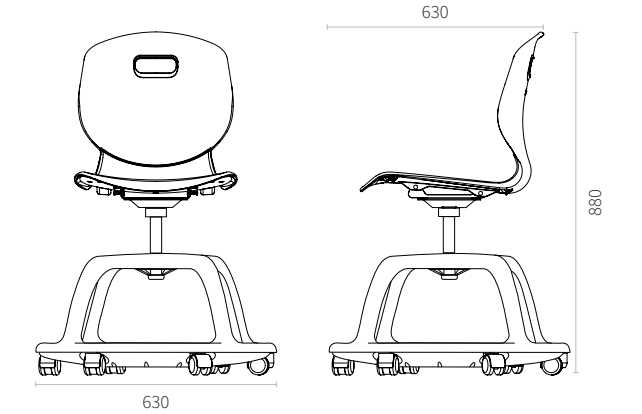
- Conforms to BS EN 1729: Part 1 & 2 - Strength, Stability and Ergonomics
- Optional Arm Tablet
- 100% Recyclable
- Fire Resistant
- Antimicrobial
- Easy to clean and tested for use with chlorine based cleaners
- 5 year guarantee

CODES:

TA9 (size 6)
TA10 with personal workspace tablet (size 6)

DIMENSIONS:

	Overall	Seat	Back
TA9	630w 630d 880h	425w 410d 470h	405w 425h
TA10	720w 650d 880h	425w 410d 470h	405w 425h
Tablet	365w 250d		



MATERIALS:

Seat Shell - PP1100 + 4% Glass Fibre
Base/Frame Materials - Polypropylene base

CERTIFICATION:

Conforms to BS EN 1729 Part 1 & 2, Antimicrobial

FIRE RET LEVEL:

UL94 V-2

WEIGHT:

TA9 - 7.3kg
TA10 - 10.9kg

SHELL COLOURS



FRAME COLOURS





TA11 & TA12 SWIVEL & PERSONAL WORKSPACE SPECIFICATION

The swivel provides the same features as the Dynamic 3D tilt chair, with the same added comfort and moveability, except that it is height adjustable only.

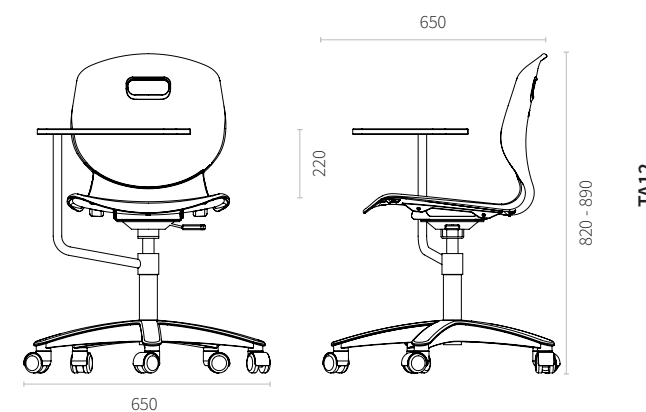
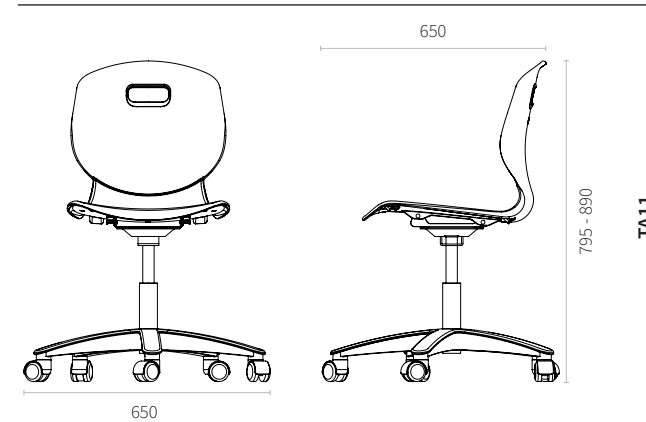
- Conforms to BS EN 1729: Part 1 & 2 - Strength, Stability and Ergonomics
- Optional Arm Tablet
- 100% Recyclable
- Fire Resistant
- Antimicrobial
- Easy to clean and tested for use with chlorine based cleaners
- 5 year guarantee

CODES:

TA11 (size 6)
TA12 with personal workspace tablet (size 6)

DIMENSIONS:

	Overall	Seat	Back
TA11	650w 650d 795-890h	425w 410d 795-890h	405w 425h
TA12	650w 650d 820-890h	425w 410d 820-890h	405w 425h
Tablet	365w 250d		



MATERIALS:

Seat Shell - PP1100 + 4% Glass Fibre
Base/Frame Materials - Nylon base

CERTIFICATION:

Conforms to BS EN 1729 Part 1 & 2, Antimicrobial

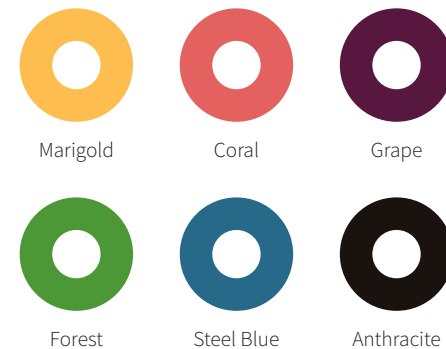
FIRE RET LEVEL:

UL94 V-2

WEIGHT:

TA11 - 7.3kg
TA12 - 10kg

SHELL COLOURS



FRAME COLOURS

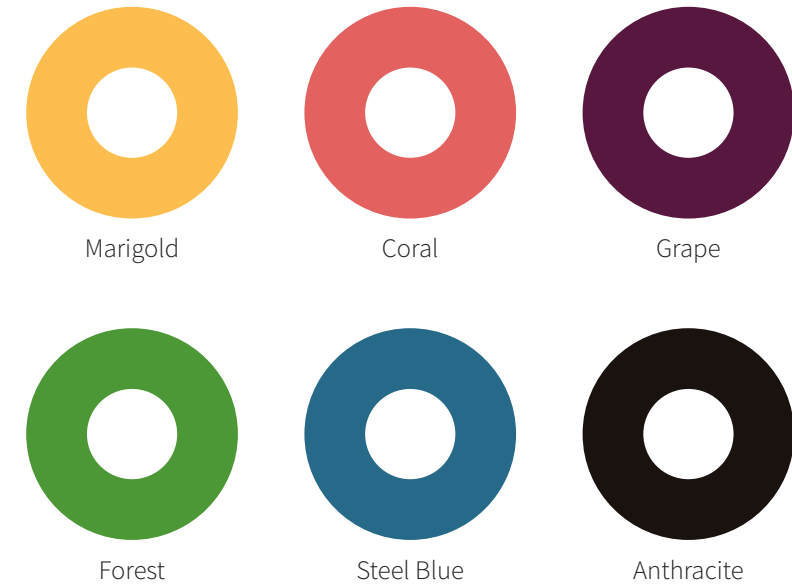


FINISHES

Our finishes are designed for ease of coordination and use, abundance of choice and thoughtfulness to the environment.

The Arc chair's design is the aesthetic that will define the Titan brand for years to come, refreshing and overhauling the way we look at improving and modernising educational settings.

Below we have listed all colour finishes available with the Arc chair.





Arc.

by **titan** furniture

Titan Furniture,
1300 Aztec West,
Park Avenue, Aztec West,
Bristol, BS32 4RX
t: 0845 130 8022
e: sales@tcgroupuk.com
w: arc-chair.com