

Assembly
Instructions for
Return on Left

L-Shaped Desk

Clifton Place Collection | Model 5421120

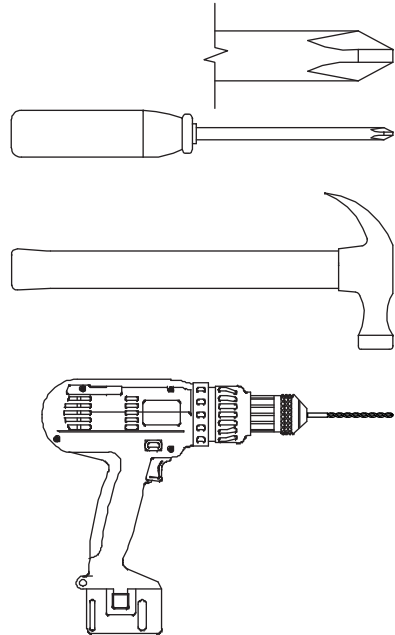
NOTE: THIS INSTRUCTION BOOKLET CONTAINS **IMPORTANT** SAFETY INFORMATION.

PLEASE READ AND KEEP FOR FUTURE REFERENCE.

Table of Contents

Assembly Tools Required

| | |
|-------------------------|-------|
| Part Identification | 2-3 |
| Hardware Identification | 4-5 |
| Assembly Steps | 6-58 |
| Français | 59-65 |
| Español | 66-72 |
| Safety | 73-74 |
| Warranty | 75 |



No. 2 Phillips Screwdriver
Tip Shown Actual Size

Hammer
Not actual size 😊

Electric drill with 3/16" bit
(ONLY in indicated step)

Part Identification

Now you know
our ABCs.

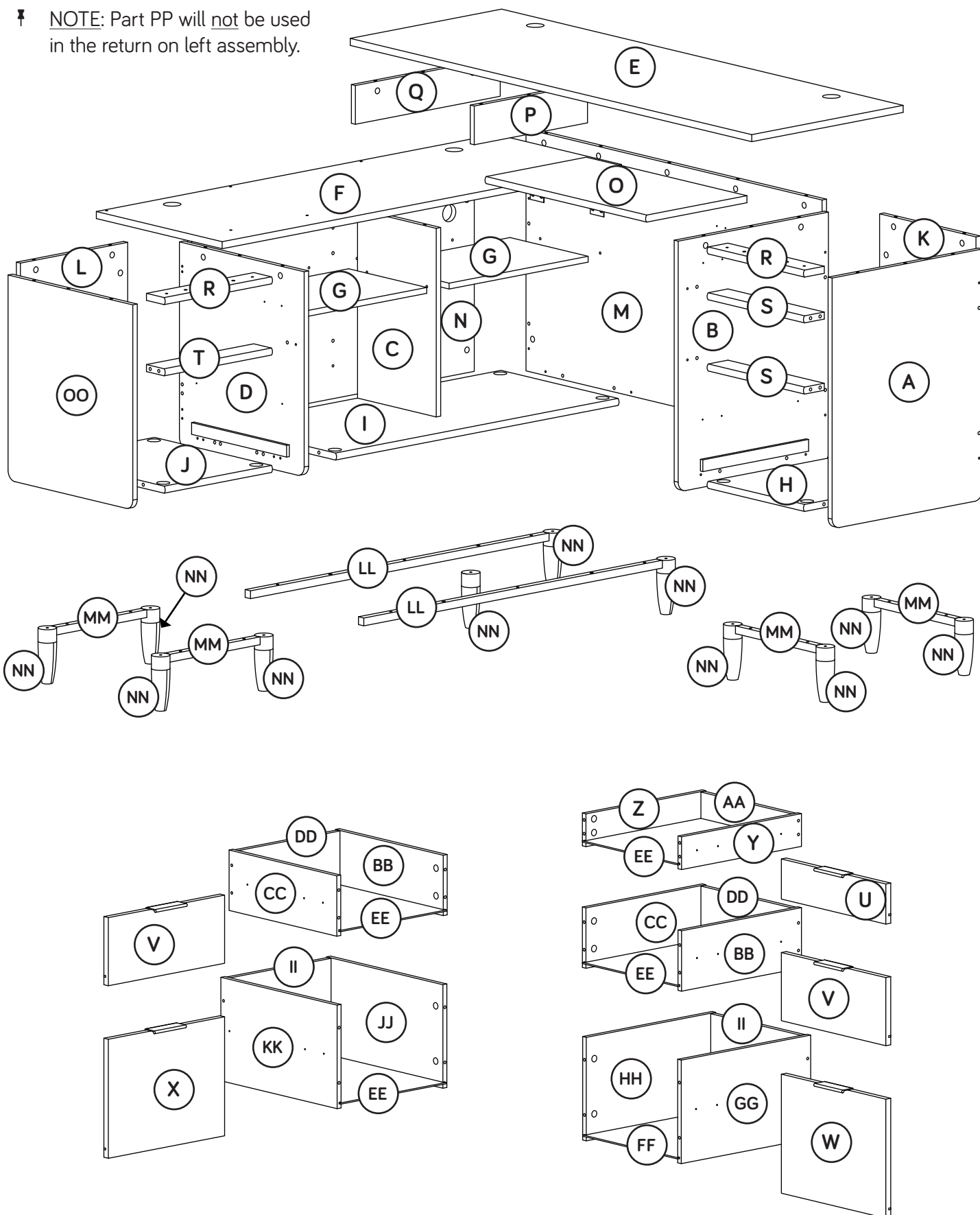


⚠ While not all parts are labeled, some of the parts will have a label or an inked letter on the edge to help distinguish similar parts from each other. Use this part identification to help identify similar parts.

| | | | | | |
|---|-------------------------|----|-----------------------------|----|------------------------------|
| A | RIGHT END (1) | O | KEYBOARD SHELF (1) | CC | LEFT DRAWER SIDE (2) |
| B | LEFT END (1) | P | SHORT UPRIGHT (1) | DD | DRAWER BACK (2) |
| C | UPRIGHT (1) | Q | LONG UPRIGHT (1) | EE | DRAWER BOTTOM (4) |
| D | RETURN UPRIGHT (1) | R | TOP RAIL (2) | FF | LARGE DRAWER BOTTOM (1) |
| E | TOP (1) | S | BRACE (2) | GG | LARGE RIGHT DRAWER SIDE (1) |
| F | RETURN TOP (1) | T | RETURN BRACE (1) | HH | LARGE LEFT DRAWER SIDE (1) |
| G | SHELF (2) | U | SMALL DRAWER FRONT (1) | II | LARGE DRAWER BACK (2) |
| H | SMALL BOTTOM (1) | V | DRAWER FRONT (2) | JJ | RETURN RIGHT DRAWER SIDE (1) |
| I | BOTTOM (1) | W | LARGE DRAWER FRONT (1) | KK | RETURN LEFT DRAWER SIDE (1) |
| J | RETURN SMALL BOTTOM (1) | X | RETURN DRAWER FRONT (1) | LL | LONG BOTTOM RAIL (2) |
| K | SMALL BACK (1) | Y | SMALL RIGHT DRAWER SIDE (1) | MM | BOTTOM RAIL (4) |
| L | RETURN SMALL BACK (1) | Z | SMALL LEFT DRAWER SIDE (1) | NN | FOOT (11) |
| M | BACK (1) | AA | SMALL DRAWER BACK (1) | OO | RETURN LEFT END (1) |
| N | RETURN BACK (1) | BB | RIGHT DRAWER SIDE (2) | PP | RETURN RIGHT END (1) |

Part Identification

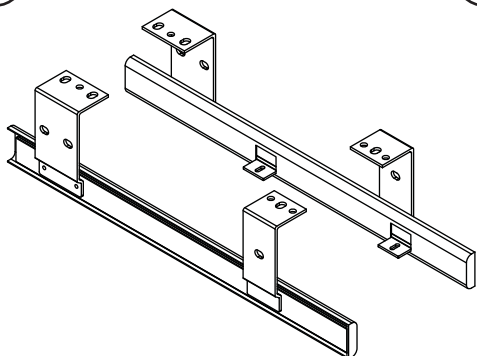
† NOTE: Part PP will not be used in the return on left assembly.



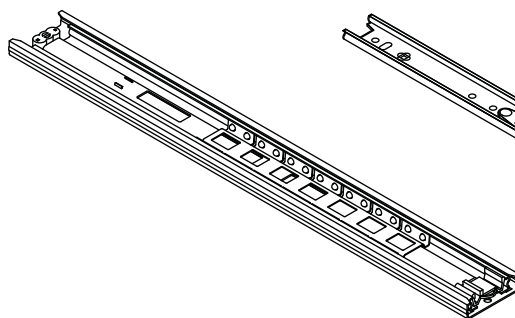
Hardware Identification

† Screws are shown actual size. You may receive extra hardware with your unit.

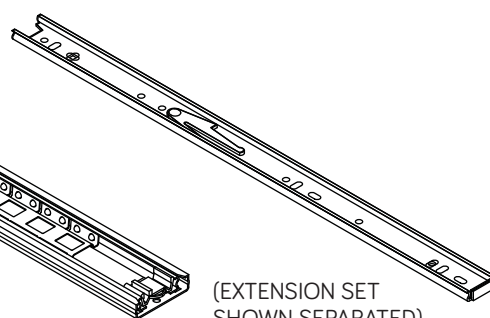
1 SHELF SLIDER SET - 1



2 LONG EXTENSION RAIL - 2

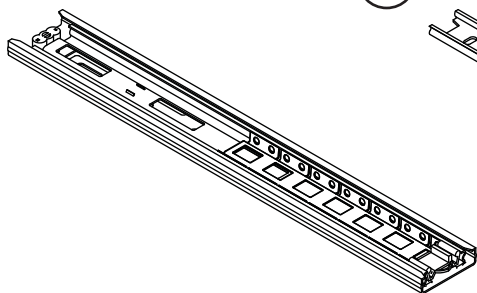


3 LONG EXTENSION SLIDE - 2

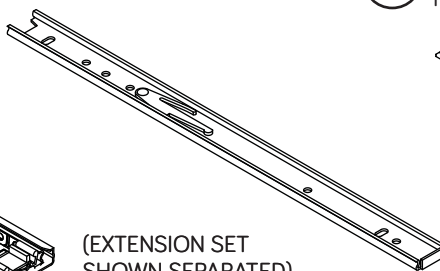


(EXTENSION SET SHOWN SEPARATED)

4 EXTENSION RAIL - 2

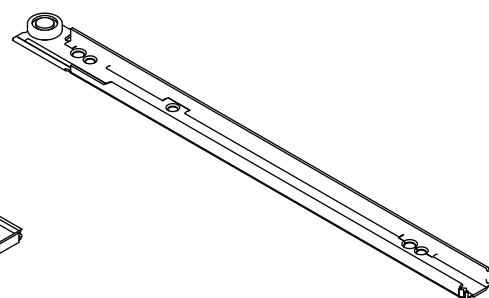


5 EXTENSION SLIDE - 2

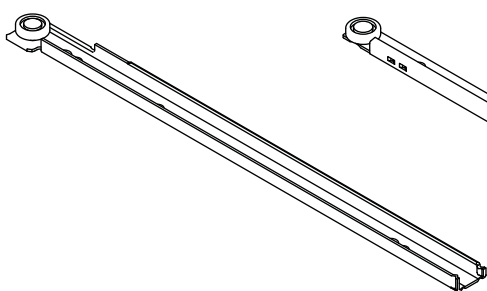


(EXTENSION SET SHOWN SEPARATED)

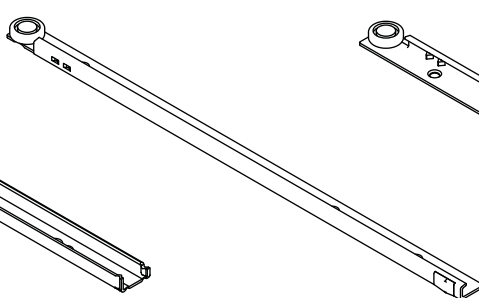
6 RIGHT CABINET RAIL - 3



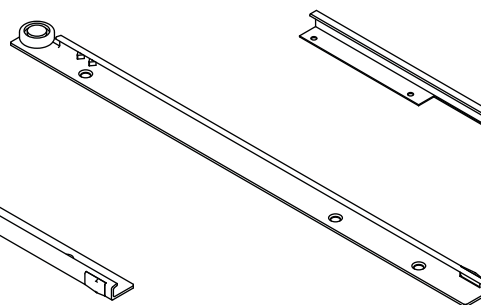
7 LEFT CABINET RAIL - 3



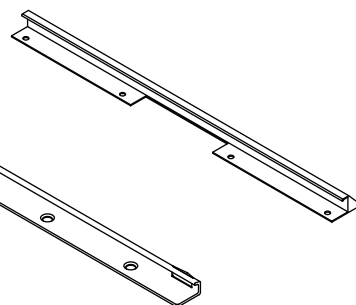
8 RIGHT DRAWER SLIDE - 3



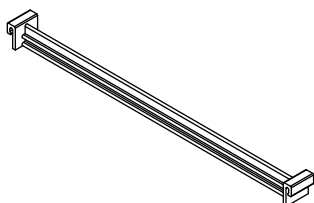
9 LEFT DRAWER SLIDE - 3



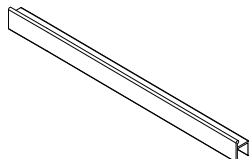
10 FRONT FILE GLIDE - 1



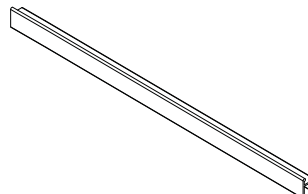
11 FILE HANGER - 4



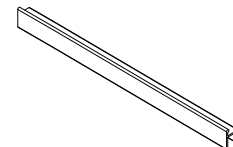
12 BACK FILE GLIDE - 1



13 LONG FILE GLIDE - 2



14 SHORT FILE GLIDE - 2



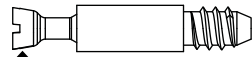
Hardware Identification

† Screws are shown actual size. You may receive extra hardware with your unit.

15 LARGE HIDDEN CAM - 65



16 ANGLED HEAD CAM SCREW - 65

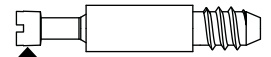


Angled head

17 SMALL HIDDEN CAM - 20



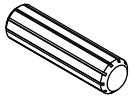
18 STRAIGHT HEAD CAM SCREW - 20



Straight head

(Do not open parts 17 and 18 until you are ready to assemble the drawers.)

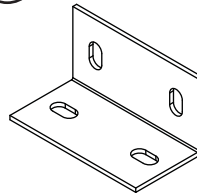
19 LONG WOOD DOWEL - 40



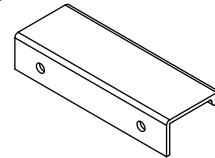
20 SHORT WOOD DOWEL - 12



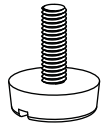
21 BRACKET - 2



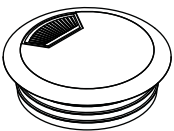
22 PULL - 5



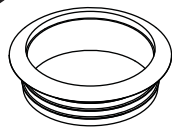
23 ADJUSTABLE GLIDE - 11



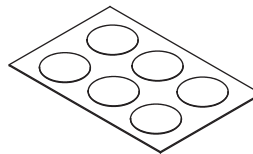
24 GROMMET WITH CAP - 4



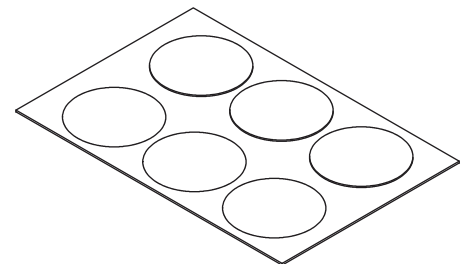
25 GROMMET - 4



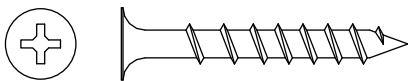
26 APPLIQUE CARD - 1



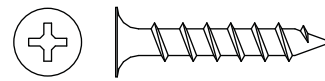
27 LARGE APPLIQUE CARD - 1



28 BLACK 1-1/2" FLAT HEAD SCREW - 44



29 BLACK 1-1/8" FLAT HEAD SCREW - 18



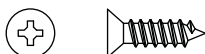
30 BLACK 9/16" LARGE HEAD SCREW - 4



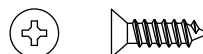
31 BLACK 1/2" PAN HEAD SCREW - 40



32 BLACK 1/2" FLAT HEAD SCREW - 36



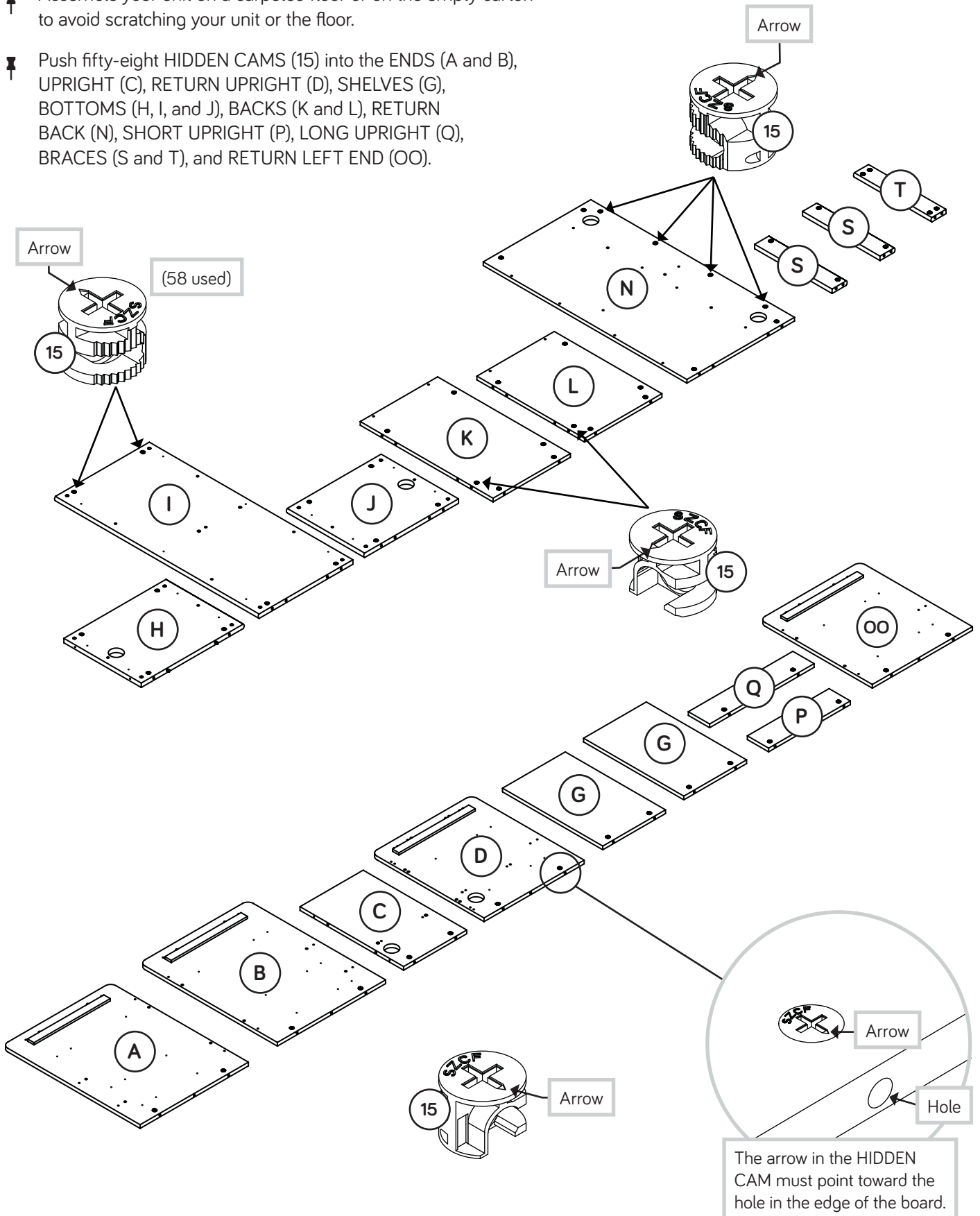
33 SILVER 1/2" FLAT HEAD SCREW - 10



Step 1

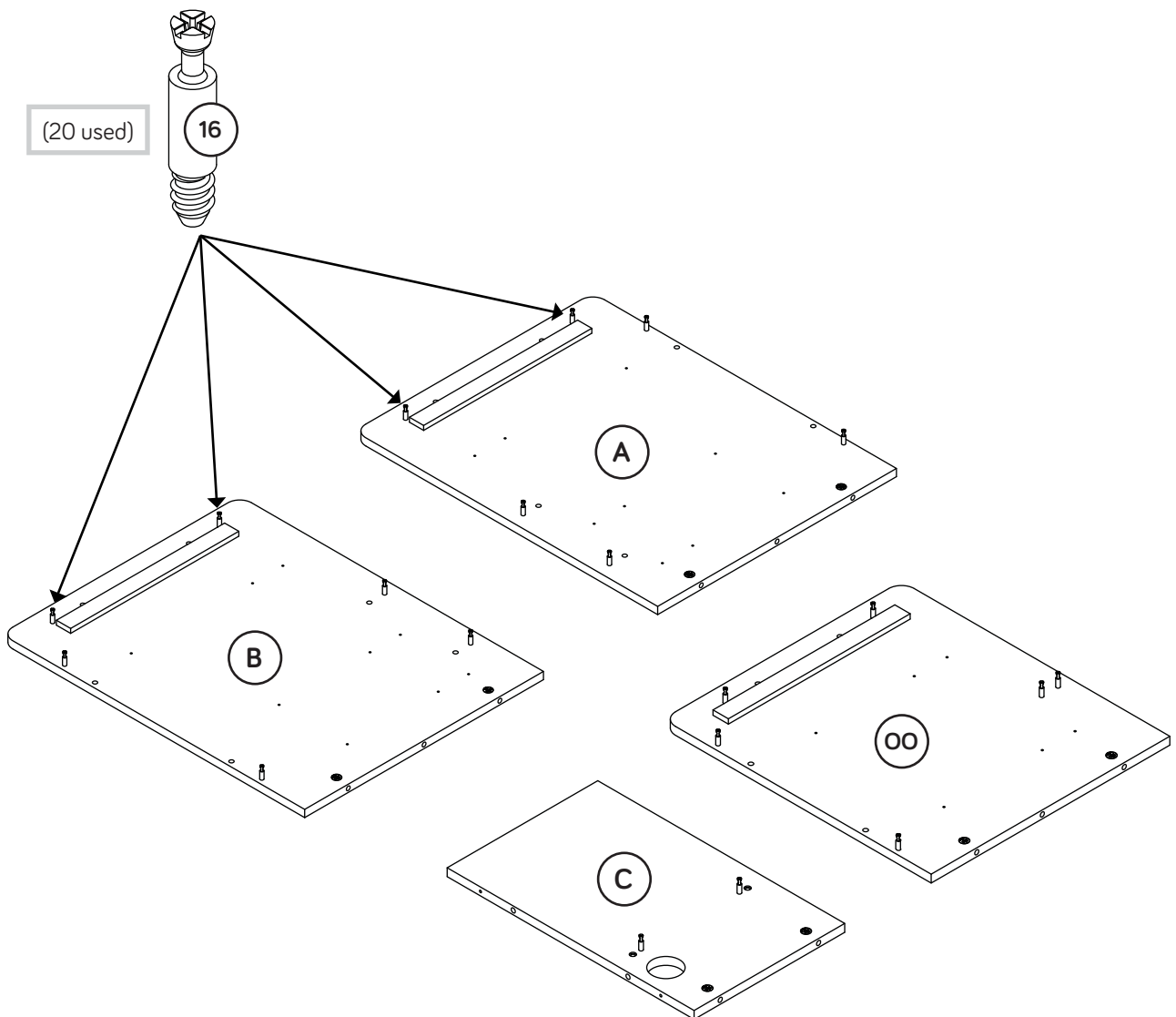
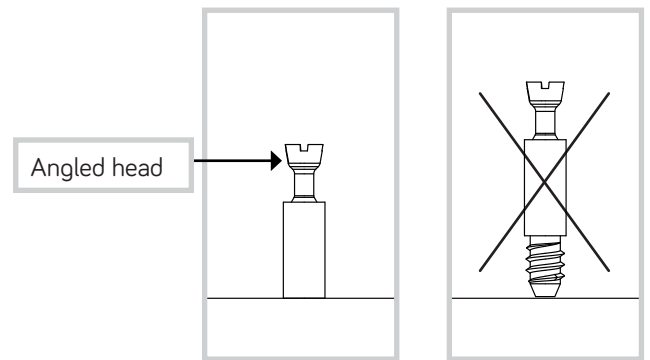
✚ Assemble your unit on a carpeted floor or on the empty carton to avoid scratching your unit or the floor.

✚ Push fifty-eight HIDDEN CAMS (15) into the ENDS (A and B), UPRIGHT (C), RETURN UPRIGHT (D), SHELVES (G), BOTTOMS (H, I, and J), BACKS (K and L), RETURN BACK (N), SHORT UPRIGHT (P), LONG UPRIGHT (Q), BRACES (S and T), and RETURN LEFT END (OO).



Step 2

Turn twenty ANGLED HEAD CAM SCREWS (16) into the exact holes shown in the ENDS (A and B), UPRIGHT (C), and RETURN LEFT END (OO).

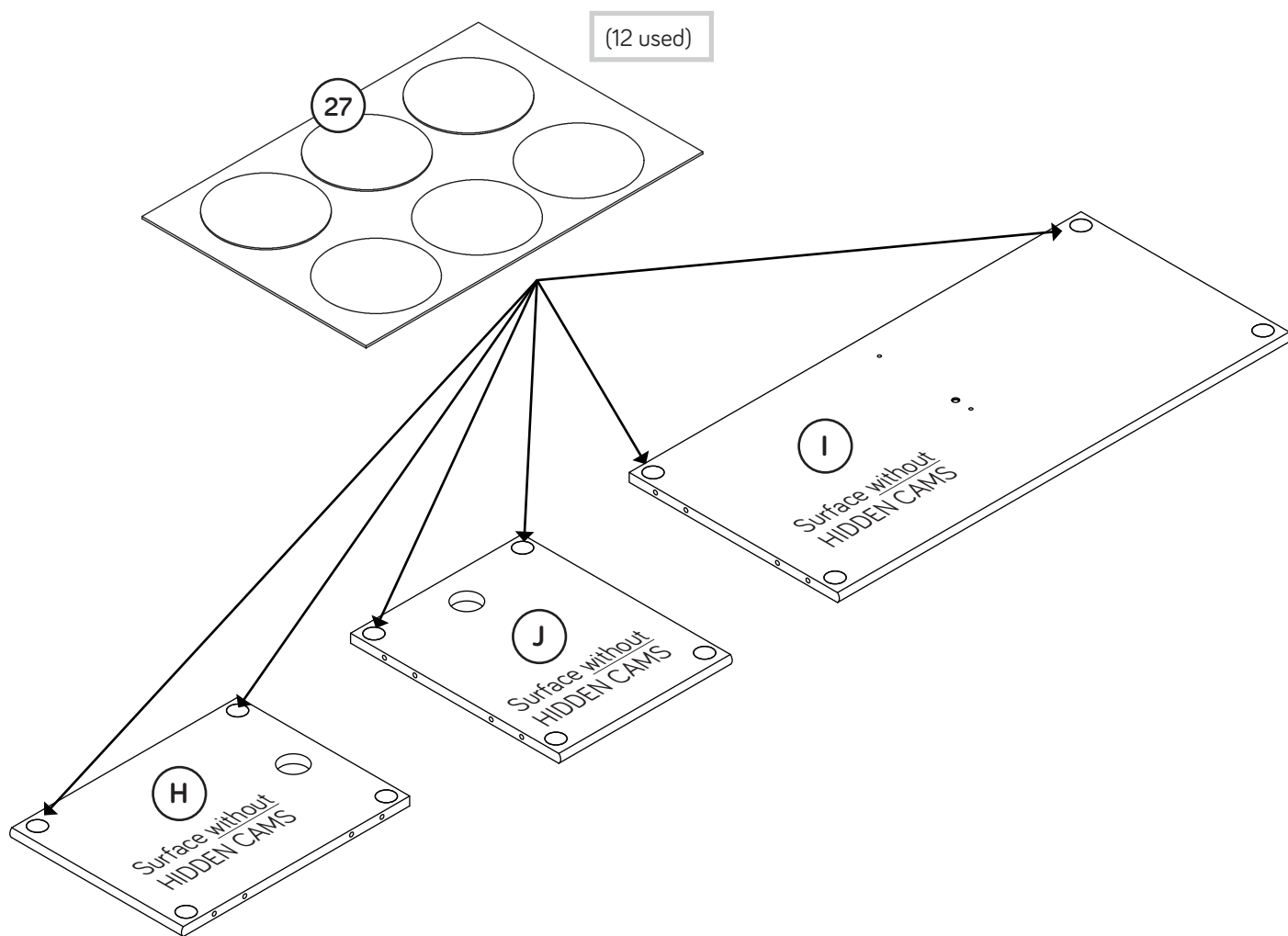


Step 3

- Peel the STICKERS from the LARGE APPLIQUE CARD (27) and stick one onto each metal insert in the BOTTOMS (H, I and J).

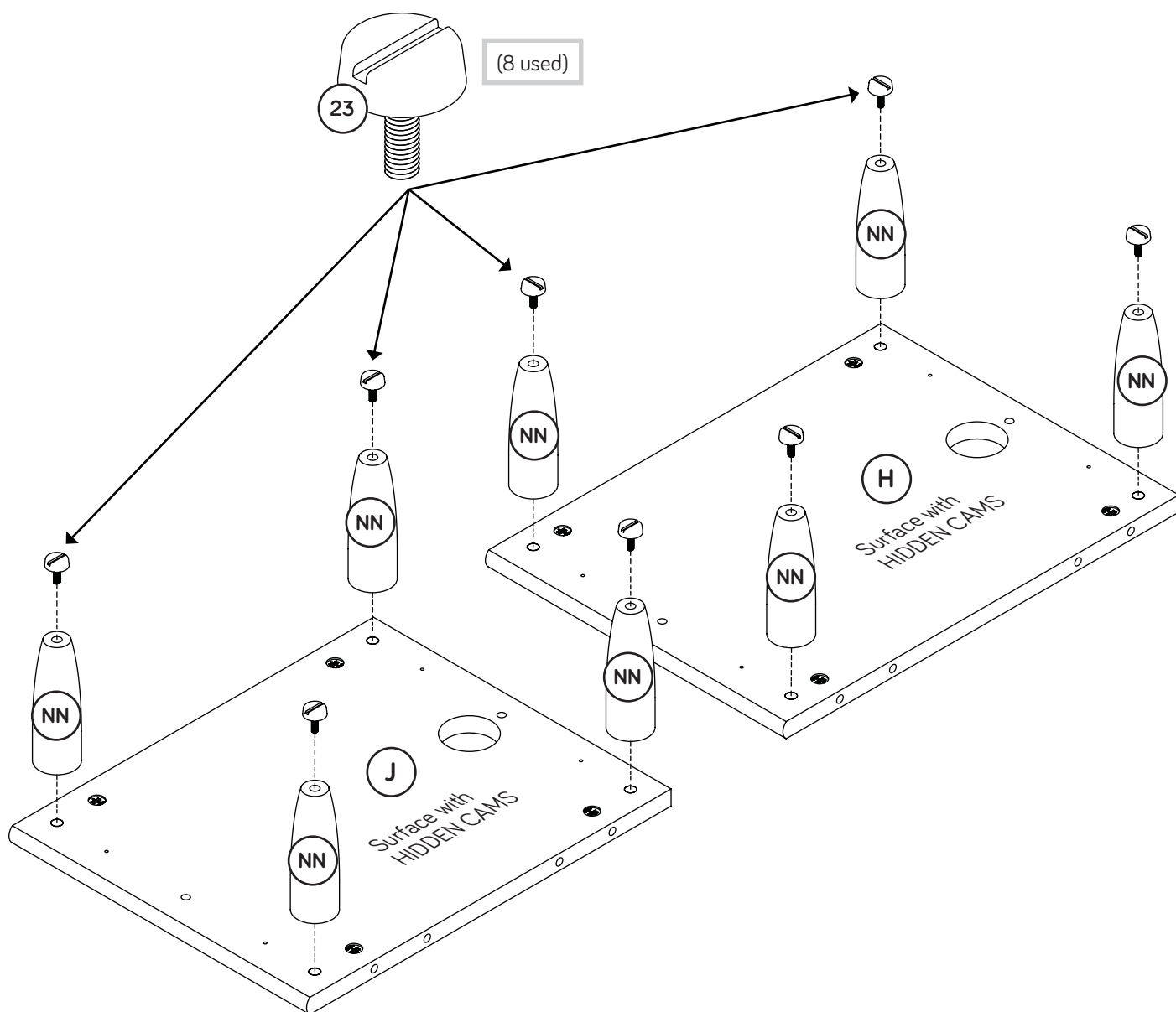


Some assembly
(and snacks) required.



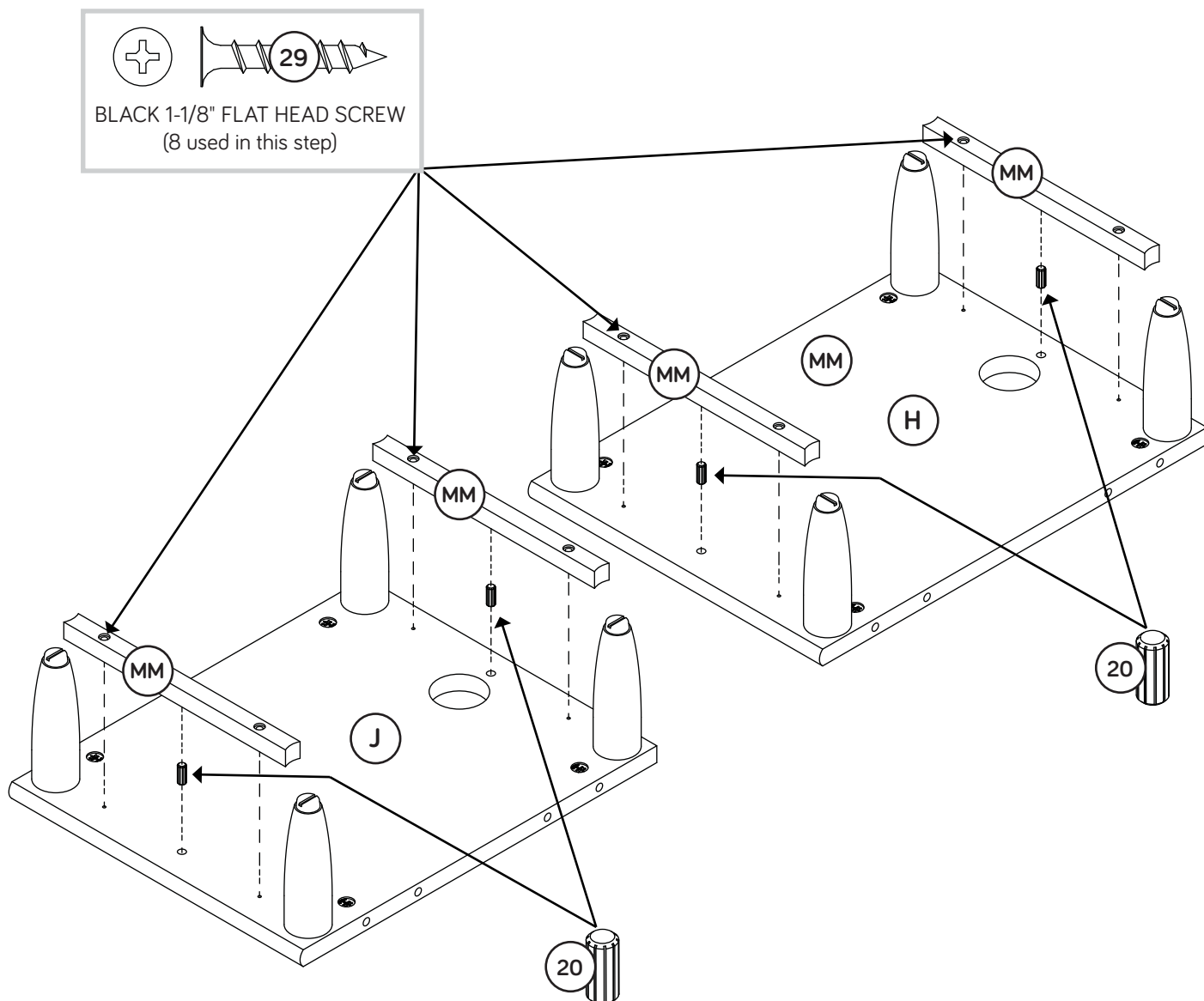
Step 4

- ✚ Turn eight FEET (NN) into the SMALL BOTTOMS (H and J).
- ✚ NOTE: Do not overtighten the FEET.
- ✚ Then, turn eight ADJUSTABLE GLIDES (23) into the FEET (NN).
- ✚ NOTE: Turn the ADJUSTABLE GLIDES completely in. Final adjustments will be made after the unit is standing upright.



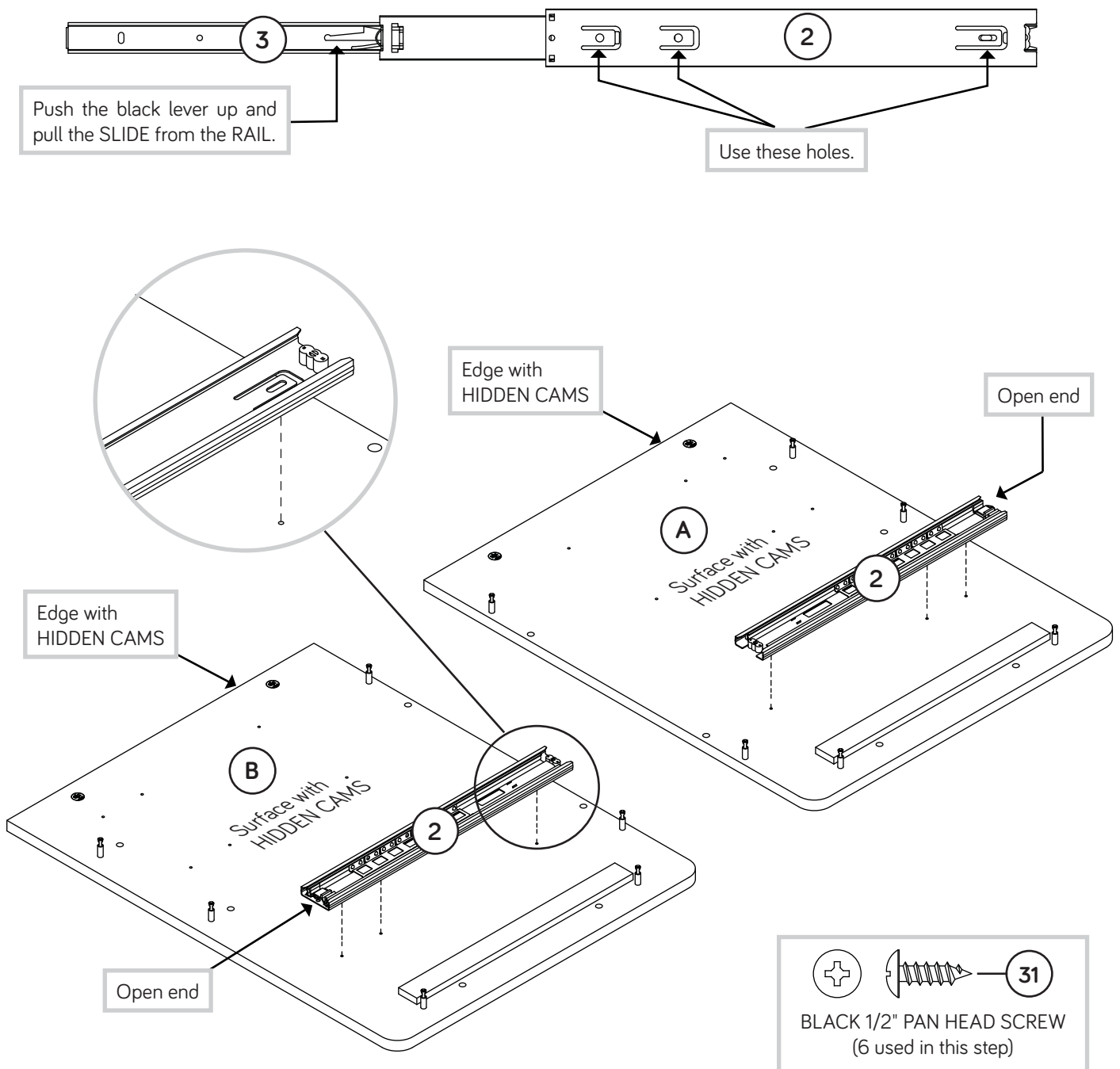
Step 5

- ✚ Insert four SHORT WOOD DOWELS (20) into the SMALL BOTTOMS (H and J).
- ✚ Fasten four BOTTOM RAILS (MM) to the SMALL BOTTOMS (H and J). Use eight BLACK 1-1/8" FLAT HEAD SCREWS (29).
- ✚ **NOTE:** Be sure the SHORT WOOD DOWELS in the SMALL BOTTOMS insert into the BOTTOM RAILS.



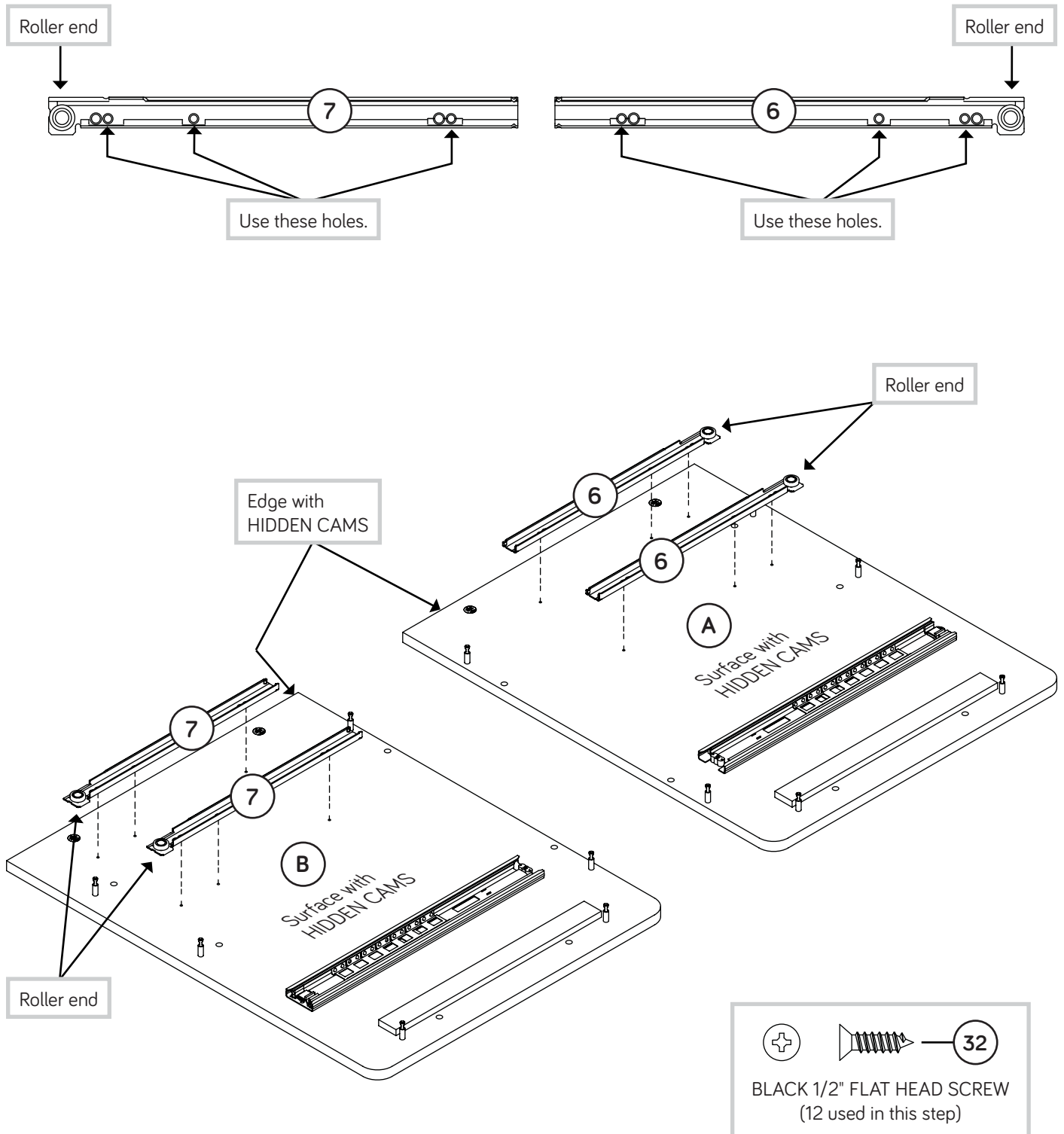
Step 6

- ✚ Separate the LONG EXTENSION SLIDES (3) from the LONG EXTENSION RAILS (2) as shown in the enlarged diagram below. Be prepared, the parts are greasy.
- ✚ Fasten two LONG EXTENSION RAILS (2) to the ENDS (A and B). Use six BLACK 1/2" PAN HEAD SCREWS (31).
- ✚ **NOTE:** For each EXTENSION RAIL, turn a SCREW into the hole shown in the enlarged diagram. Then, slide the inner cartridge of the EXTENSION RAIL in to find the other holes that lines up with the holes in the ENDS. Turn a SCREW into this hole.
- ✚ **NOTE:** The LONG EXTENSION SLIDES will be used later for the LARGE DRAWER.



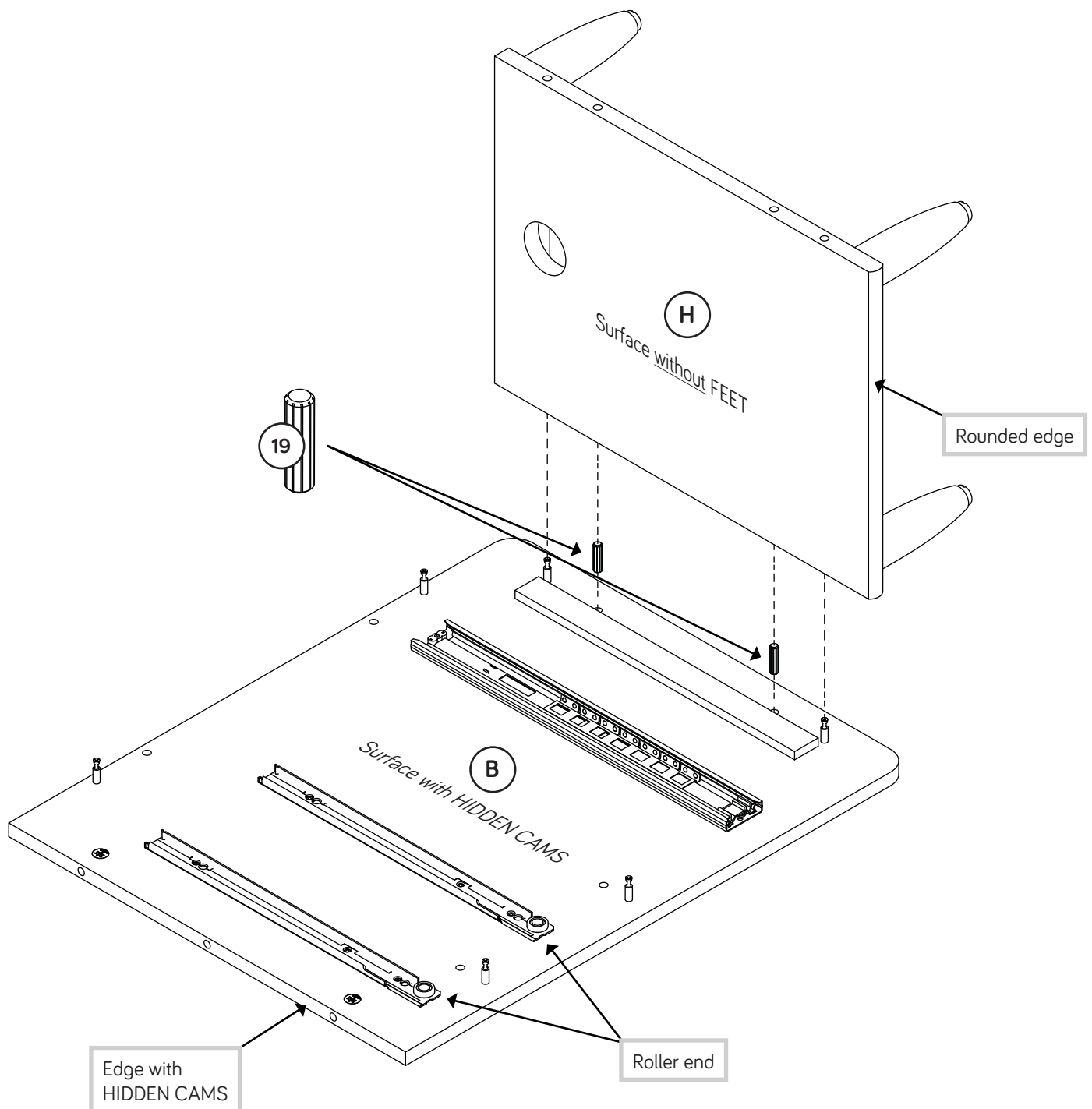
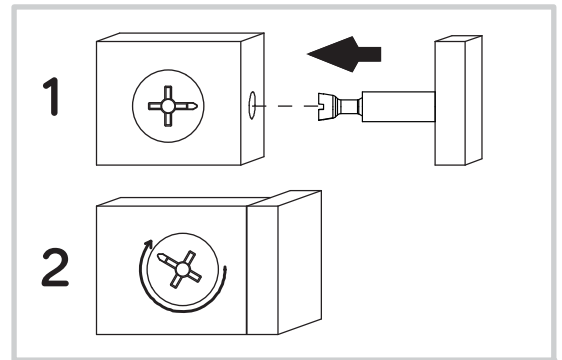
Step 7

- Fasten the CABINET RAILS (6 and 7) to the ENDS (A and B).
Use twelve BLACK 1/2" FLAT HEAD SCREWS (32).



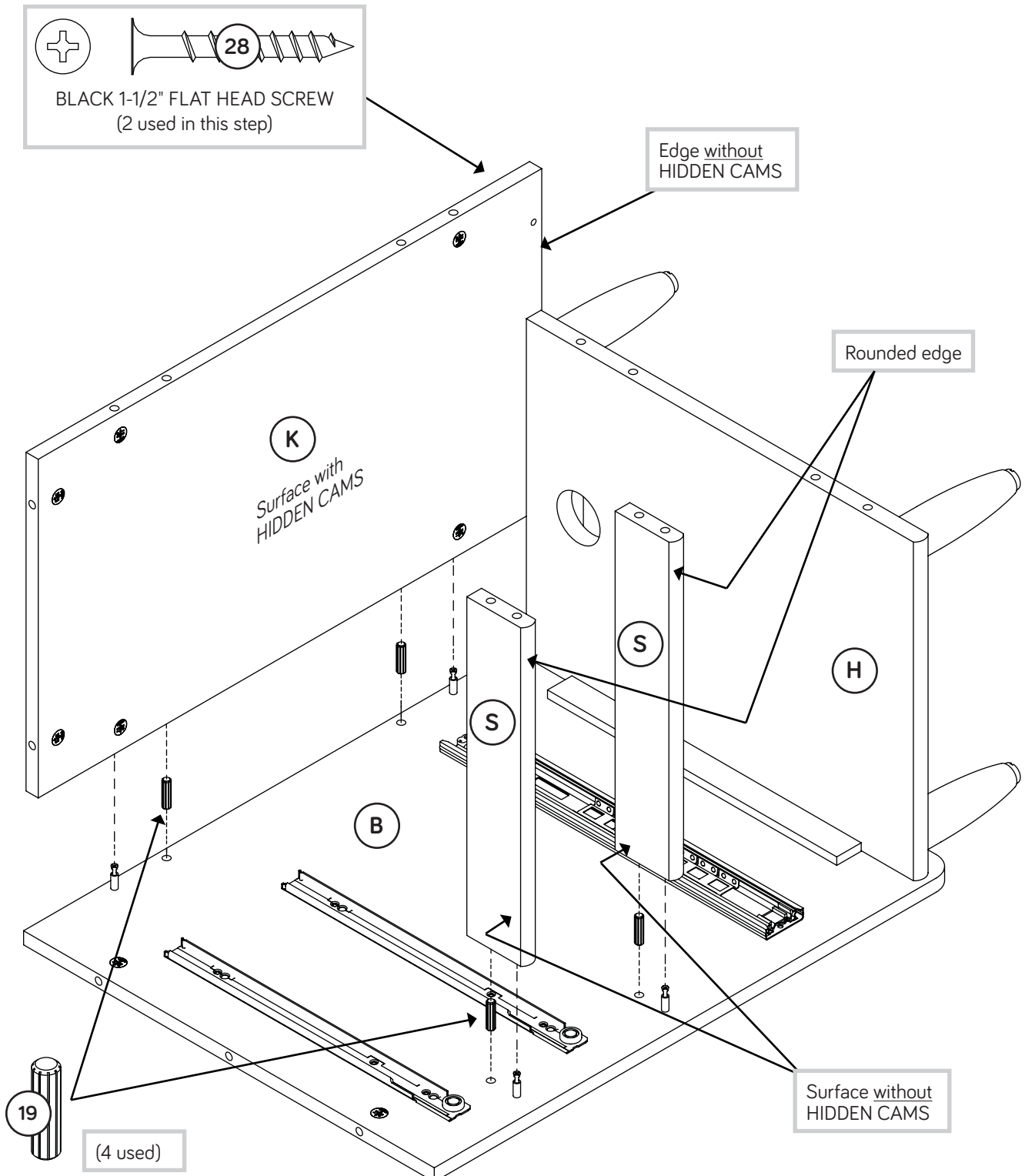
Step 8

- ✚ Insert two LONG WOOD DOWELS (19) into the exact holes shown in the LEFT END (B).
- ✚ Fasten the SMALL BOTTOM (H) to the LEFT END (B). Tighten two HIDDEN CAMS.
- ✚ **NOTE:** Be sure the WOOD DOWELS in the LEFT END insert into the holes in the SMALL BOTTOM.



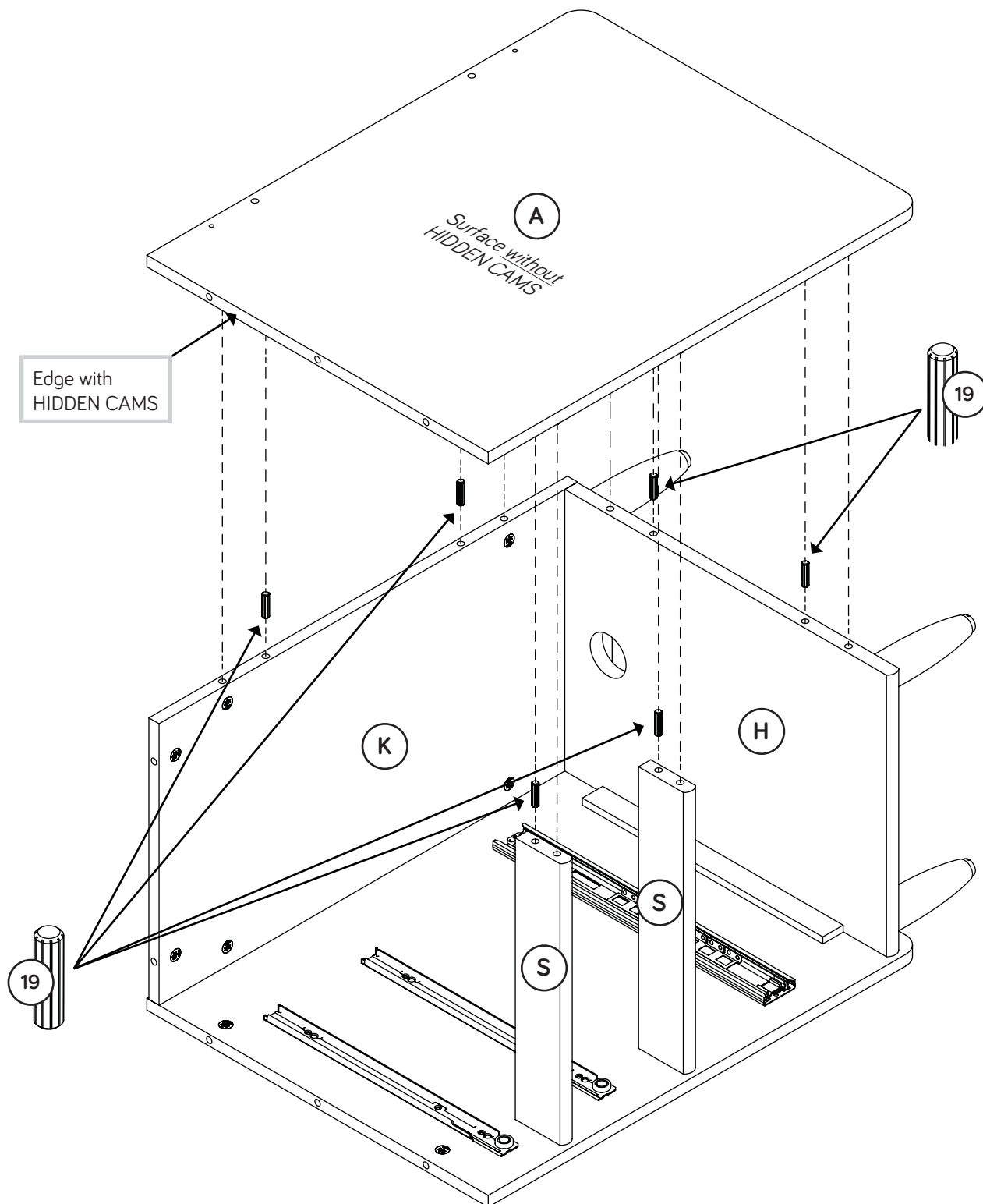
Step 9

- ✚ Insert four LONG WOOD DOWELS (19) into the exact holes shown in the LEFT END (B).
- ✚ Fasten the SMALL BACK (K) and the BRACES (S) to the LEFT END (B). Tighten four HIDDEN CAMS.
- ✚ **NOTE:** Be sure the LONG WOOD DOWELS in the LEFT END insert into the SMALL BACK and BRACES.
- ✚ Fasten the SMALL BACK (K) to the SMALL BOTTOM (H). Use two BLACK 1-1/2" FLAT HEAD SCREWS (28).



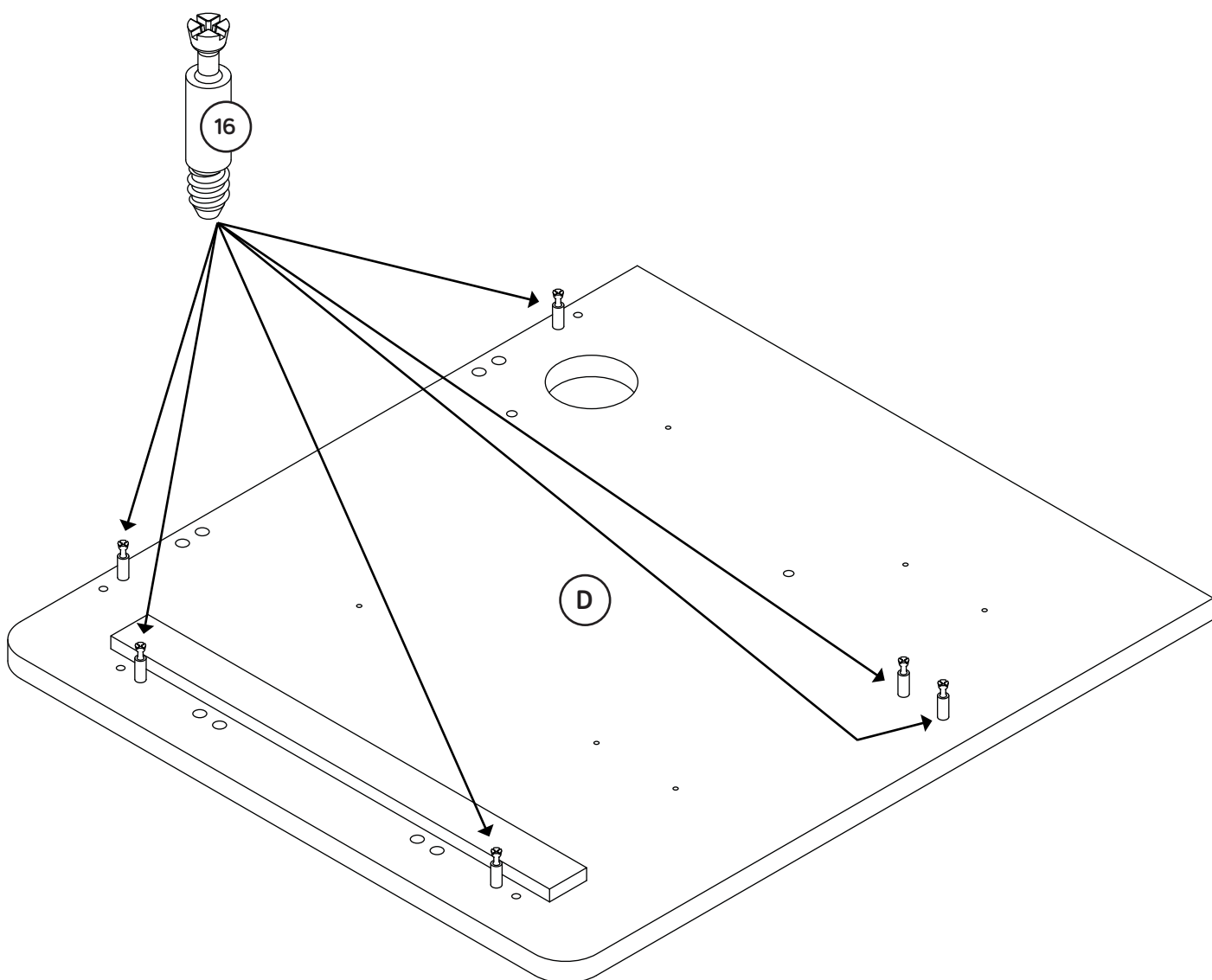
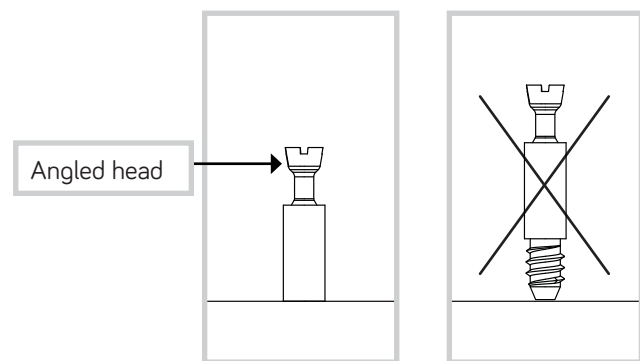
Step 10

- ✚ Insert six LONG WOOD DOWELS (19) into the RIGHT END (A).
- ✚ Fasten the RIGHT END (A) to the SMALL BOTTOM (H), SMALL BACK (K), and BRACES (S). Tighten six HIDDEN CAMS.
- ✚ **NOTE:** Be sure the LONG WOOD DOWELS in the RIGHT END insert into the holes in the SMALL BOTTOM, SMALL BACK, and BRACES.



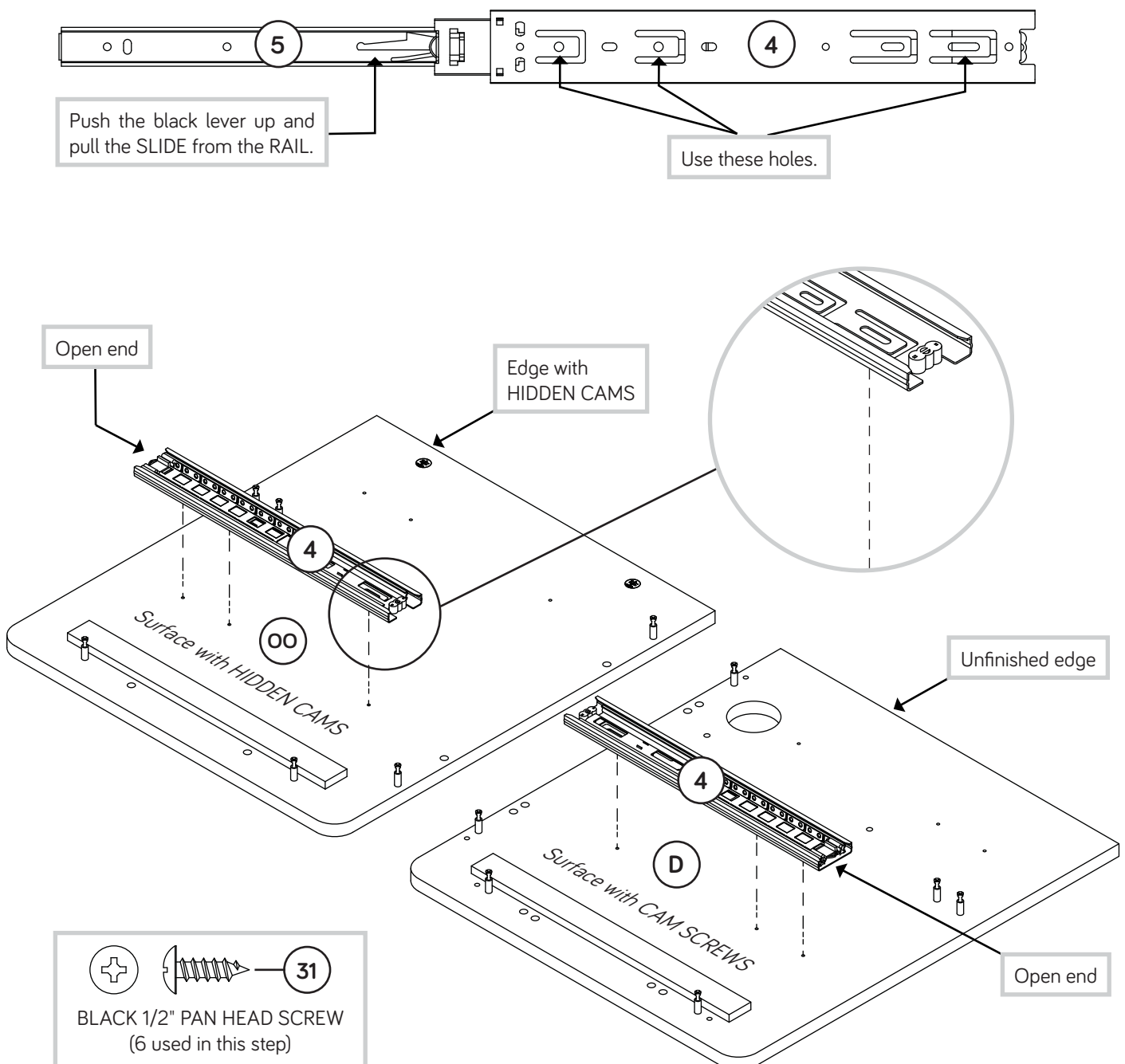
Step 11

- Turn six ANGLED HEAD CAM SCREWS (16) into the exact holes shown in the RETURN UPRIGHT (D).



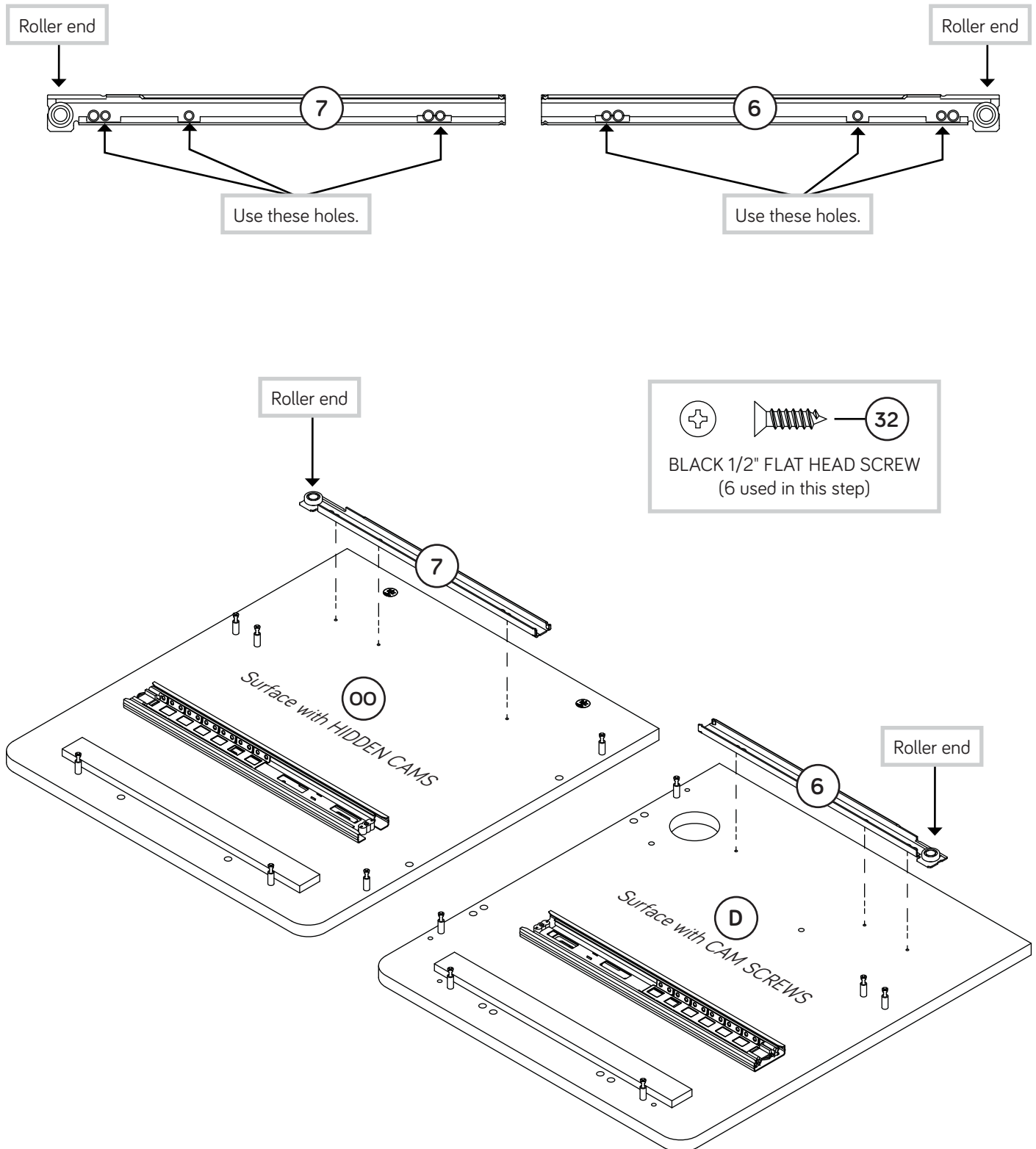
Step 12

- ✚ Separate the EXTENSION SLIDES (5) from the EXTENSION RAILS (4) as shown in the enlarged diagram below. Be prepared, the parts are greasy.
- ✚ Fasten two EXTENSION RAILS (4) to the RETURN UPRIGHT (D) and RETURN LEFT END (OO). Use six BLACK 1/2" PAN HEAD SCREWS (31).
- ✚ **NOTE:** For each EXTENSION RAIL, turn a SCREW into the hole shown in the enlarged diagram. Then, slide the inner cartridge of the EXTENSION RAIL in to find the other holes that lines up with the holes in the UPRIGHT and END. Turn a SCREW into this hole.
- ✚ **NOTE:** The EXTENSION SLIDES will be used later for the RETURN DRAWER.



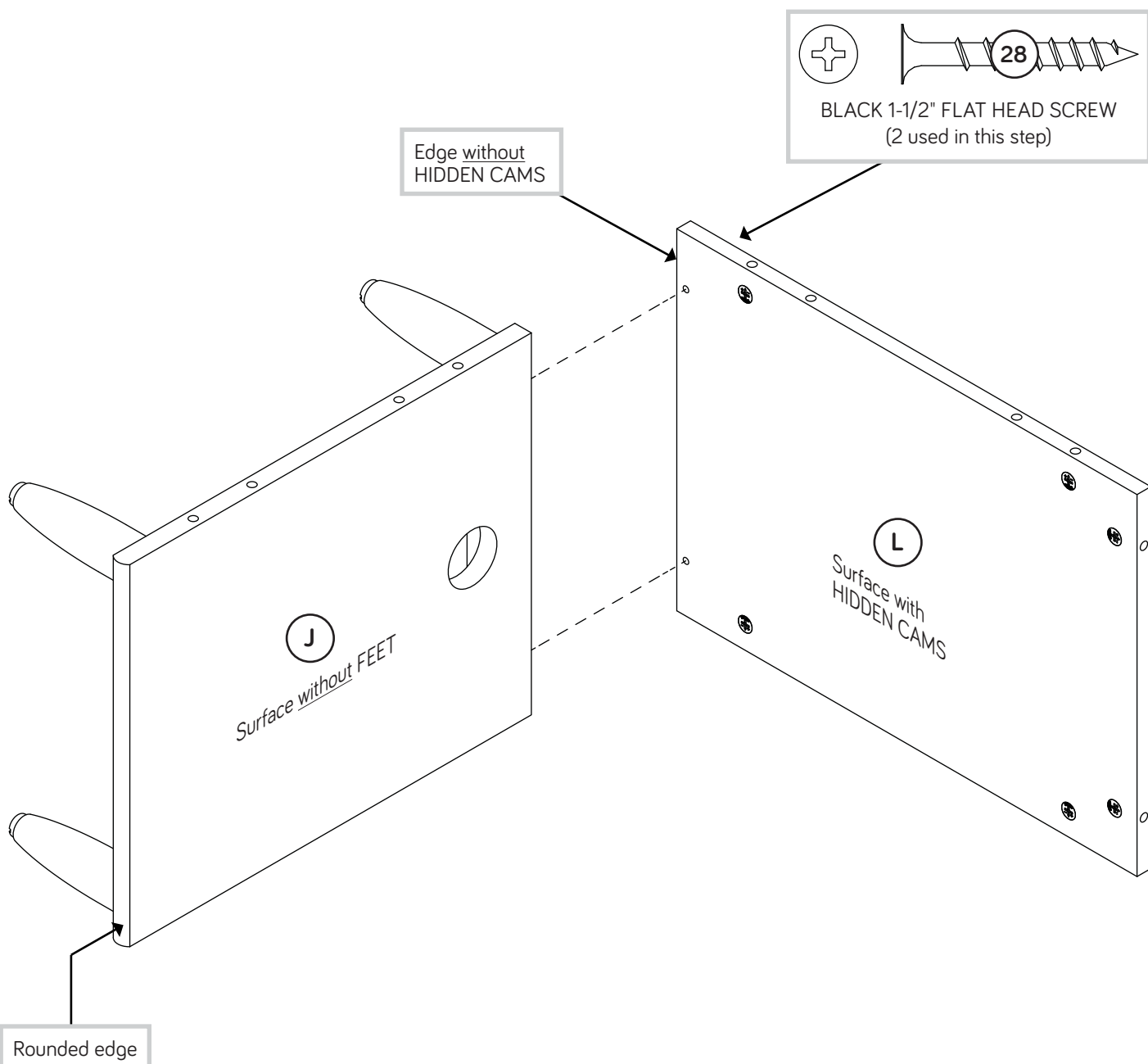
Step 13

- Fasten the CABINET RAILS (6 and 7) to the RETURN UPRIGHT (D) and RETURN LEFT END (OO). Use six BLACK 1/2" FLAT HEAD SCREWS (32).



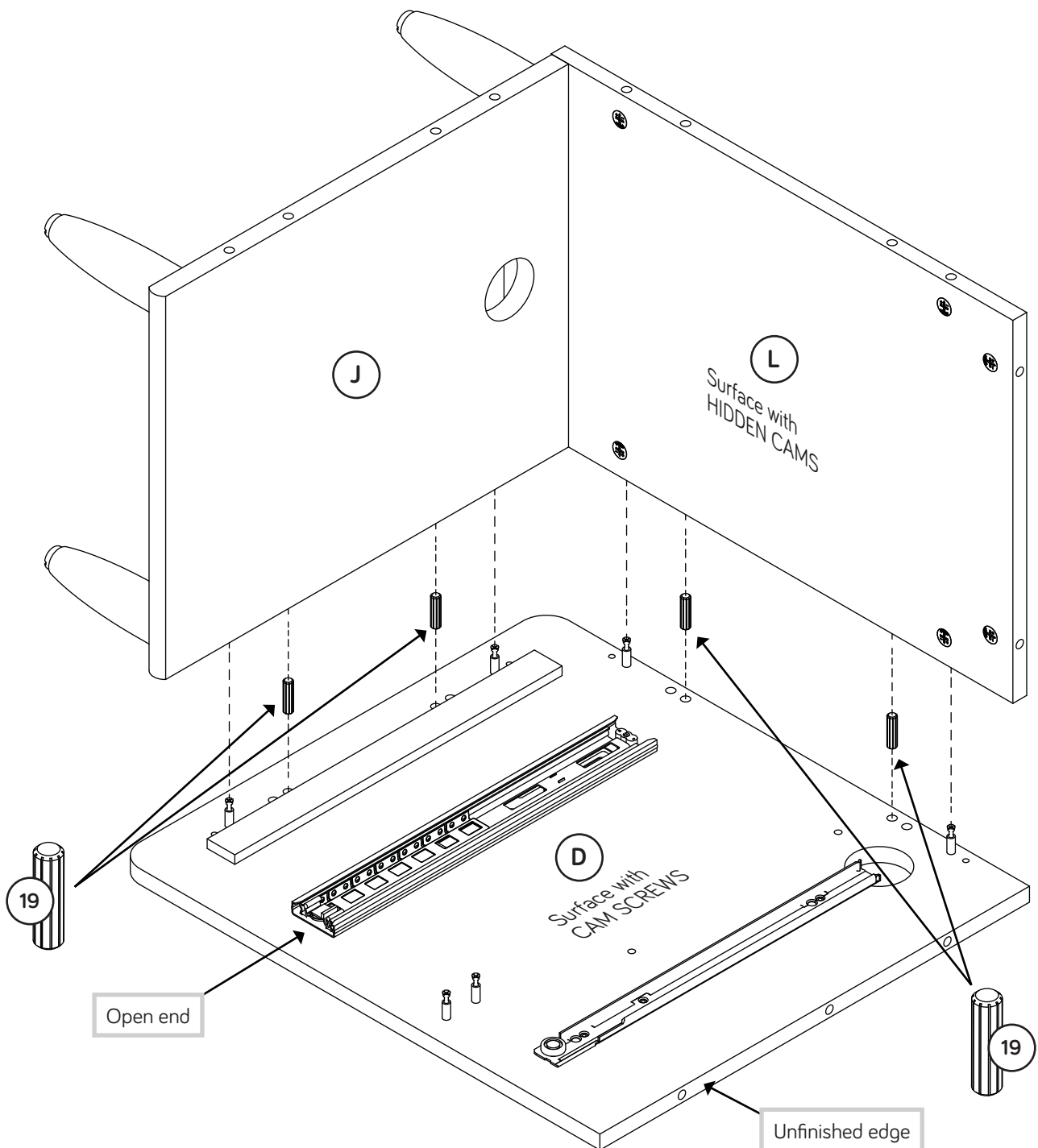
Step 14

- Fasten the RETURN SMALL BACK (L) to the RETURN SMALL BOTTOM (J). Use two BLACK 1-1/2" FLAT HEAD SCREWS (28).



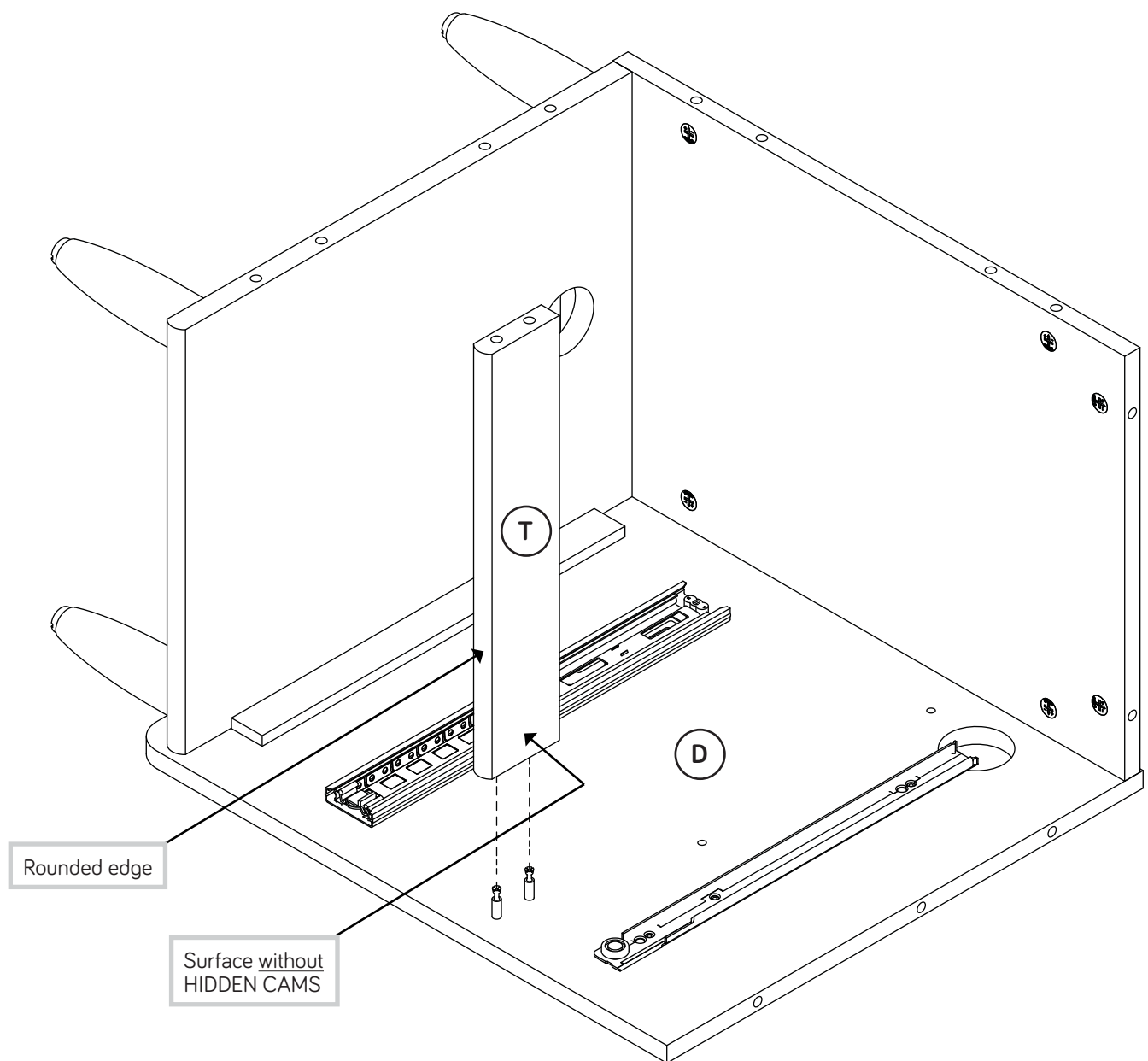
Step 15

- ✚ Insert four LONG WOOD DOWELS (19) into the exact holes shown in the RETURN UPRIGHT (D).
- ✚ Fasten the RETURN SMALL BOTTOM (J) and RETURN SMALL BACK (L) to the RETURN UPRIGHT (D). Tighten four HIDDEN CAMS.
- ✚ **NOTE:** Be sure the LONG WOOD DOWELS in the RETURN UPRIGHT insert into the holes in the RETURN SMALL BOTTOM and RETURN SMALL BACK.



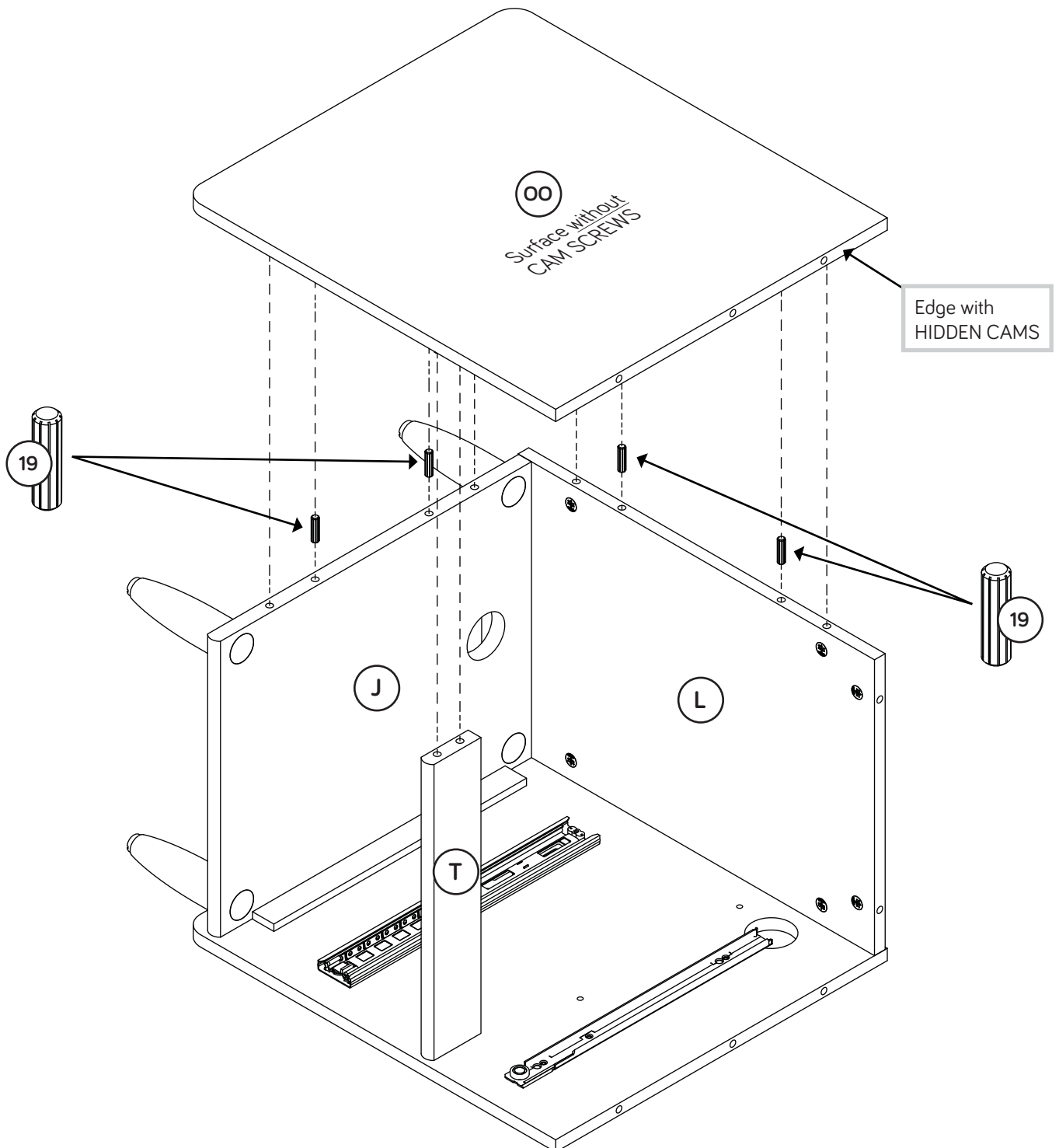
Step 16

- Fasten the RETURN BRACE (T) to the RETURN UPRIGHT (D).
Tighten two HIDDEN CAMS.



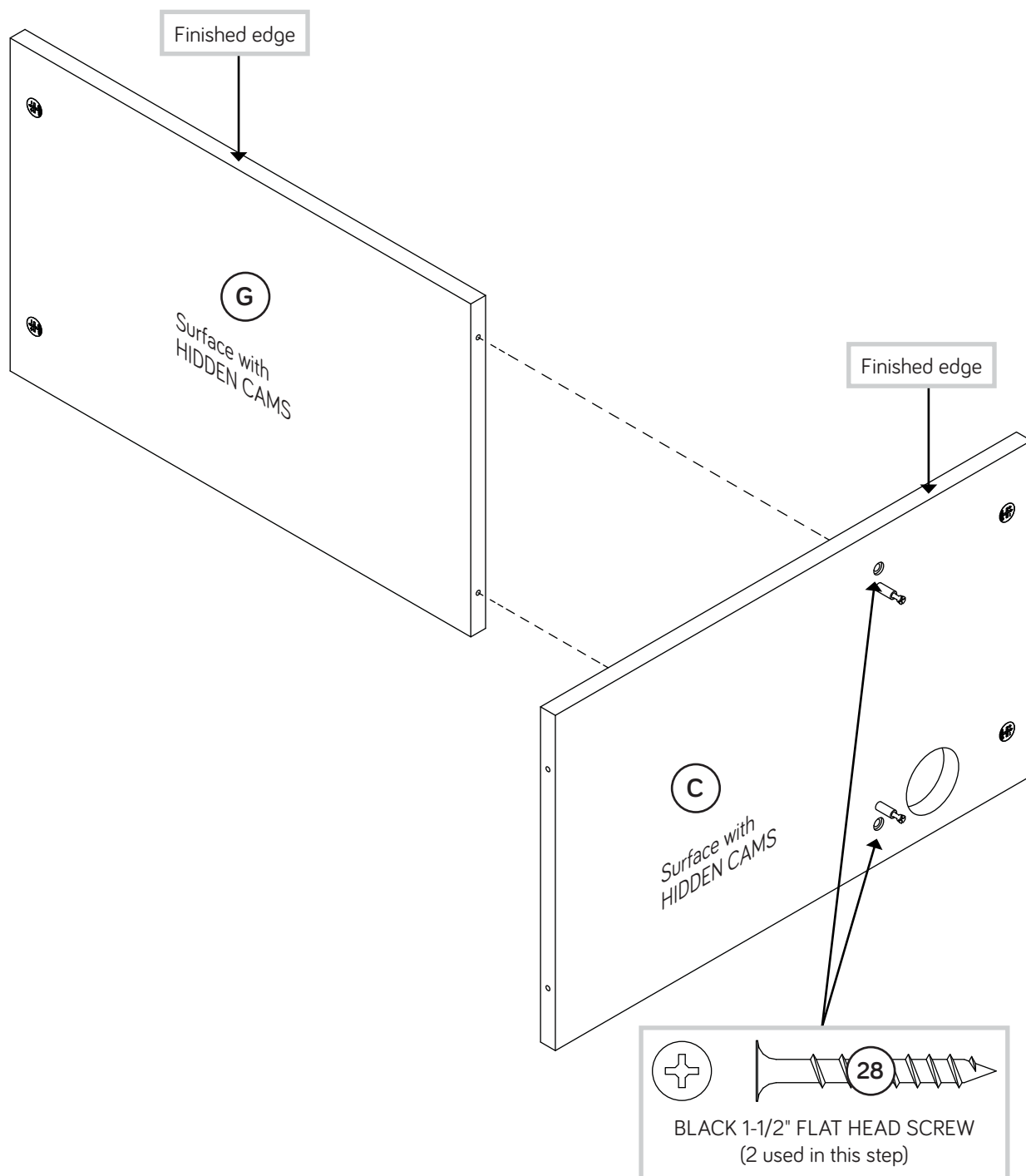
Step 17

- ✦ Insert four LONG WOOD DOWELS (19) into the RETURN LEFT END (OO).
- ✦ Fasten the RETURN LEFT END (OO) to the RETURN SMALL BOTTOM (J), RETURN SMALL BACK (L), and RETURN BRACE (T). Tighten six HIDDEN CAMS.
- ✦ **NOTE:** Be sure the LONG WOOD DOWELS in the RETURN LEFT END insert into the holes in the RETURN SMALL BOTTOM, RETURN SMALL BACK, and RETURN BRACE.



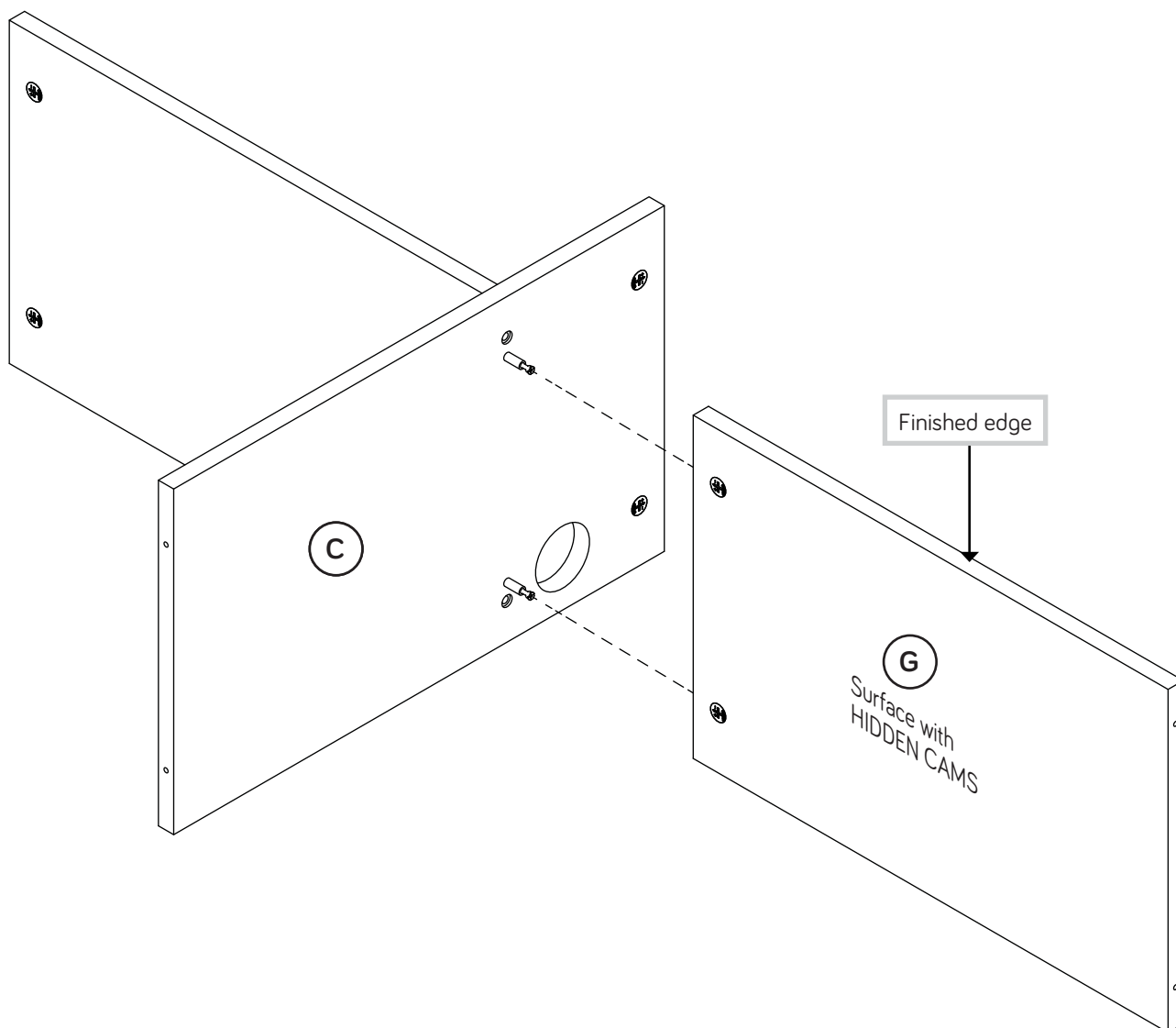
Step 18

- Fasten the UPRIGHT (C) to one of the SHELVES (G). Use two BLACK 1-1/2" FLAT HEAD SCREWS (28).



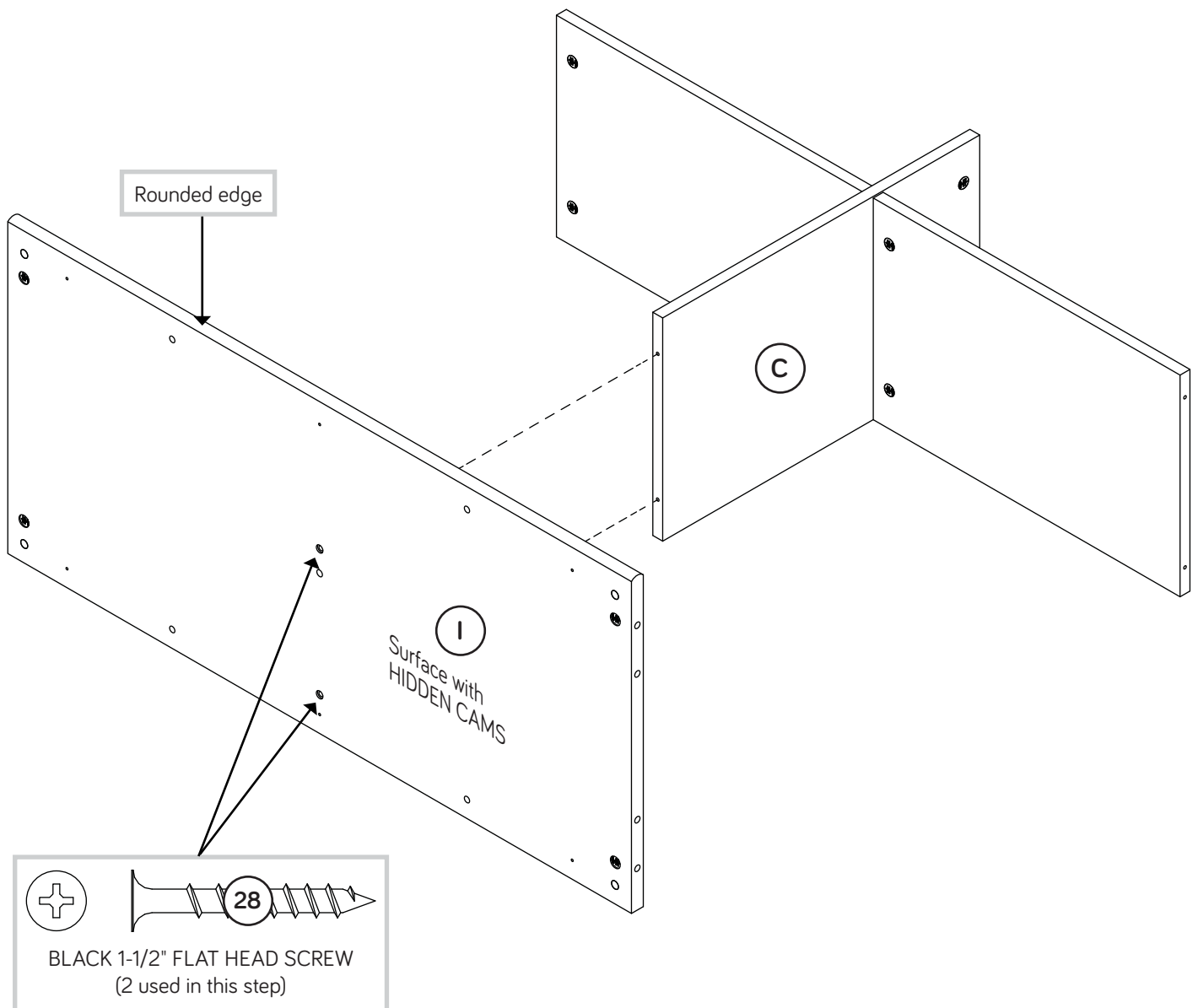
Step 19

- Fasten the other SHELF (G) to the UPRIGHT (C). Tighten two HIDDEN CAMS.



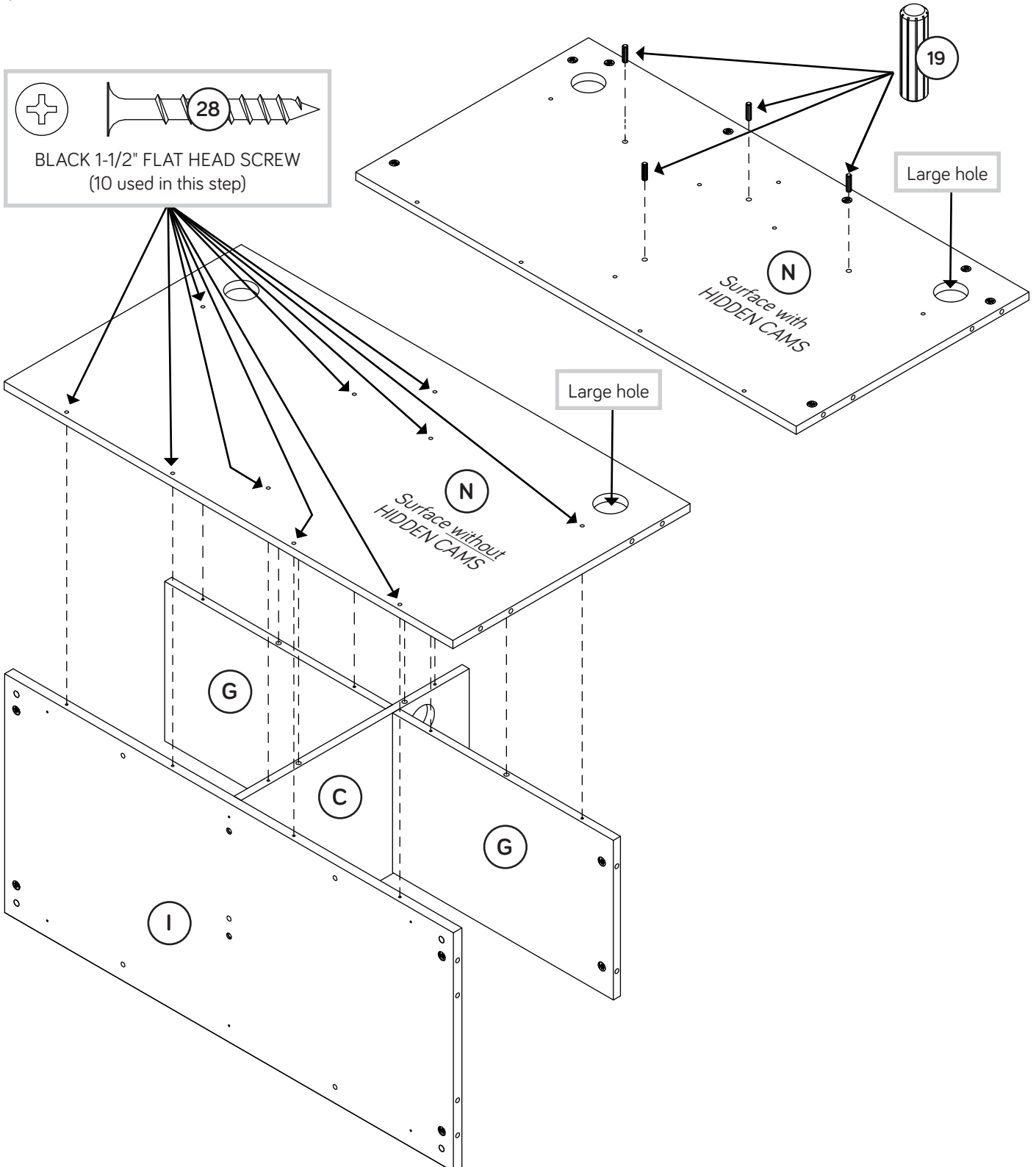
Step 20

- Fasten the BOTTOM (I) to the UPRIGHT (C). Use two BLACK 1-1/2" FLAT HEAD SCREWS (28).



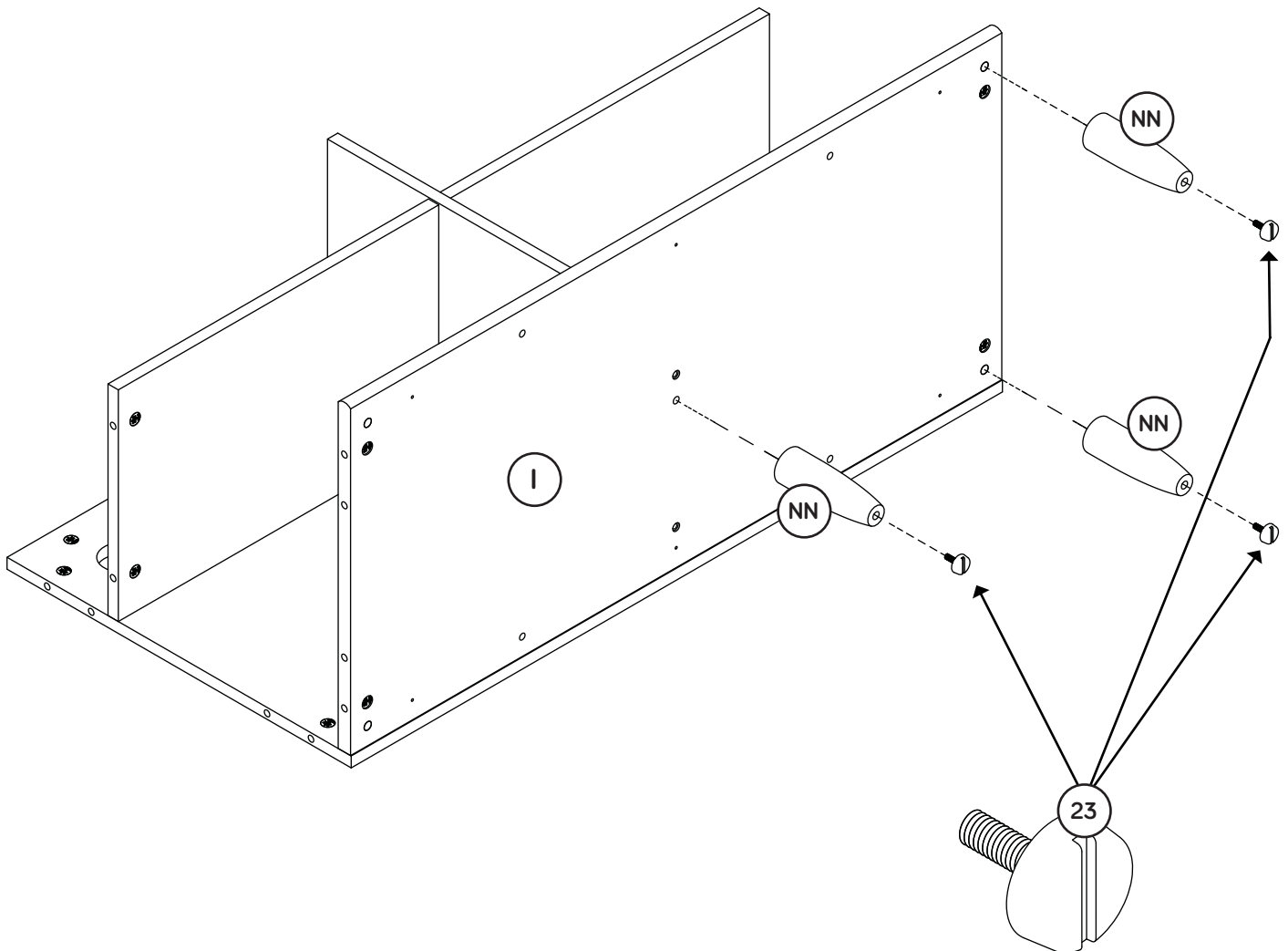
Step 21

- ✚ Carefully turn the assembly over onto its front edges.
- ✚ Insert four LONG WOOD DOWELS (19) into the exact holes shown in the RETURN BACK (N).
- ✚ Fasten the RETURN BACK (N) to the UPRIGHT (C), SHELVES (G), and BOTTOM (I). Use ten BLACK 1-1/2" FLAT HEAD SCREWS (28).
- ✚ **NOTE:** Be sure the LONG WOOD DOWELS in the RETURN BACK insert into the holes in the UPRIGHT and SHELVES.



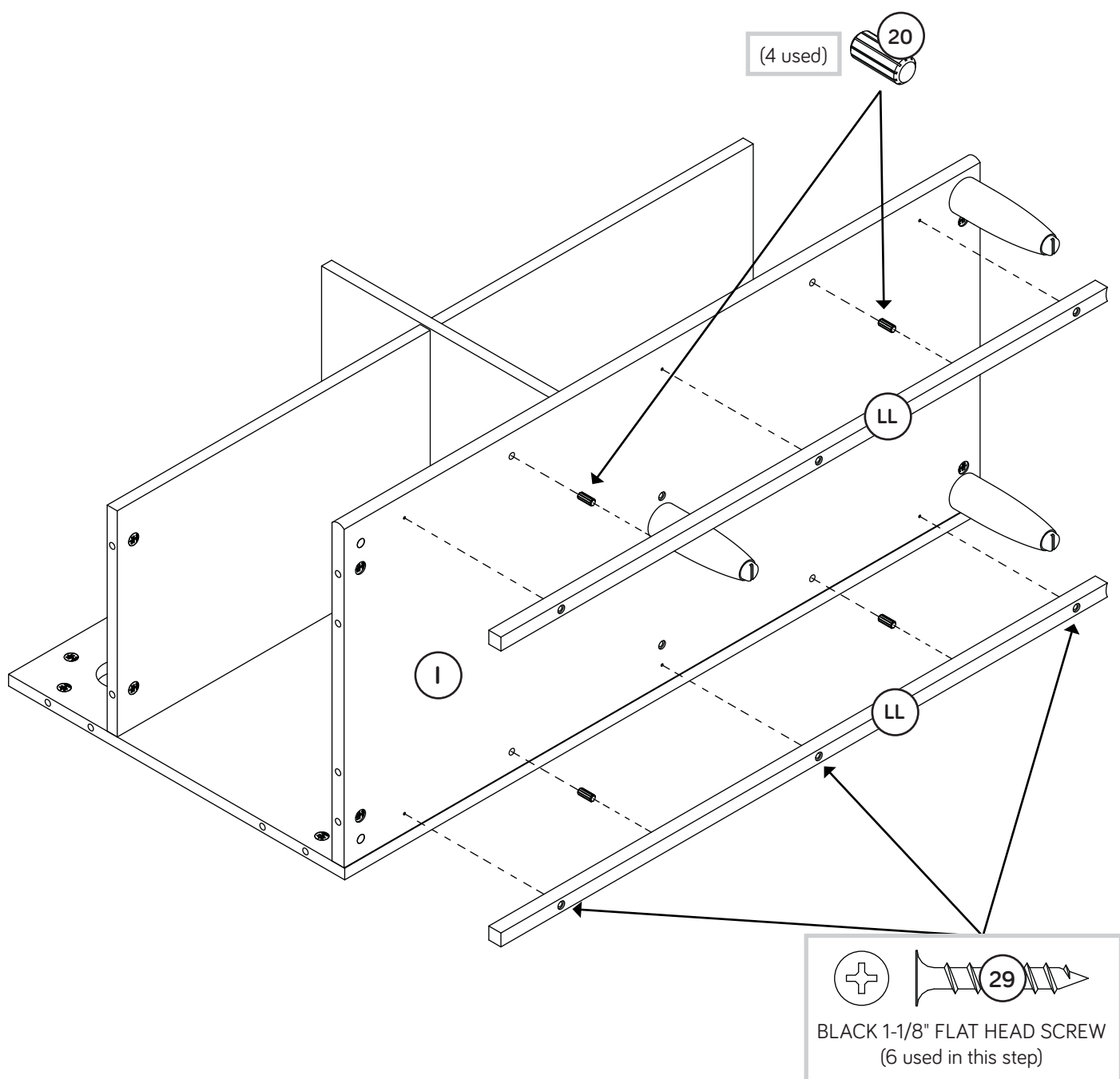
Step 22

- ✚ Carefully lay the assembly onto its back.
- ✚ Turn three FEET (NN) into the BOTTOM (I).
- ✚ NOTE: Do not overtighten the FEET.
- ✚ Then, turn three ADJUSTABLE GLIDES (23) into the FEET (NN).
- ✚ NOTE: Turn the ADJUSTABLE GLIDES completely in. Final adjustments will be made after the unit is standing upright.



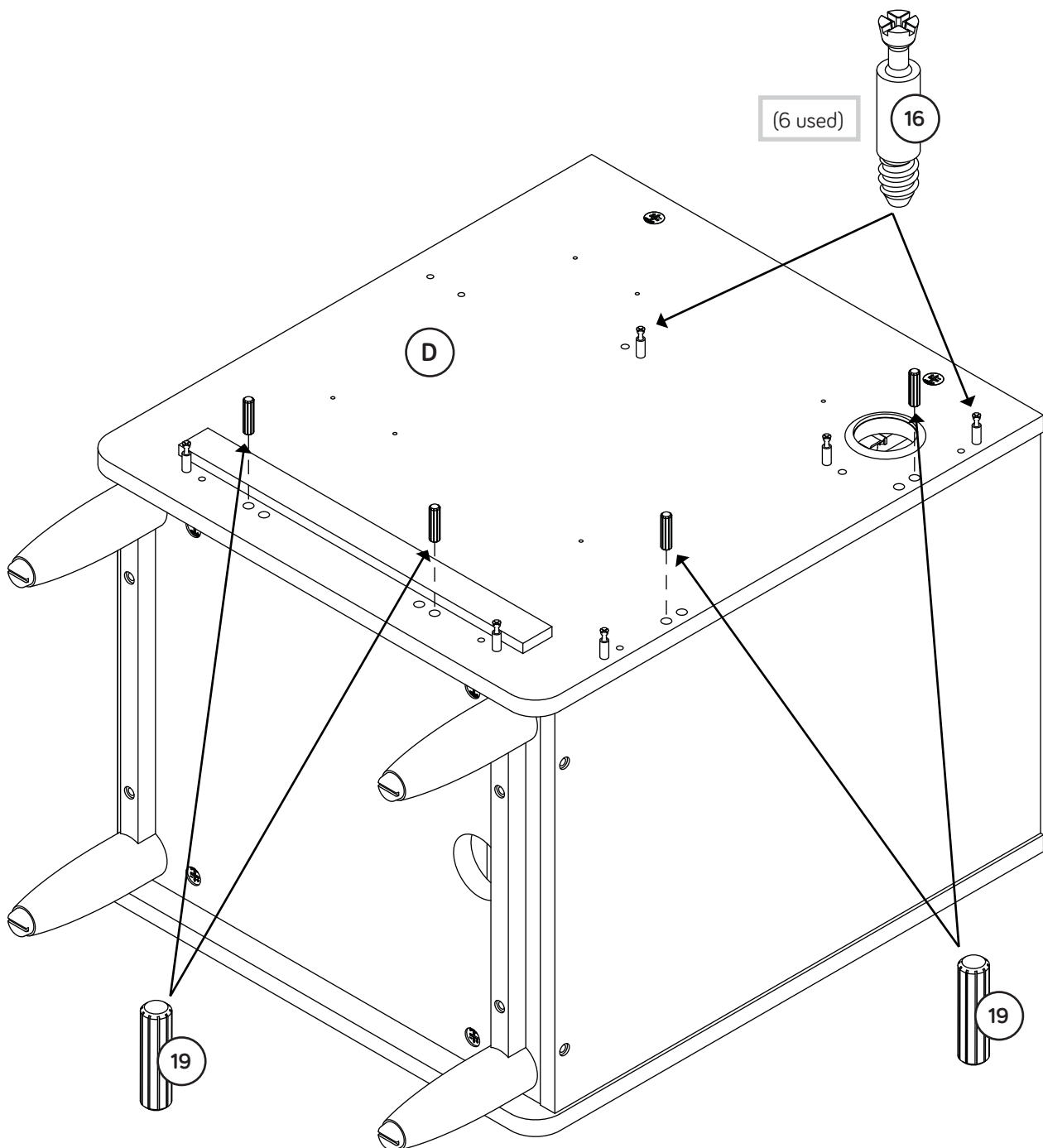
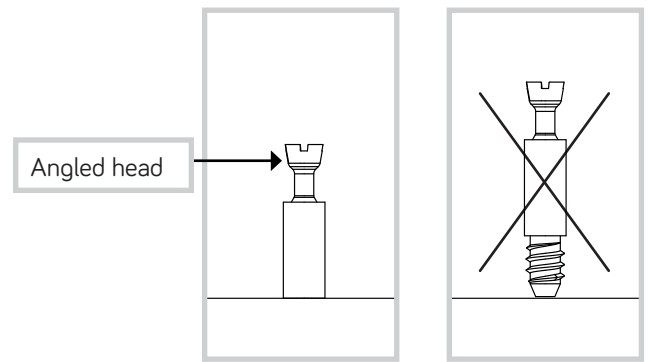
Step 23

- ✚ Insert four SHORT WOOD DOWELS (20) into the BOTTOM (I).
- ✚ Fasten two LONG BOTTOM RAILS (LL) to the BOTTOM (I). Use six BLACK 1-1/8" FLAT HEAD SCREWS (29).
- ✚ **NOTE:** Be sure the SHORT WOOD DOWELS in the BOTTOM (I) insert into the holes in the LONG BOTTOM RAILS.



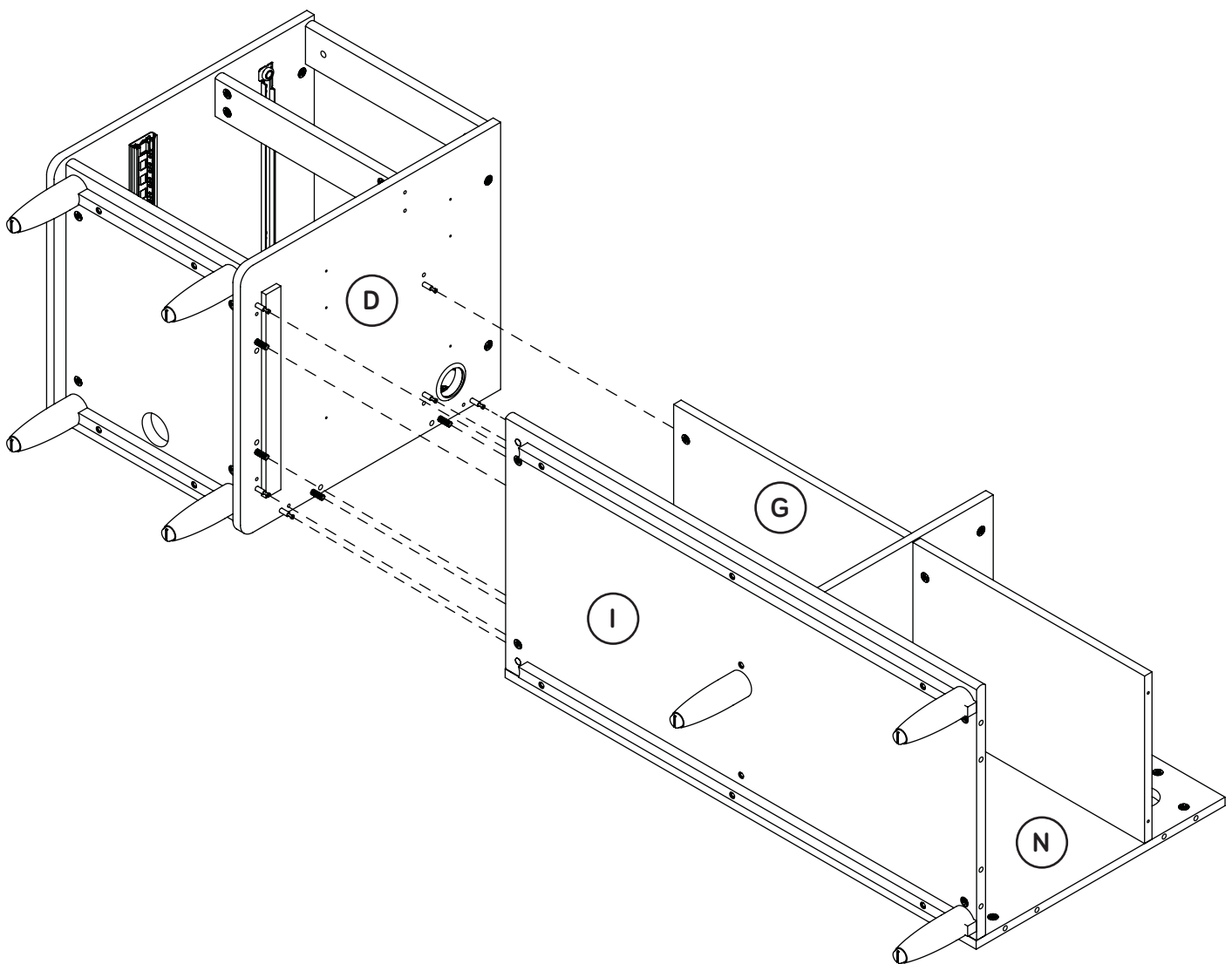
Step 24

- Turn six ANGLED HEAD CAM SCREWS (16) into the exact holes shown in the RETURN UPRIGHT (D).
- Insert four LONG WOOD DOWELS (19) into the exact holes shown in the RETURN UPRIGHT (D).



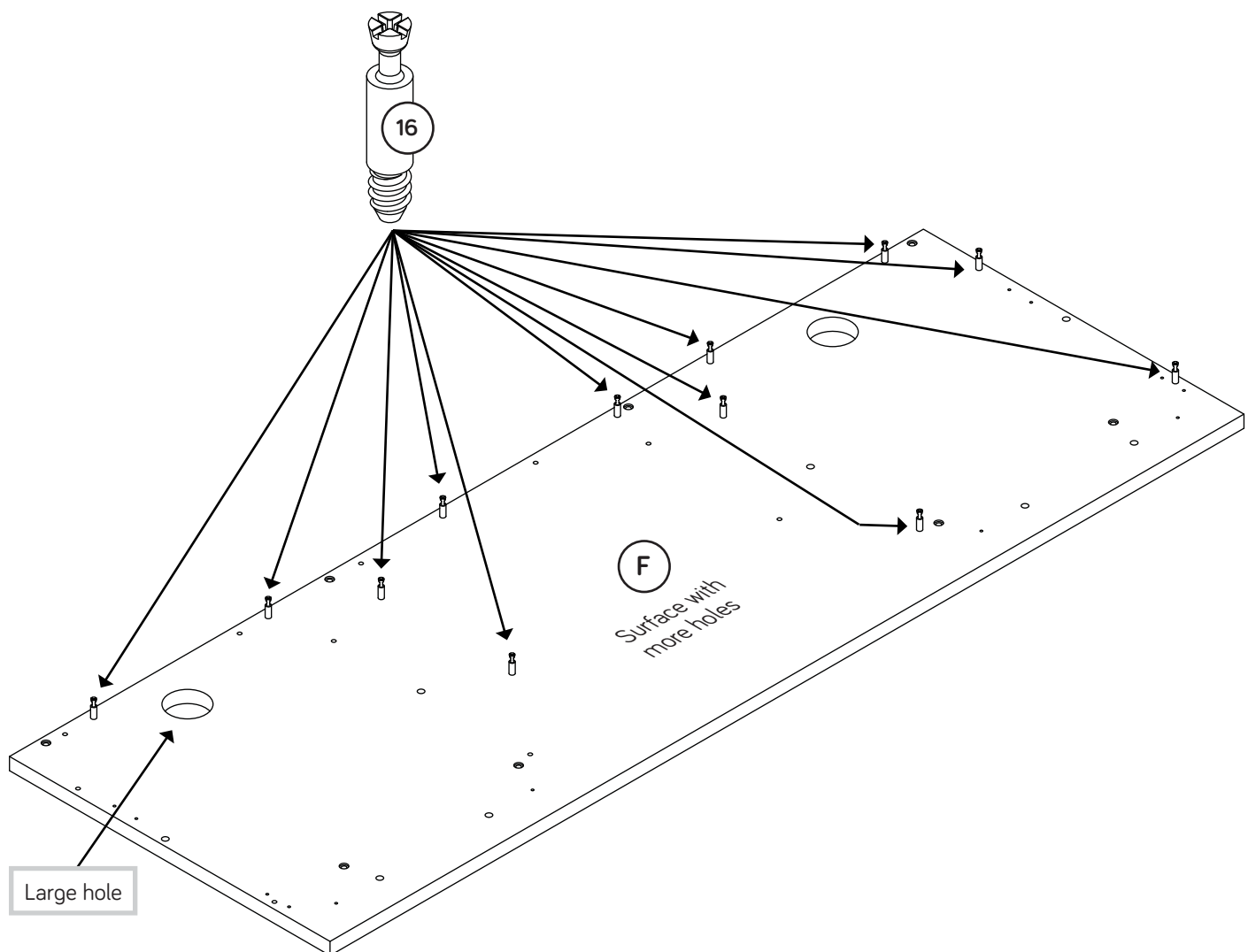
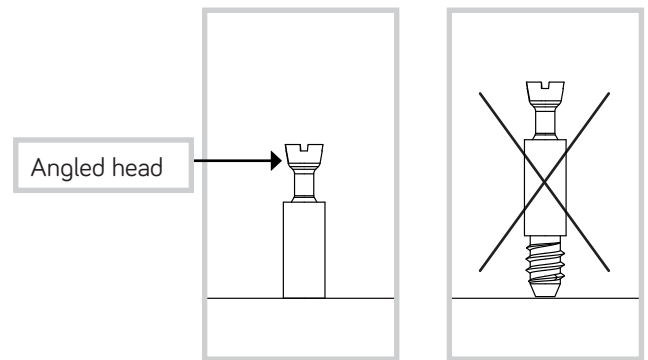
Step 25

- ✚ **NOTE:** You may need someone's help in this step.
- ✚ Fasten the RETURN UPRIGHT (D) to the SHELF (G), BOTTOM (I), and RETURN BACK (N). Tighten six HIDDEN CAMS.
- ✚ **NOTE:** Be sure the LONG WOOD DOWELS in the RETURN UPRIGHT insert into the holes in the SHELF, BOTTOM, and RETURN BACK.



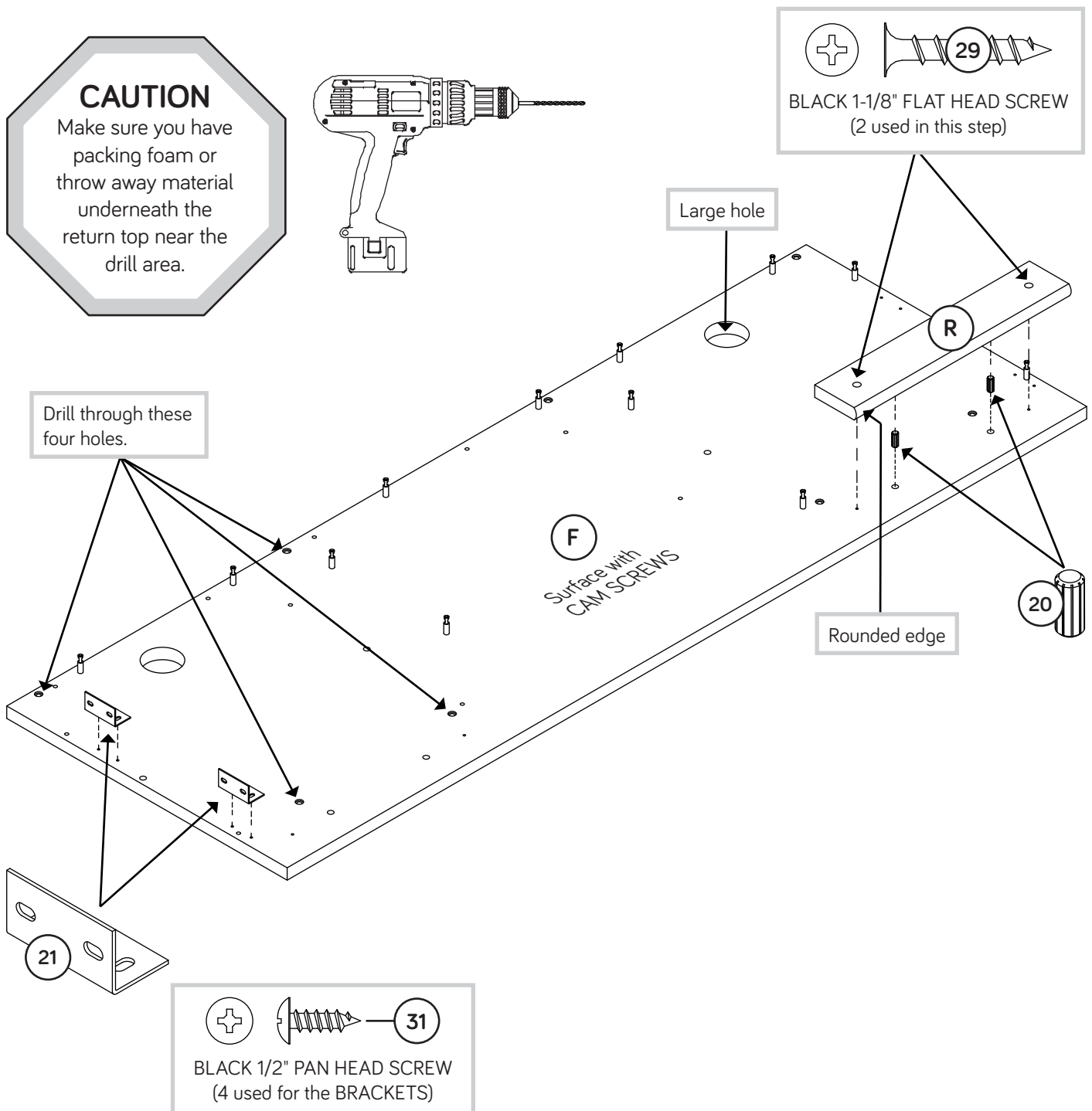
Step 26

- 🔩 **NOTE:** Be sure to position the RETURN TOP (F) exactly as shown.
- 🔩 Turn twelve ANGLED HEAD CAM SCREWS (16) into the exact holes shown in the RETURN TOP (F).



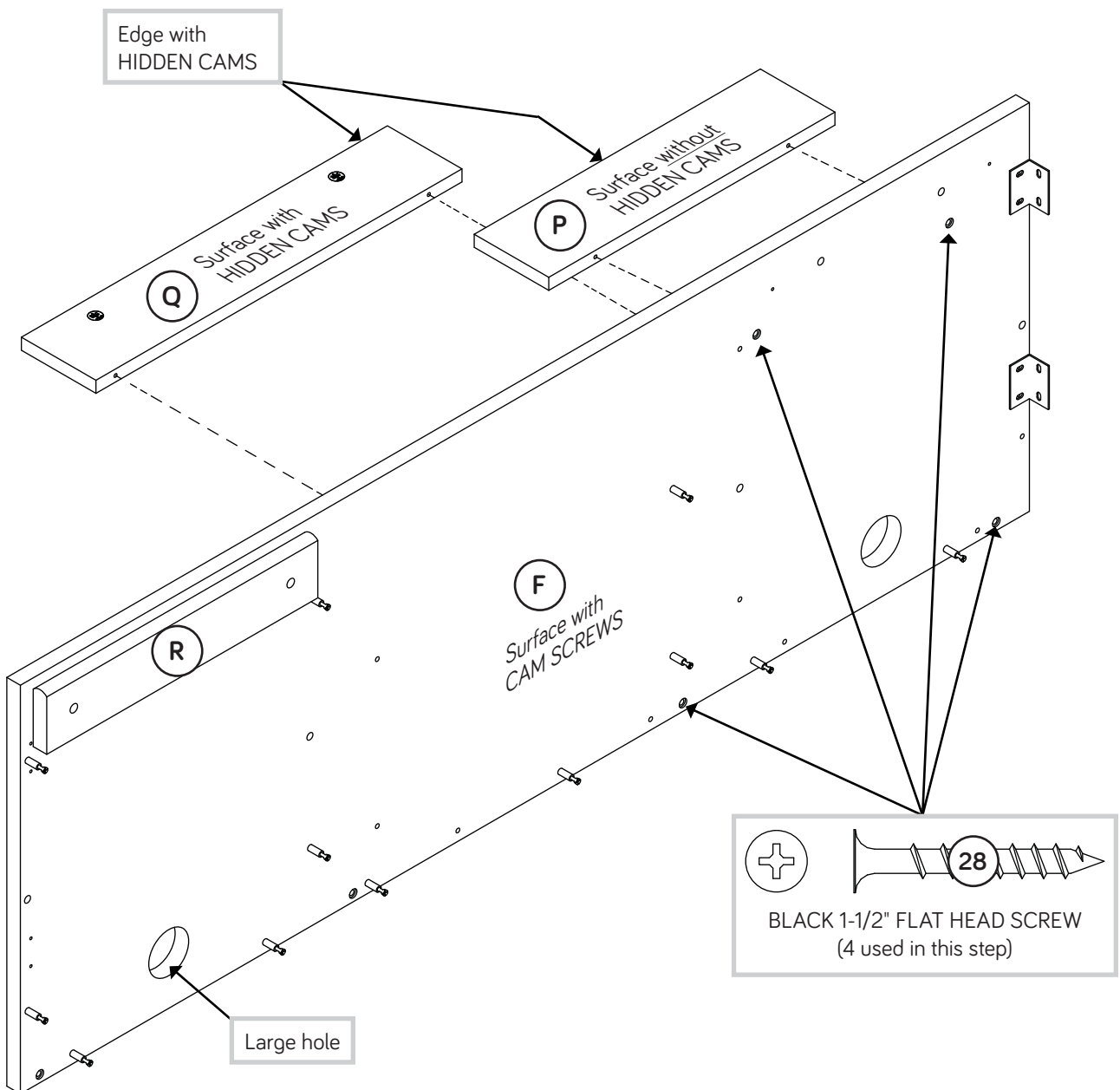
Step 27

- NOTE: Be sure to position the RETURN TOP exactly as shown.
- Insert two SHORT WOOD DOWELS (20) into the exact holes shown in the RETURN TOP (F).
- Fasten a TOP RAIL (R) to the RETURN TOP (F). Use two BLACK 1-1/8" FLAT HEAD SCREWS (29).
- NOTE: Be sure the SHORT WOOD DOWELS in the RETURN TOP insert into the holes in the TOP RAIL.
- Fasten two BRACKETS (21) to the RETURN TOP (F). Use four BLACK 1/2" PAN HEAD SCREWS (31).
- With a drill and 3/16" drill bit, finish drilling through the exact four holes shown in the RETURN TOP (F).



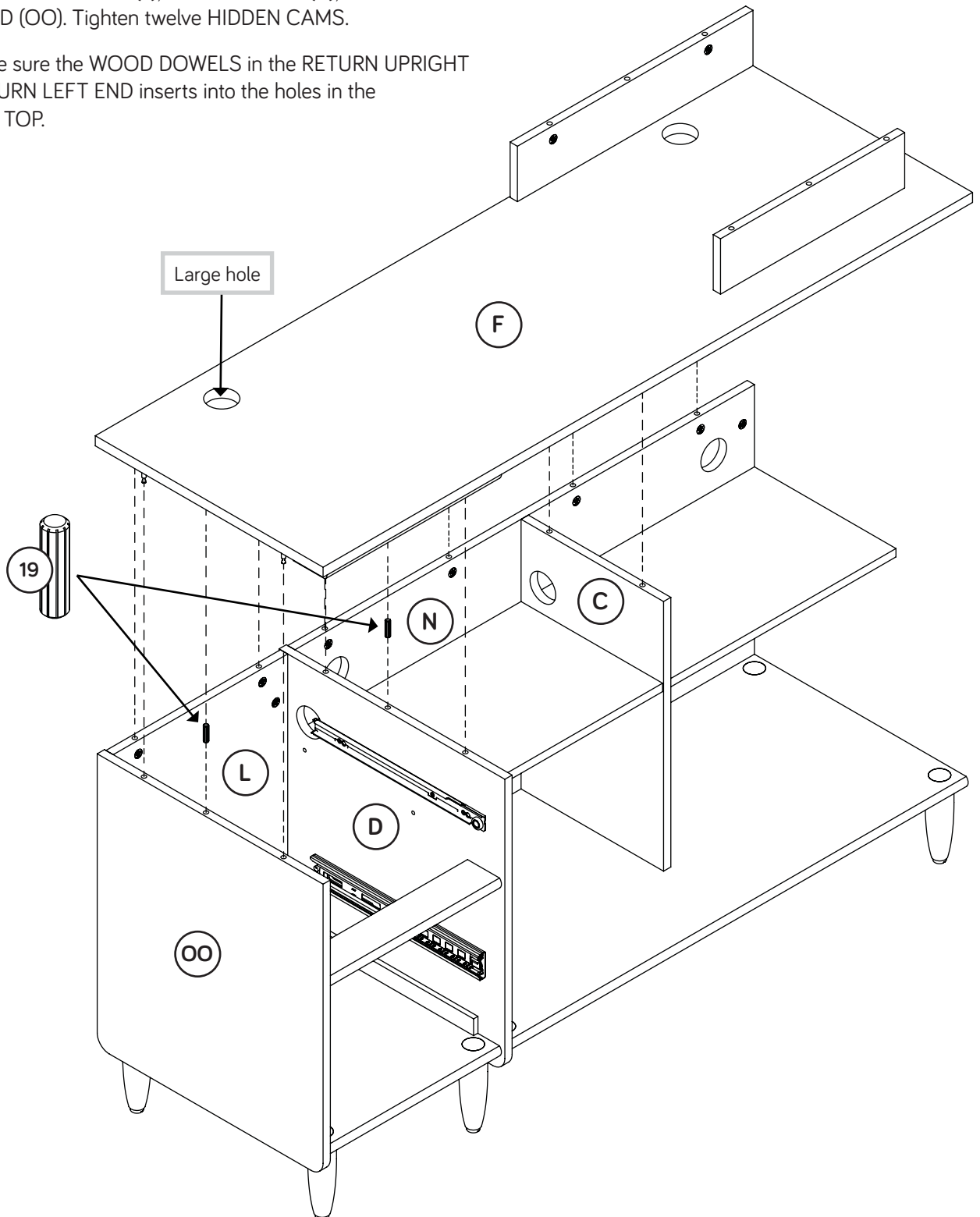
Step 28

- Fasten the UPRIGHTS (P and Q) to the RETURN TOP (F).
Use four BLACK 1-1/2" FLAT HEAD SCREWS (28).



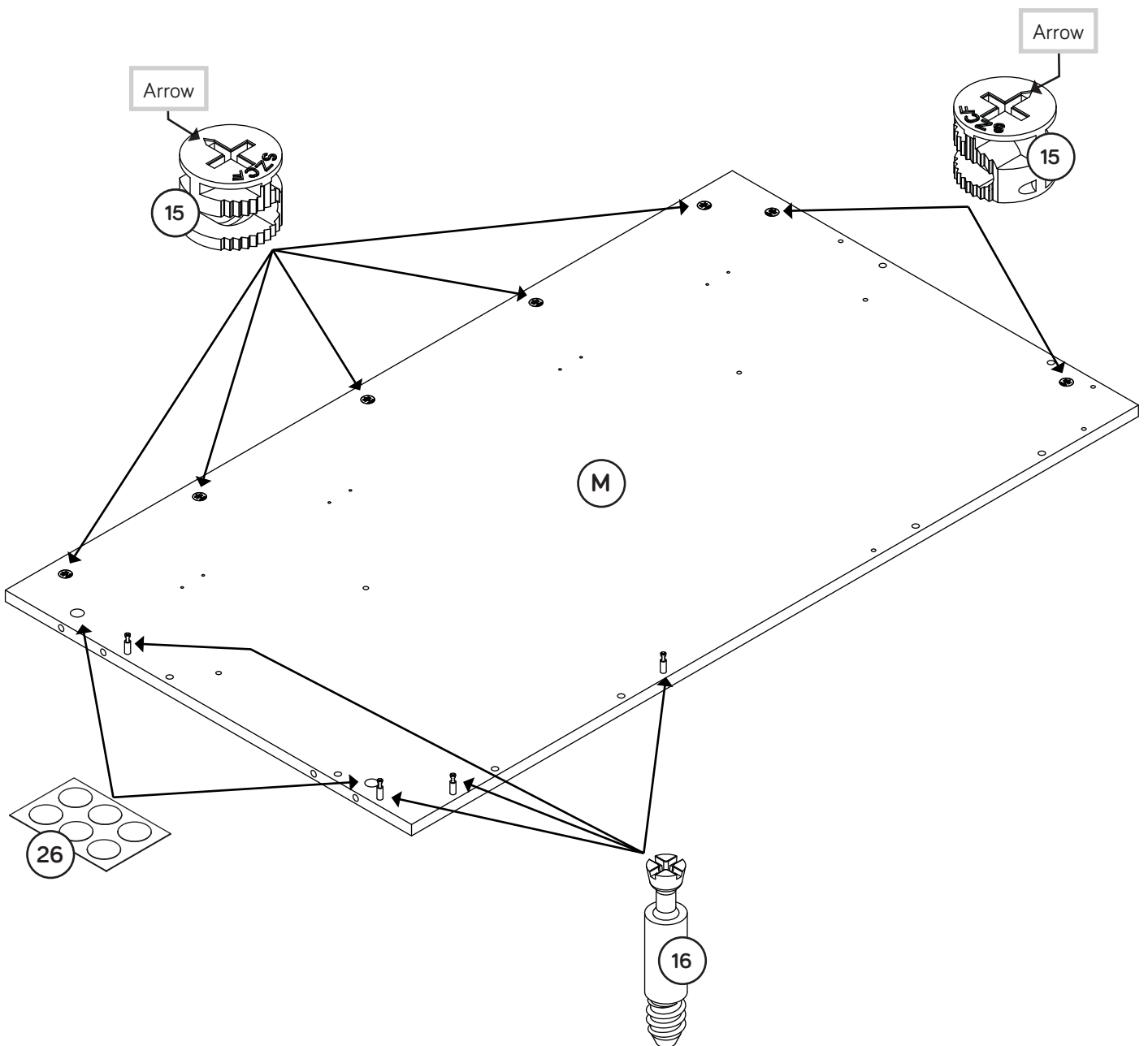
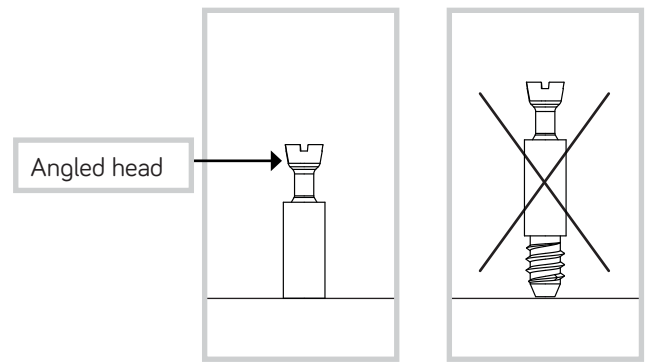
Step 29

- ✚ With someone's help, carefully stand the return assembly upright and place it near its final location.
- ✚ Insert two LONG WOOD DOWELS (19) into the exact holes shown in the RETURN UPRIGHT (D) and RETURN LEFT END (OO).
- ✚ Fasten the RETURN TOP (F) to the UPRIGHTS (C and D), RETURN SMALL BACK (L), RETURN BACK (N), and RETURN LEFT END (OO). Tighten twelve HIDDEN CAMS.
- ✚ **NOTE:** Be sure the WOOD DOWELS in the RETURN UPRIGHT and RETURN LEFT END inserts into the holes in the RETURN TOP.



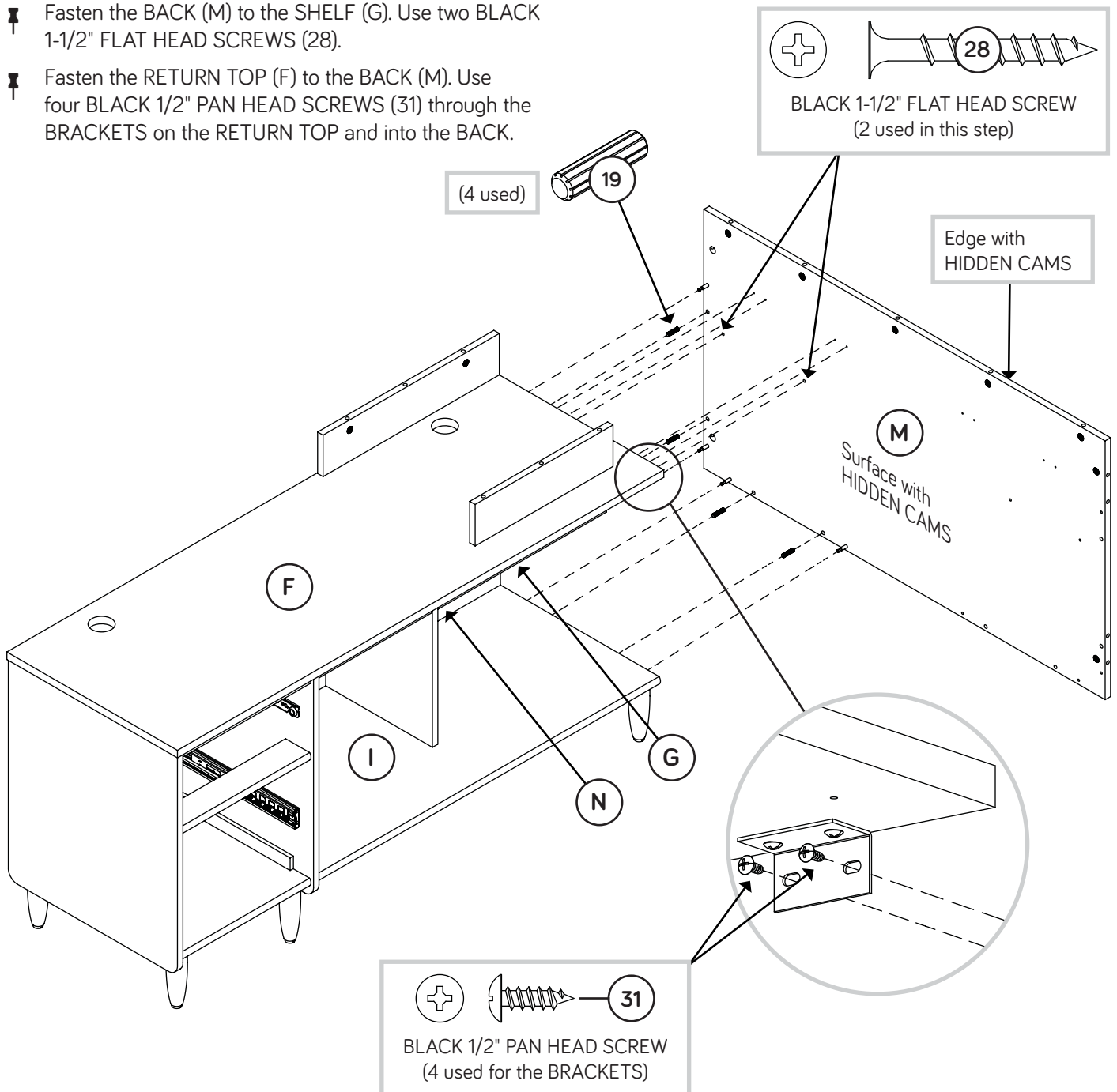
Step 30

- 🔌 **NOTE:** Be sure to position the BACK (M) exactly as shown.
- 🔌 Turn four ANGLED HEAD CAM SCREWS (16) into the exact holes shown in the BACK (M).
- 🔌 Push seven HIDDEN CAMS (15) into the exact holes shown in the BACK (M).
- 🔌 Peel two APPLIQUES from the APPLIQUE CARD (26) and stick them over the two large holes in the BACK (M).



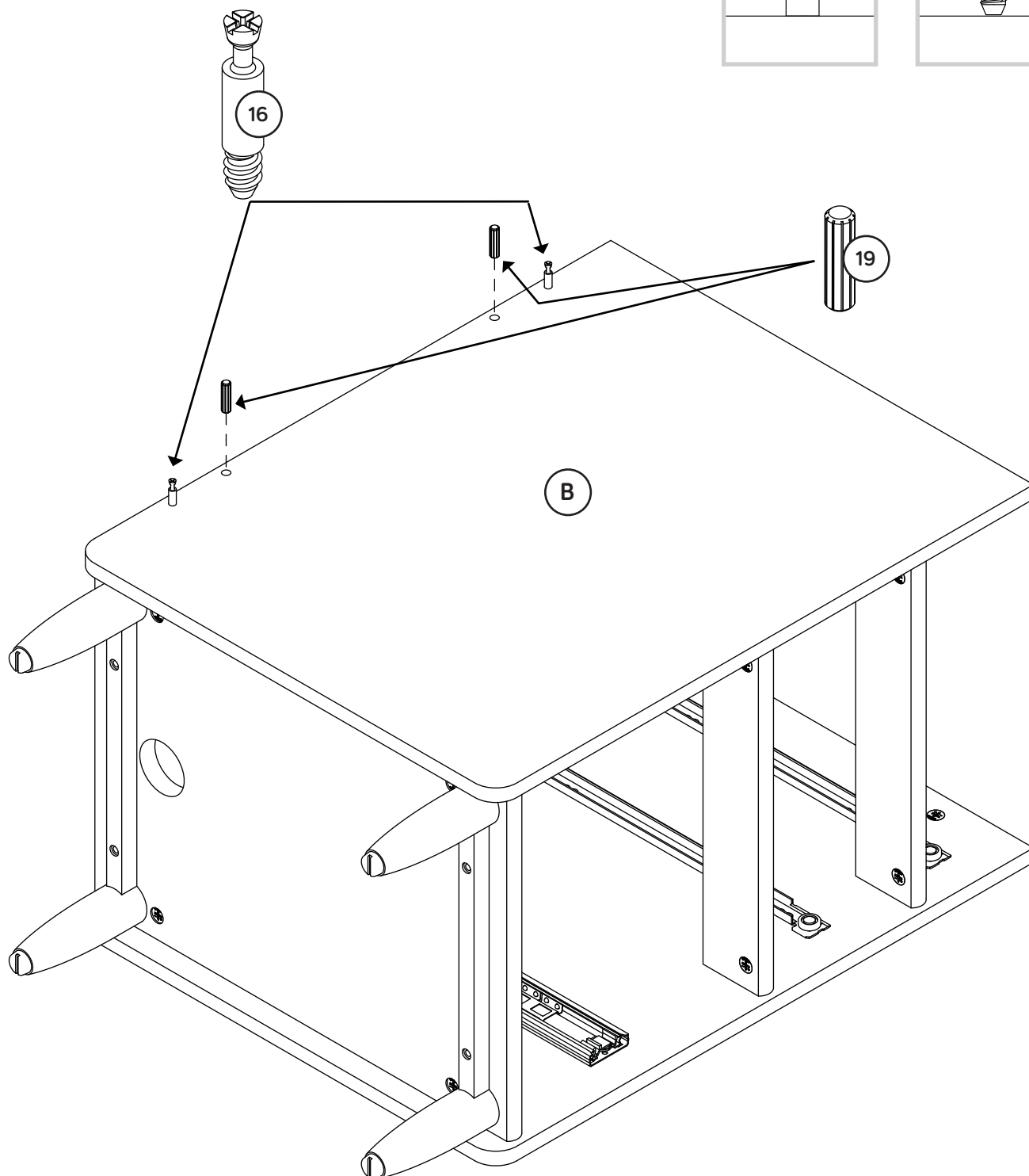
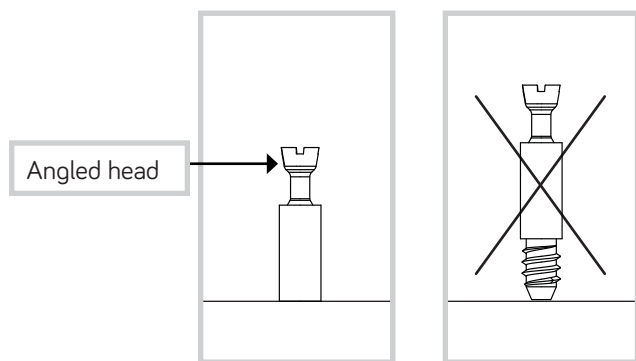
Step 31

- ✚ **NOTE:** You may need someone's help in this step.
- ✚ Insert four LONG WOOD DOWELS (19) into the exact holes shown in the BACK (M).
- ✚ Fasten the BACK (M) to the BOTTOM (I) and RETURN BACK (N). Tighten four HIDDEN CAMS.
- ✚ **NOTE:** Be sure the WOOD DOWELS in the BACK inserts into the holes in the BOTTOM and RETURN BACK
- ✚ Fasten the BACK (M) to the SHELF (G). Use two BLACK 1-1/2" FLAT HEAD SCREWS (28).
- ✚ Fasten the RETURN TOP (F) to the BACK (M). Use four BLACK 1/2" PAN HEAD SCREWS (31) through the BRACKETS on the RETURN TOP and into the BACK.



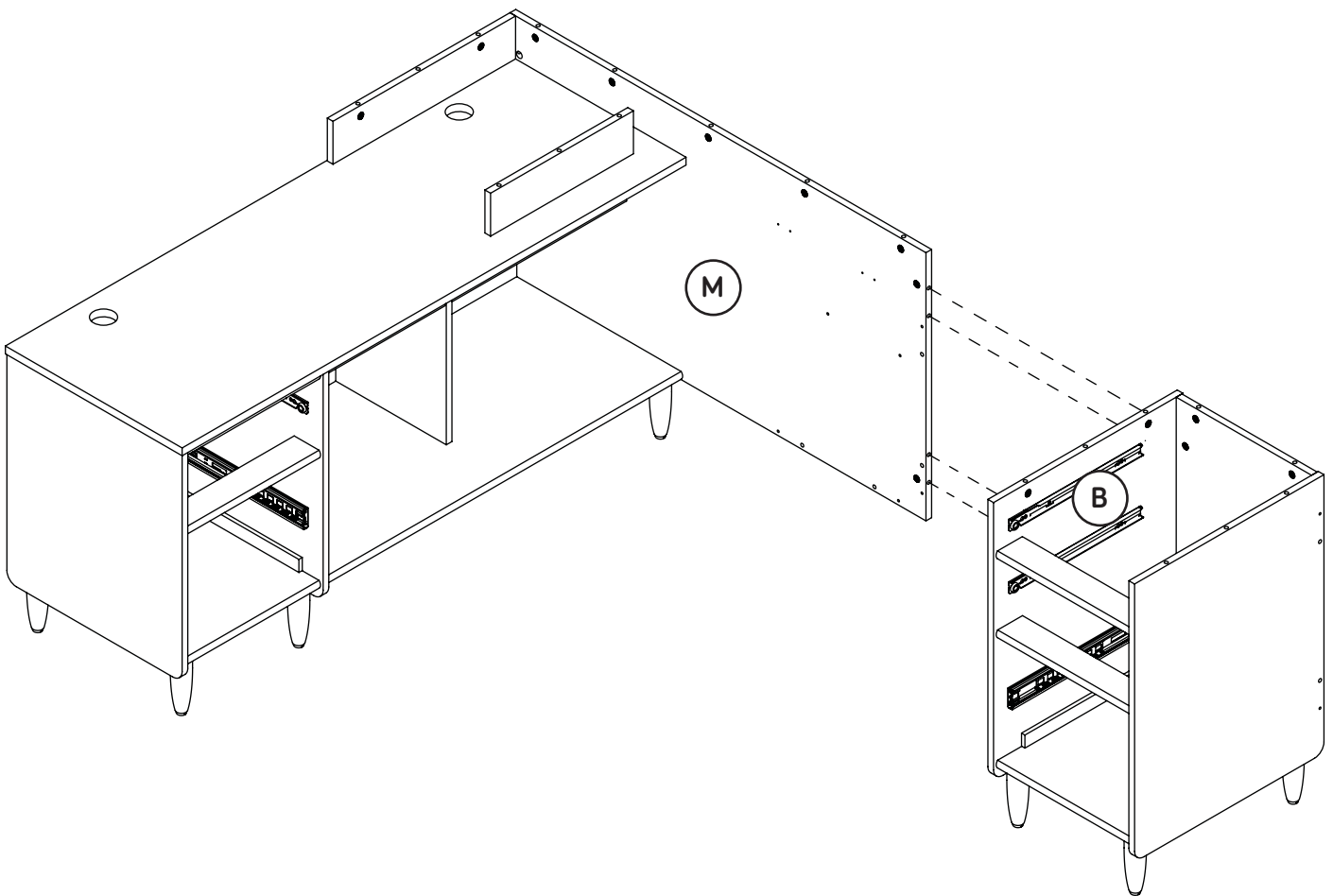
Step 32

- ✚ Turn two ANGLED HEAD CAM SCREWS (16) into the exact holes shown in the LEFT END (B).
- ✚ Insert two LONG WOOD DOWELS (19) into the exact holes shown in the LEFT END (B).



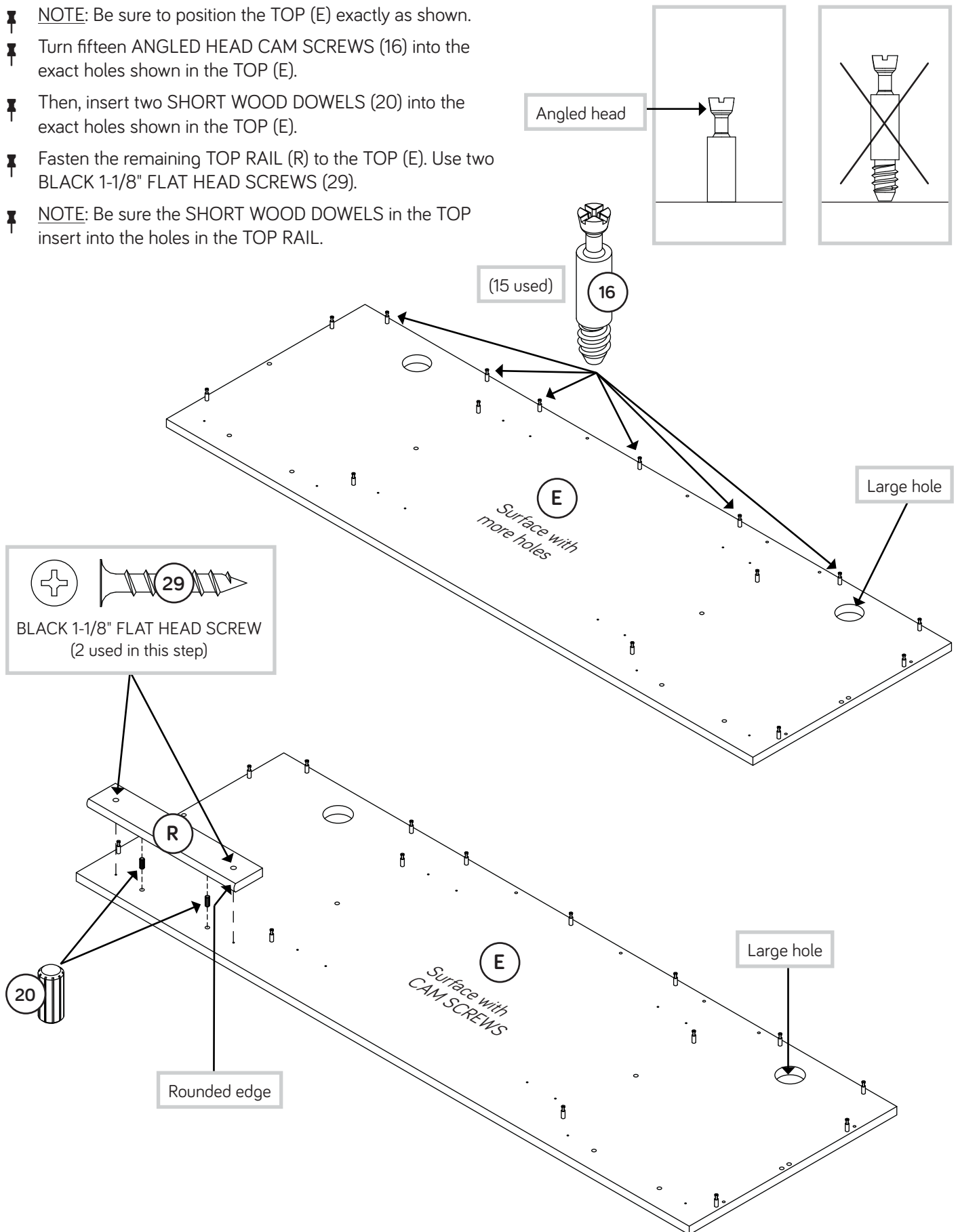
Step 33

- 🔩 **NOTE:** You may need someone's help in this step.
- 🔩 Fasten the LEFT END (B) to the BACK (M). Tighten two HIDDEN CAMS.
- 🔩 **NOTE:** Be sure the WOOD DOWELS in the LEFT END insert into the holes in the BACK



Step 34

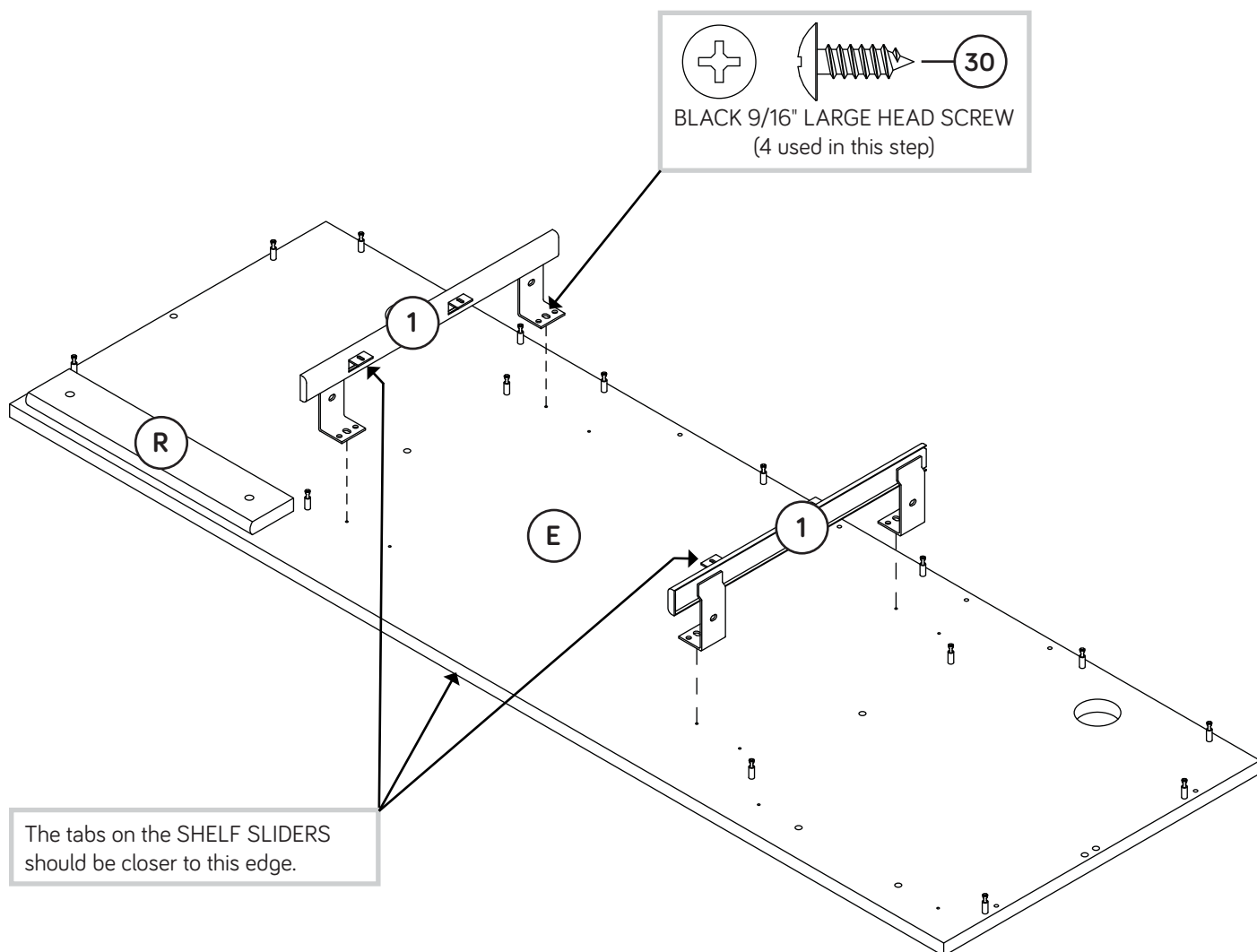
- NOTE: Be sure to position the TOP (E) exactly as shown.
- Turn fifteen ANGLED HEAD CAM SCREWS (16) into the exact holes shown in the TOP (E).
- Then, insert two SHORT WOOD DOWELS (20) into the exact holes shown in the TOP (E).
- Fasten the remaining TOP RAIL (R) to the TOP (E). Use two BLACK 1-1/8" FLAT HEAD SCREWS (29).
- NOTE: Be sure the SHORT WOOD DOWELS in the TOP insert into the holes in the TOP RAIL.



Step 35

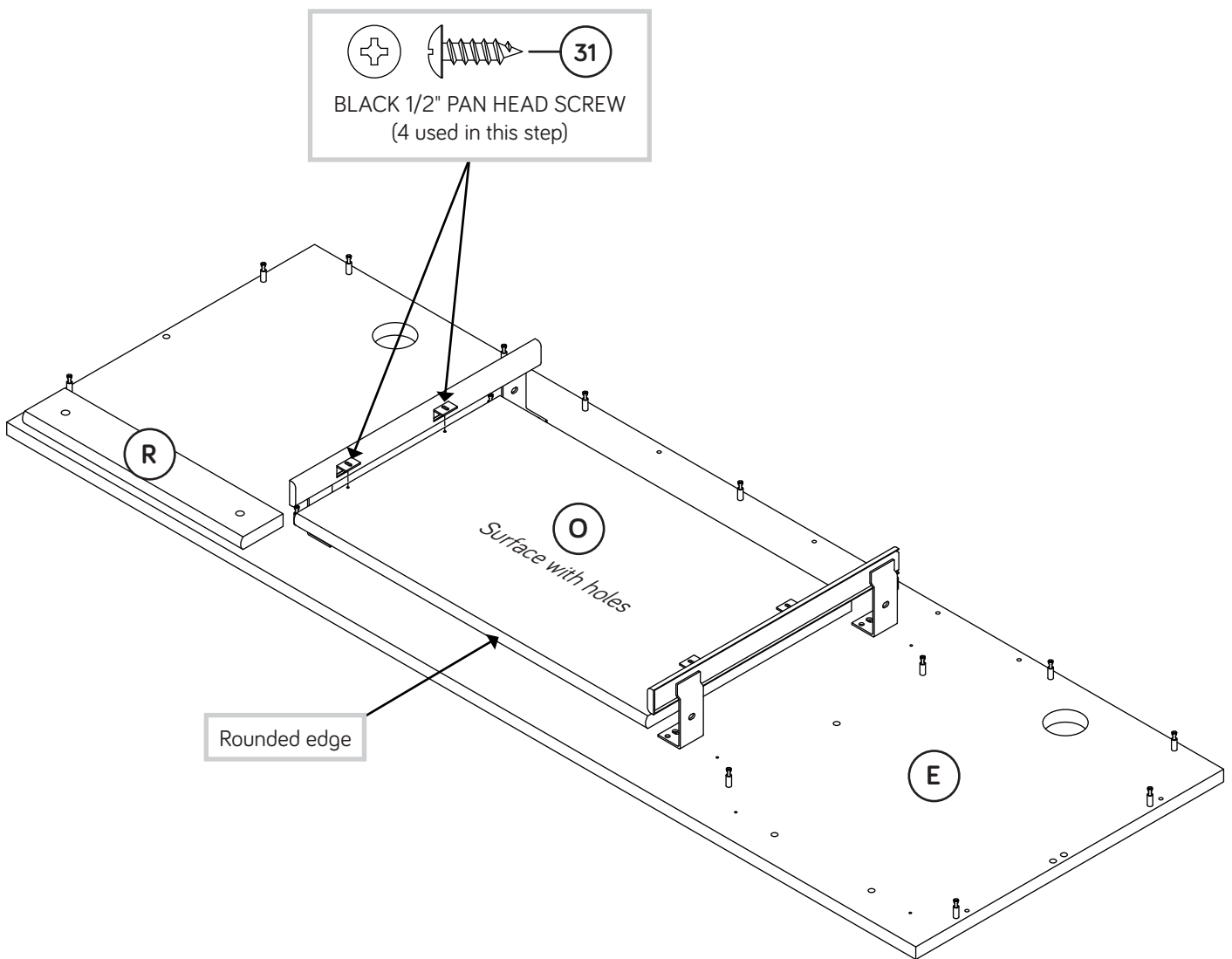
Fasten the SHELF SLIDER SET (1) to the TOP (E). Use four BLACK 9/16" LARGE HEAD SCREWS (30).

NOTE: Be sure to use the center hole in the SHELF SLIDERS.



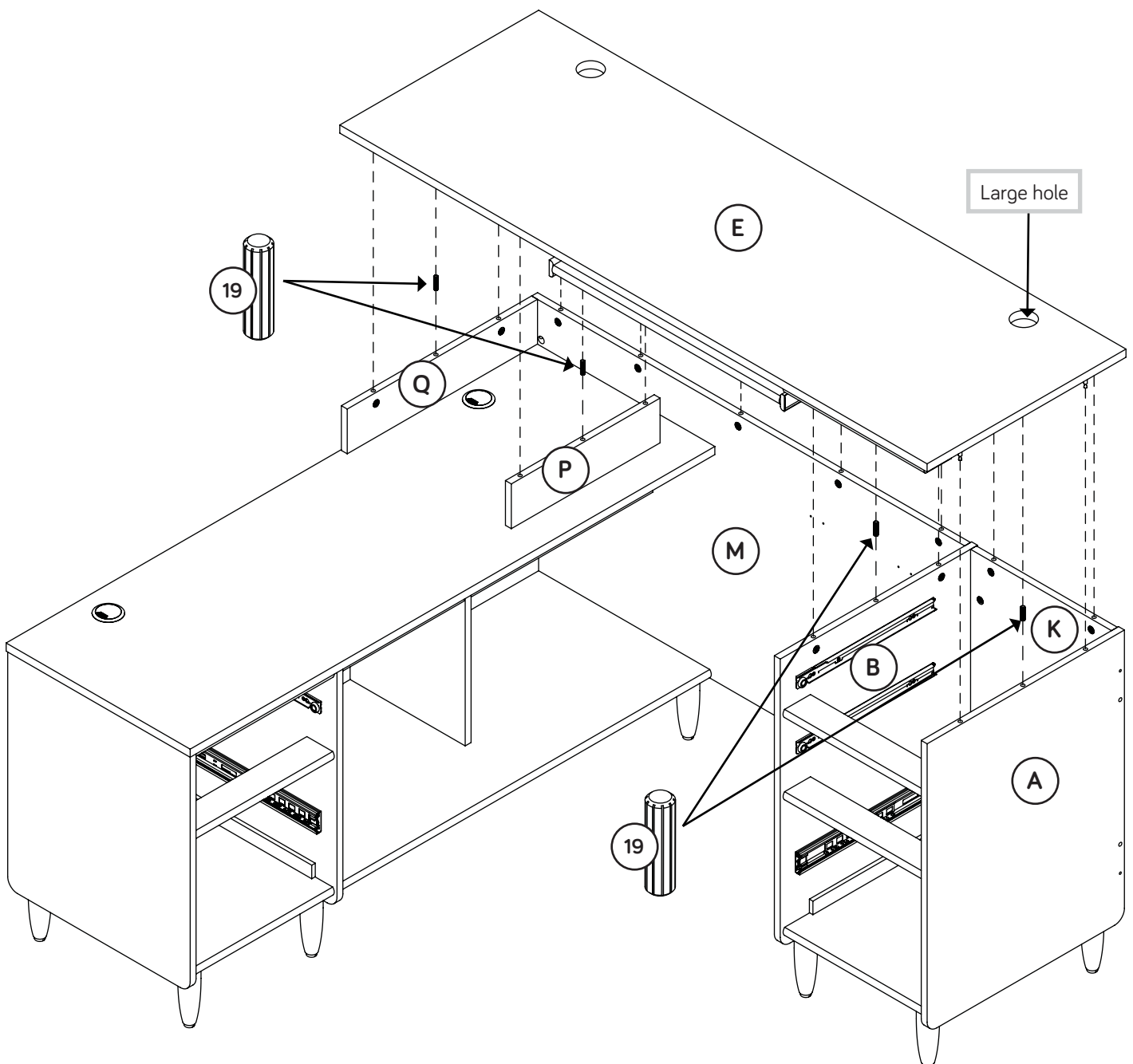
Step 36

- Fasten the KEYBOARD SHELF (O) to the SHELF SLIDERS on the TOP (E). Use four BLACK 9/16" PAN HEAD SCREWS (31).



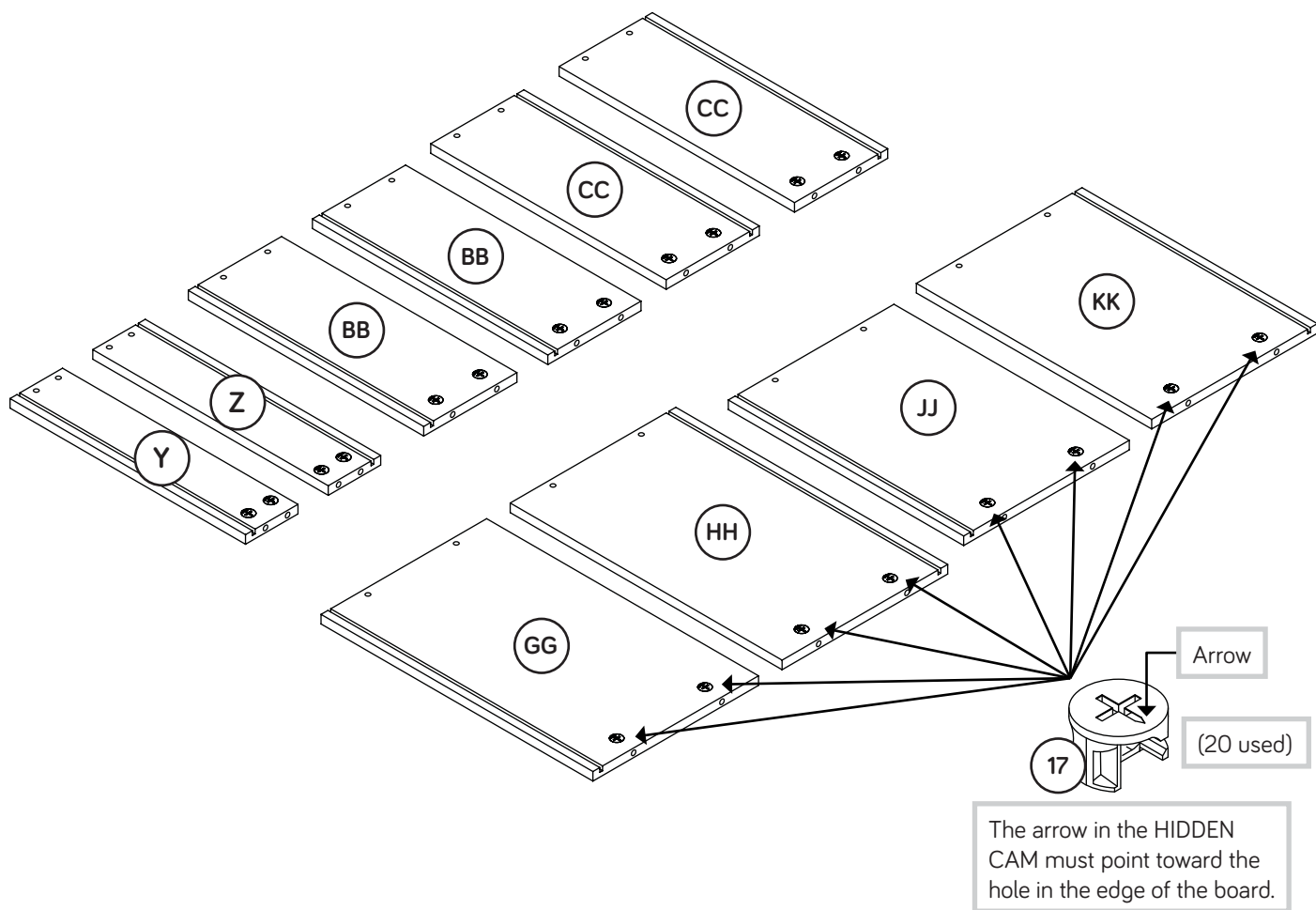
Step 37

- ✚ **NOTE:** You may need someone's help in this step.
- ✚ Insert four LONG WOOD DOWELS (19) into the exact holes shown in the ENDS (A and B) and UPRIGHTS (P and Q).
- ✚ Fasten the TOP (E) to the ENDS (A and B), BACKS (K and M), and UPRIGHTS (P and Q). Tighten fifteen HIDDEN CAMS.
- ✚ **NOTE:** Be sure the WOOD DOWELS in the ENDS and UPRIGHTS inserts into the holes in the TOP.



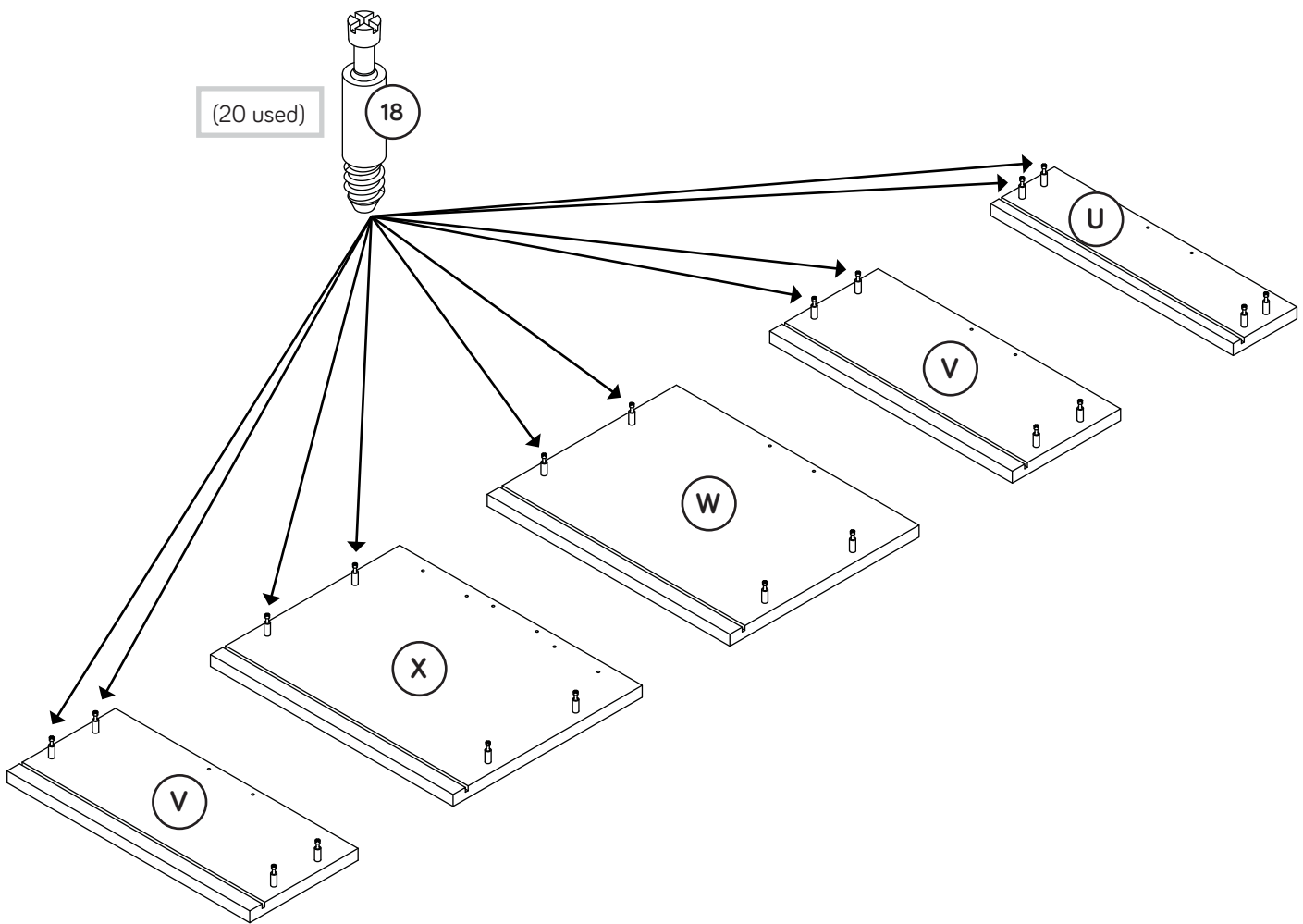
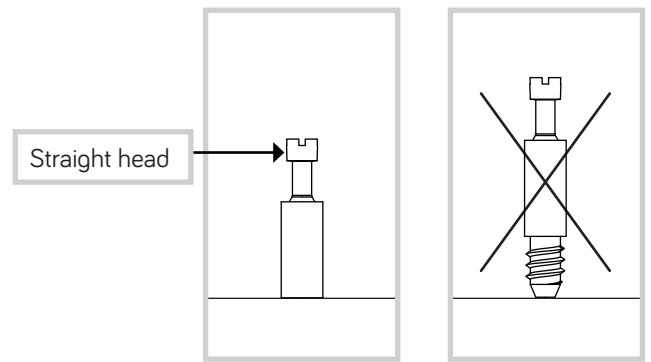
Step 38

- ✚ Insert twenty SMALL HIDDEN CAMS (17) into the DRAWER SIDES (Y, Z, BB, CC, GG, HH, JJ, and KK).



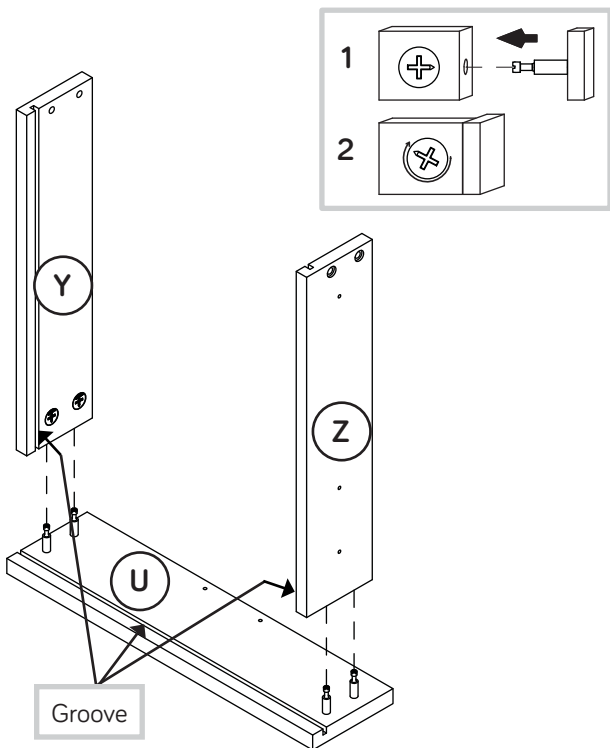
Step 39

- Turn twenty STRAIGHT HEAD CAM SCREWS (18) into the DRAWER FRONTS (U, V, W, and X).



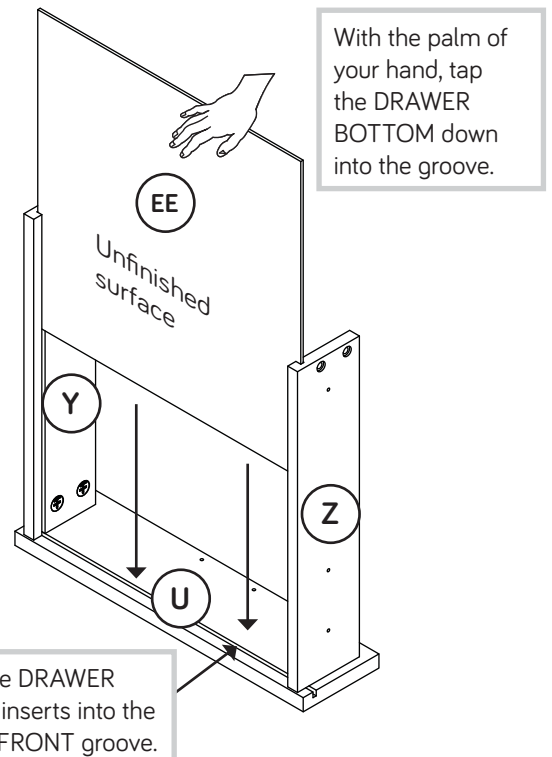
Step 40

1



Fasten the SMALL DRAWER SIDES (Y and Z) to the SMALL DRAWER FRONT (U). Tighten four HIDDEN CAMS.

2

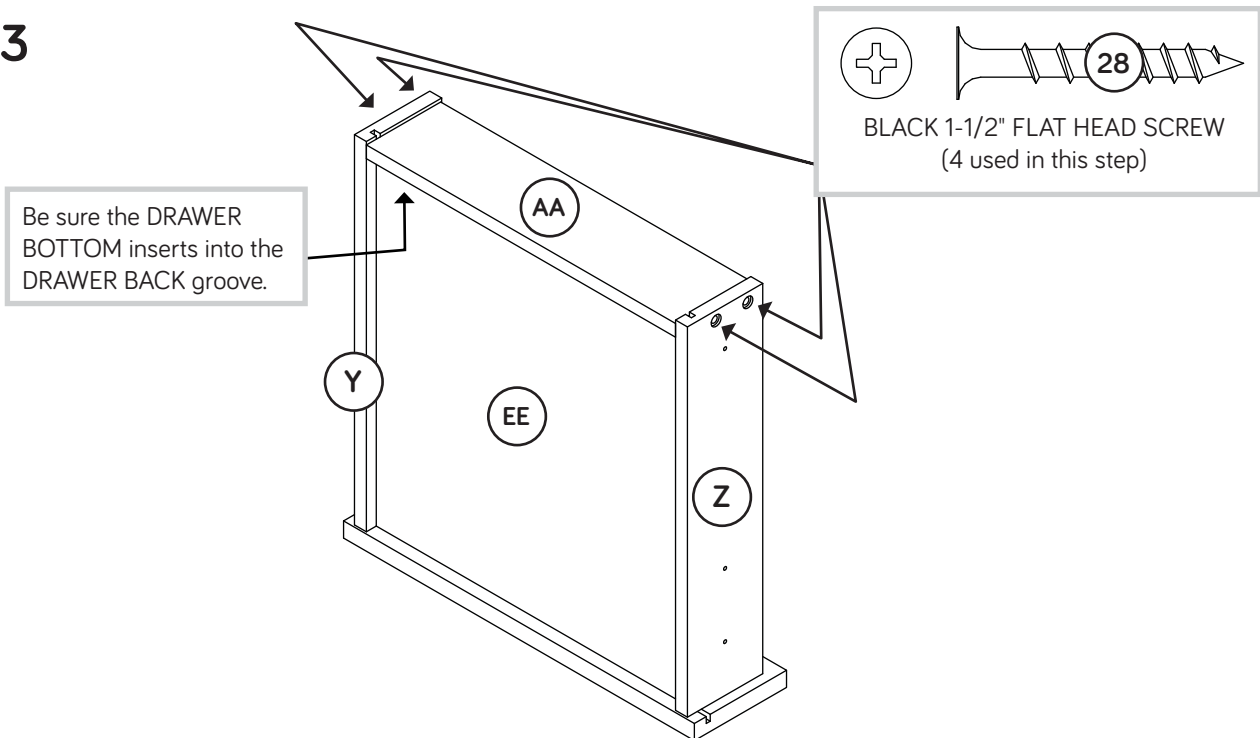


Be sure the DRAWER BOTTOM inserts into the DRAWER FRONT groove.

With the palm of your hand, tap the DRAWER BOTTOM down into the groove.

Slide the DRAWER BOTTOM (EE) into the grooves in the SMALL DRAWER SIDES (Y and Z) and SMALL DRAWER FRONT (U).

3



Be sure the DRAWER BOTTOM inserts into the DRAWER BACK groove.

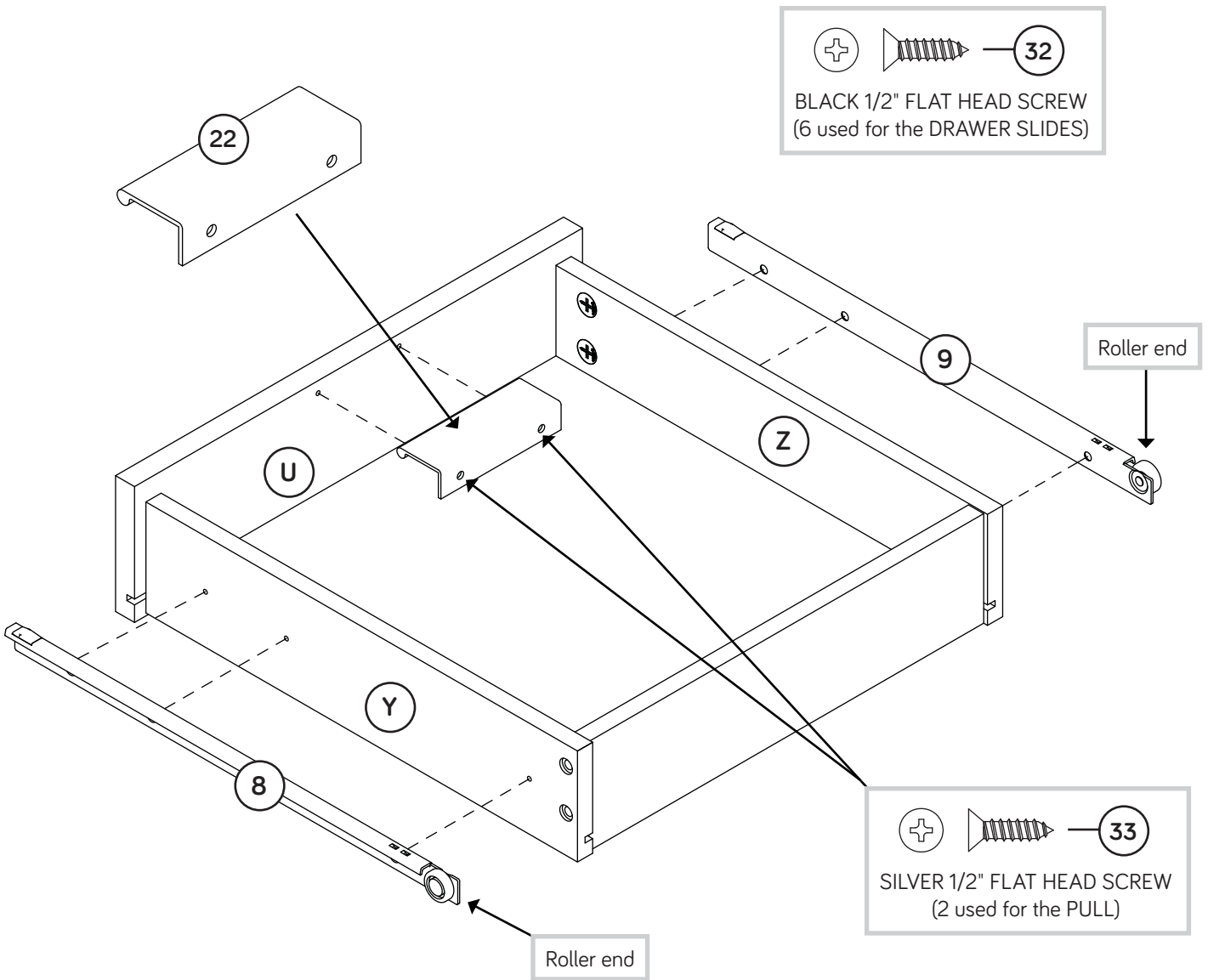
BLACK 1-1/2" FLAT HEAD SCREW (4 used in this step)

Fasten the SMALL DRAWER BACK (AA) to the SMALL DRAWER SIDES (Y and Z). Use four BLACK 1-1/2" FLAT HEAD SCREWS (28).

NOTE: Be sure the DRAWER BOTTOM (EE) inserts into the groove of the SMALL DRAWER BACK (AA).

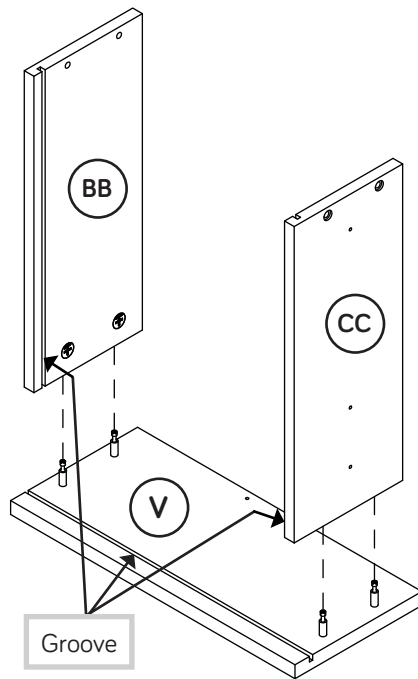
Step 41

- Fasten the DRAWER SLIDES (8 and 9) to the SMALL DRAWER SIDES (Y and Z). Use six BLACK 1/2" FLAT HEAD SCREWS (32).
- Fasten a PULL (22) to the SMALL DRAWER FRONT (U). Use two SILVER 1/2" FLAT HEAD SCREWS (33).



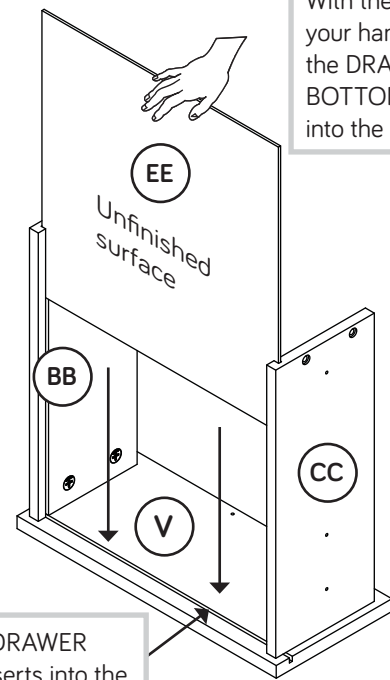
Step 42

1



- Fasten the DRAWER SIDES (BB and CC) to the DRAWER FRONT (V). Tighten four HIDDEN CAMS.

2

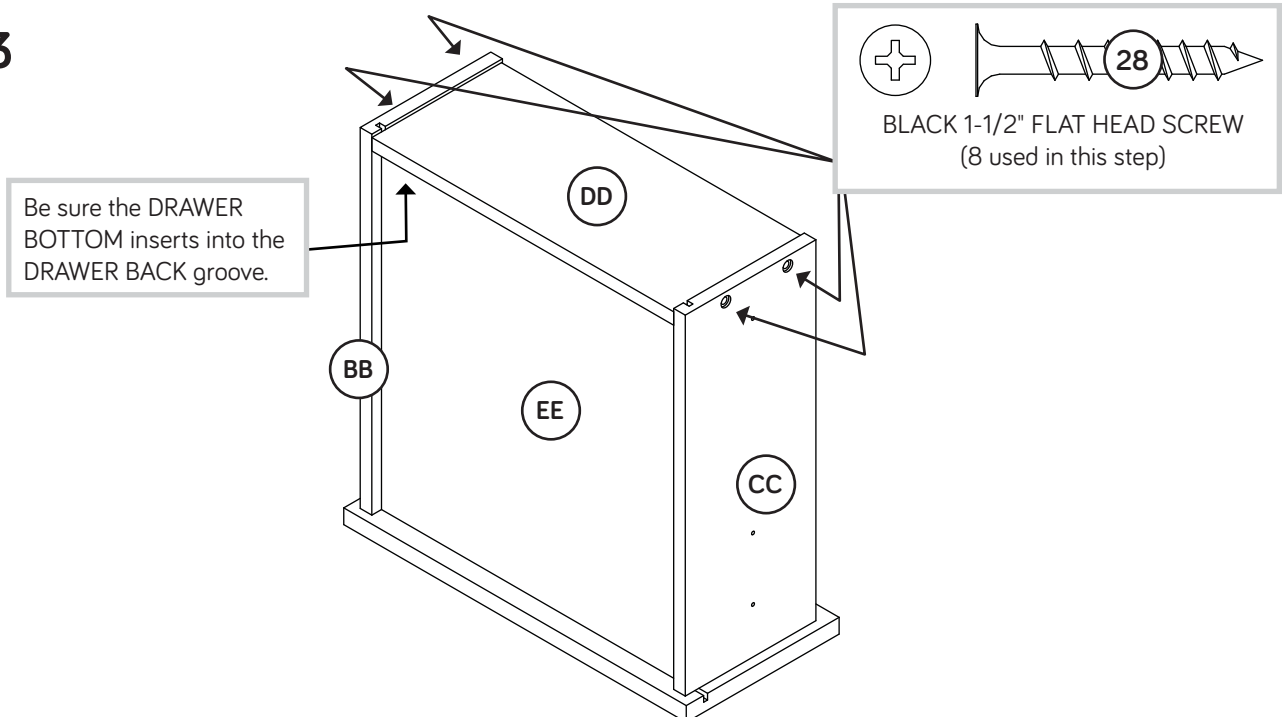


With the palm of your hand, tap the DRAWER BOTTOM down into the groove.

Be sure the DRAWER BOTTOM inserts into the DRAWER FRONT groove.

- Slide the DRAWER BOTTOM (EE) into the grooves in the DRAWER SIDES (BB and CC) and DRAWER FRONT (V).

3



Be sure the DRAWER BOTTOM inserts into the DRAWER BACK groove.



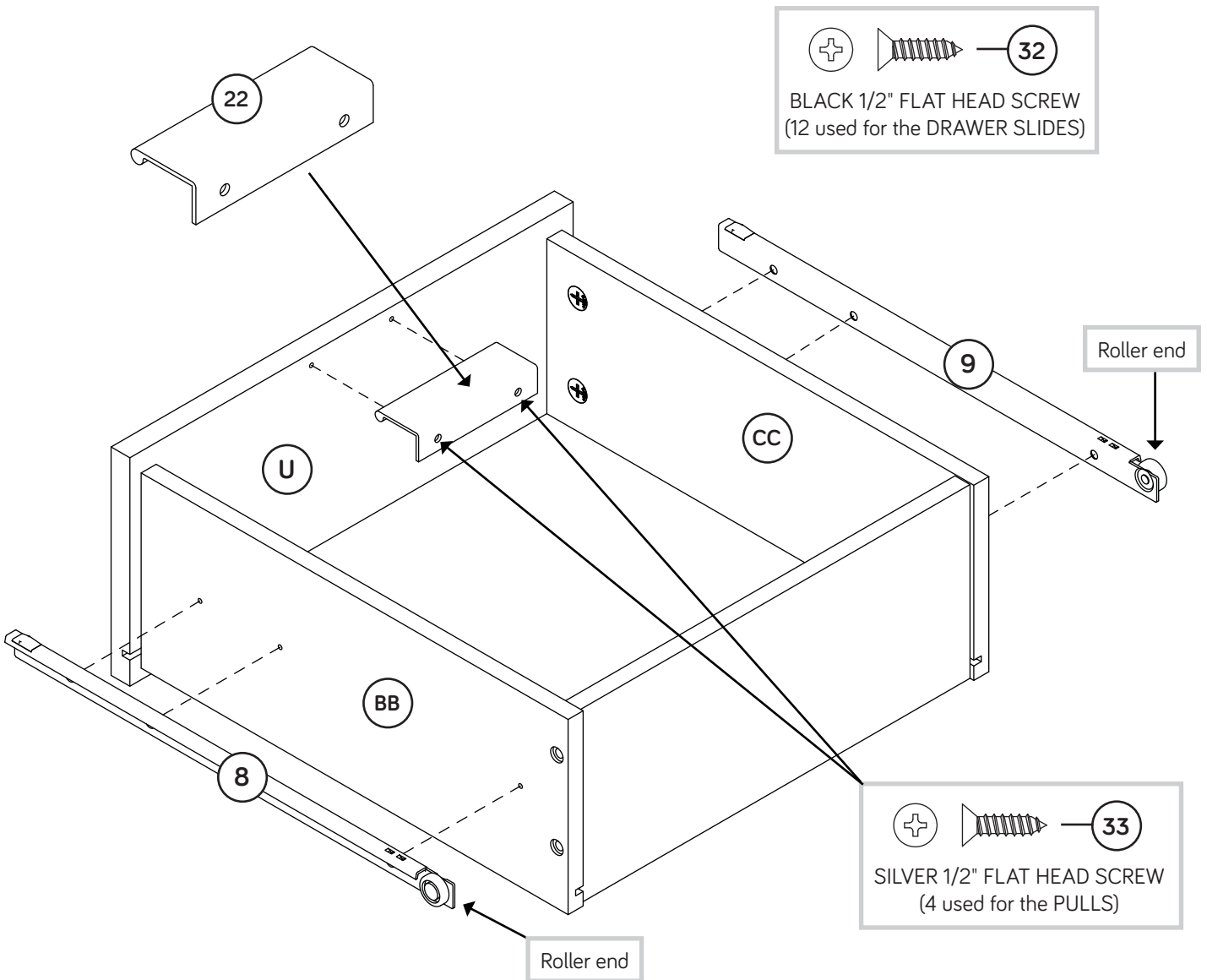
28

BLACK 1-1/2" FLAT HEAD SCREW
(8 used in this step)

- Fasten the DRAWER BACK (DD) to the DRAWER SIDES (BB and CC). Use four BLACK 1-1/2" FLAT HEAD SCREWS (28).
- NOTE:** Be sure the DRAWER BOTTOM (EE) inserts into the groove of the DRAWER BACK (DD).
- Repeat this step for the remaining DRAWER FRONT (V), DRAWER SIDES (BB and CC), DRAWER BACK (DD), and DRAWER BOTTOM (EE).

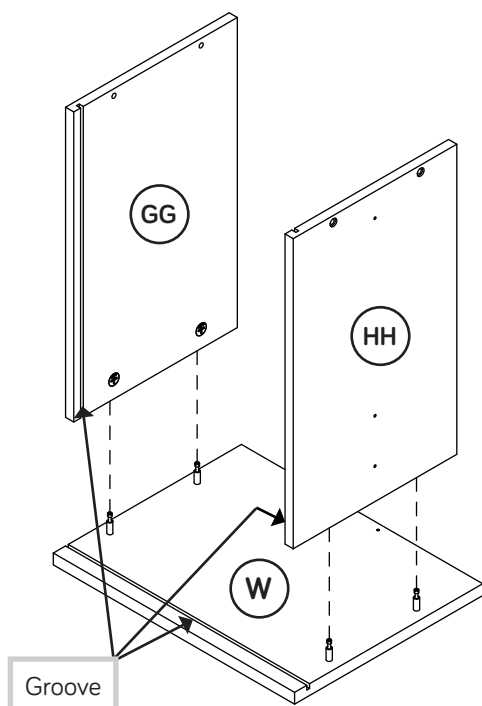
Step 43

- Fasten the DRAWER SLIDES (8 and 9) to the DRAWER SIDES (BB and CC). Use six BLACK 1/2" FLAT HEAD SCREWS (32).
- Fasten a PULL (22) to the DRAWER FRONT (V). Use two SILVER 1/2" FLAT HEAD SCREWS (33).
- Repeat this step for the other drawer.



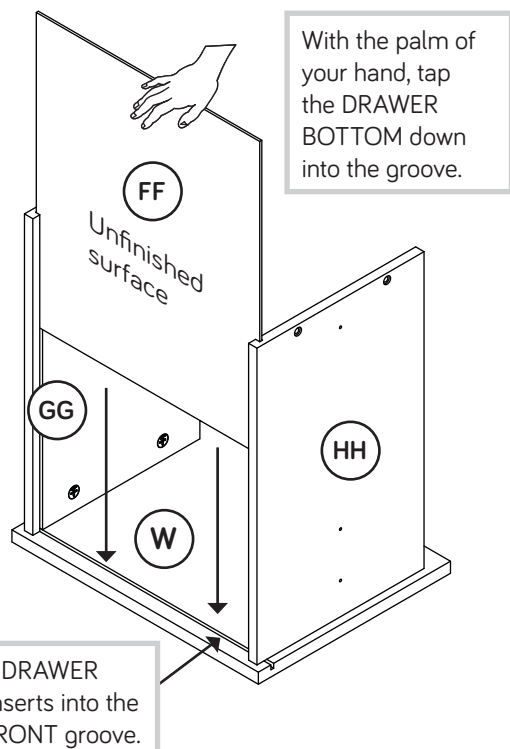
Step 44

1



- Fasten the LARGE DRAWER SIDES (GG and HH) to the LARGE DRAWER FRONT (W). Tighten four HIDDEN CAMS.

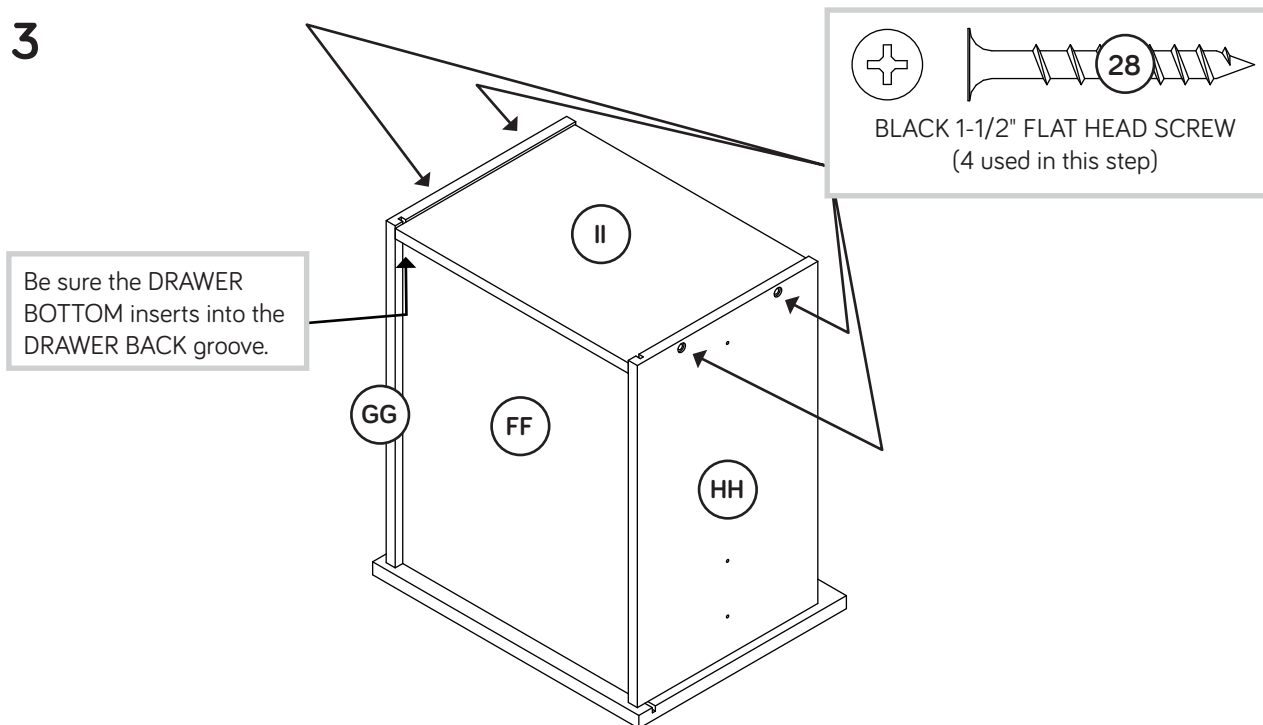
2



Be sure the DRAWER BOTTOM inserts into the DRAWER FRONT groove.

- Slide the LARGE DRAWER BOTTOM (FF) into the grooves in the LARGE DRAWER SIDES (GG and HH) and LARGE DRAWER FRONT (W).

3



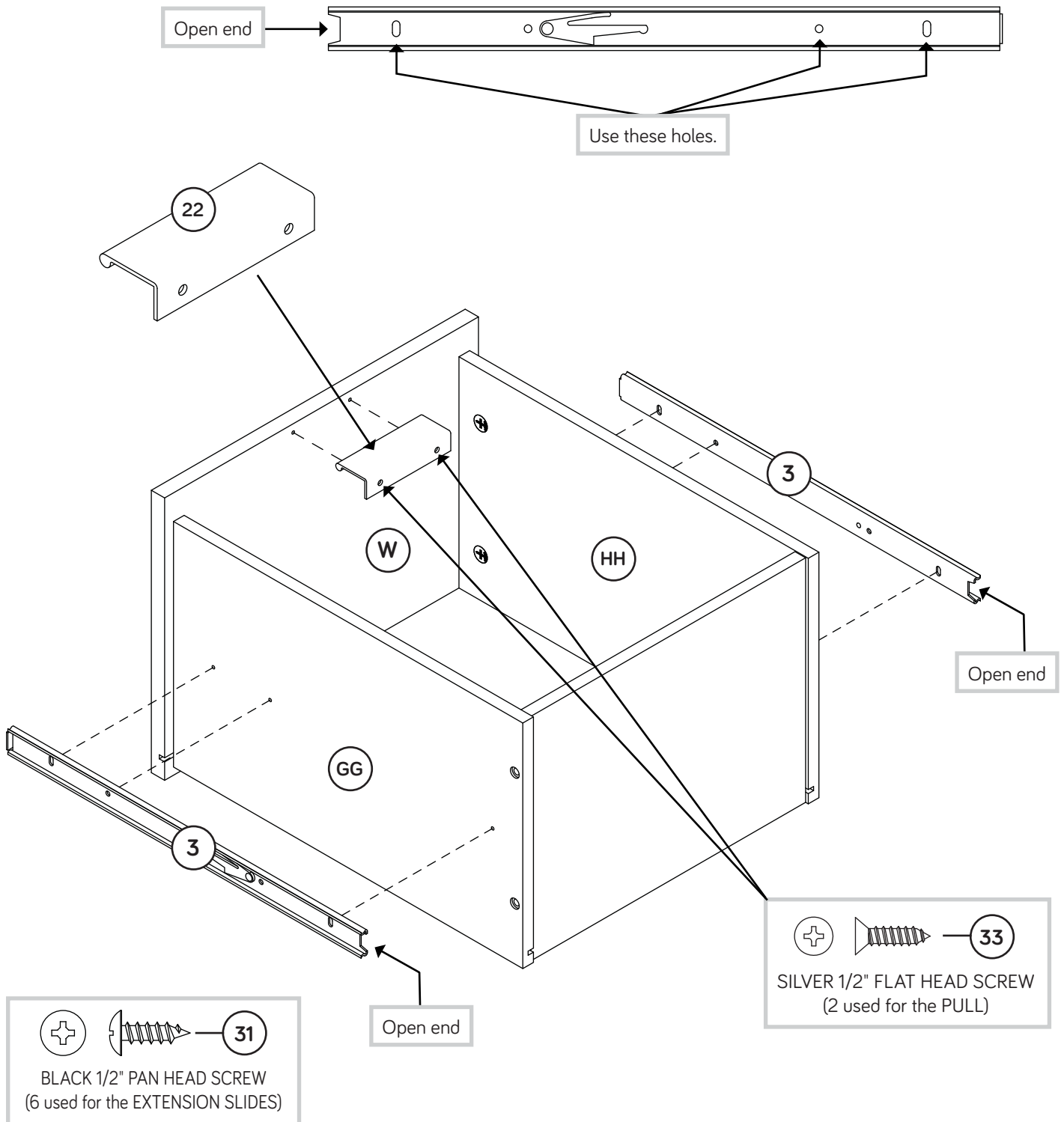
Be sure the DRAWER BOTTOM inserts into the DRAWER BACK groove.

- Fasten the LARGE DRAWER BACK (II) to the LARGE DRAWER SIDES (GG and HH). Use four BLACK 1-1/2" FLAT HEAD SCREWS (28).

NOTE: Be sure the LARGE DRAWER BOTTOM (FF) inserts into the groove of the LARGE DRAWER BACK (II).

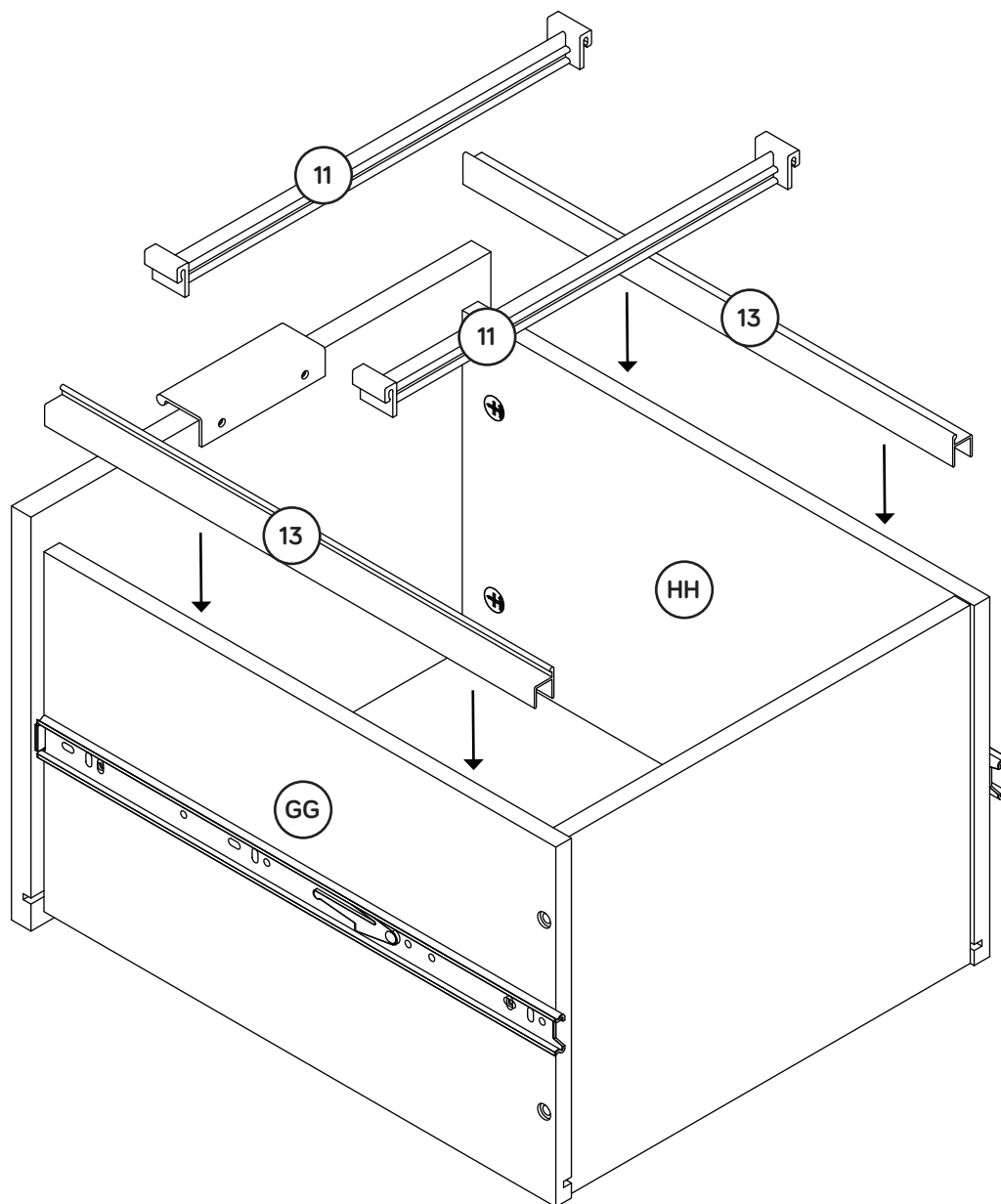
Step 45

- Fasten two LONG EXTENSION SLIDES (3) to the LARGE DRAWER SIDES (GG and HH). Use six BLACK 1/2" PAN HEAD SCREWS (31).
- Fasten a PULL (22) to the LARGE DRAWER FRONT (W). Use two SILVER 1/2" FLAT HEAD SCREWS (33).



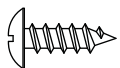
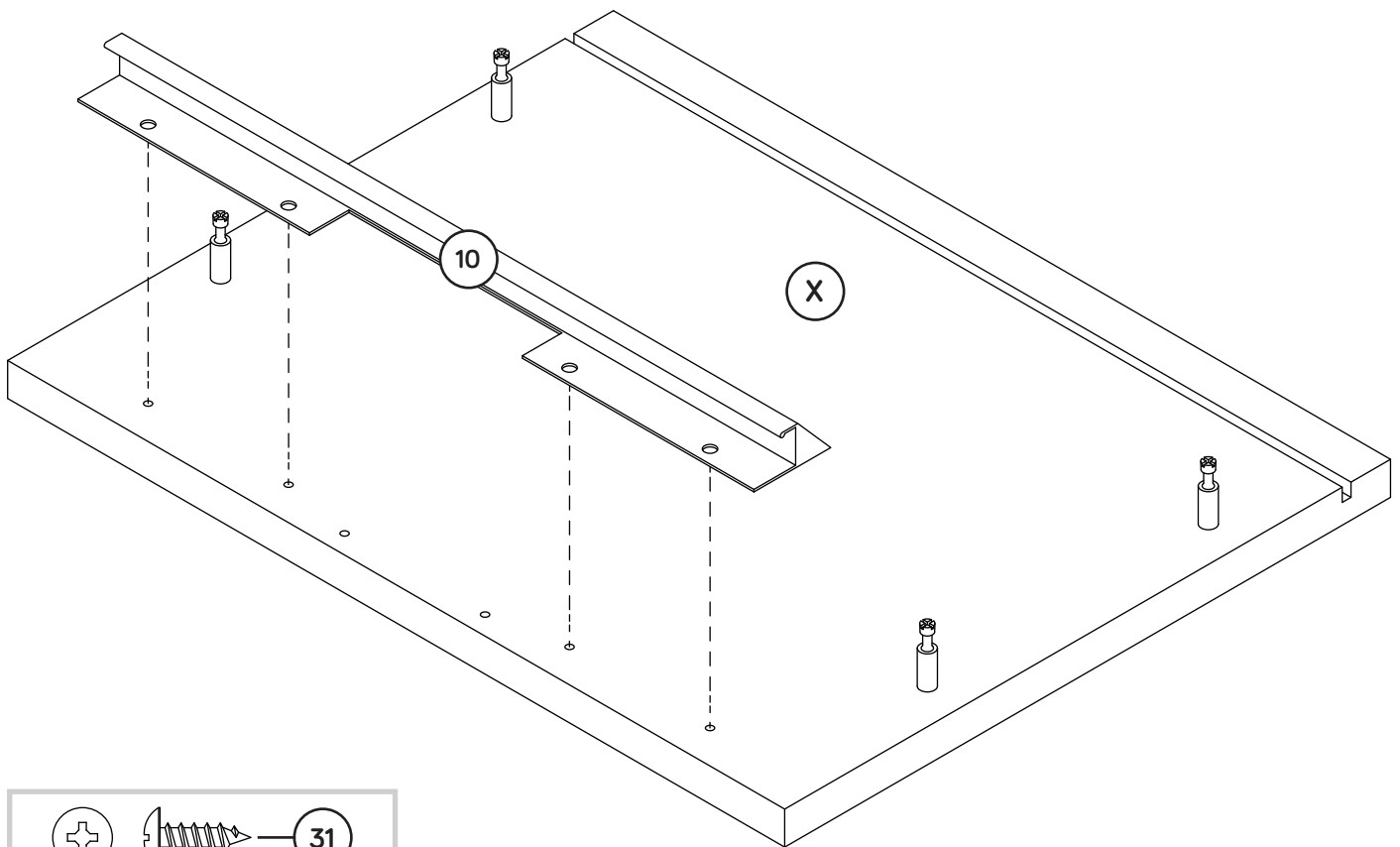
Step 46

- ✚ Push the LONG FILE GLIDES (13) onto the LARGE DRAWER SIDES (GG and HH).
- ✚ Slide two FILE HANGERS (11) onto the LONG FILE GLIDES on the LARGE DRAWER SIDES (GG and HH).



Step 47

- Fasten the FRONT FILE GLIDE (10) to the RETURN DRAWER FRONT (X). Use four BLACK 1/2" PAN HEAD SCREWS (31).

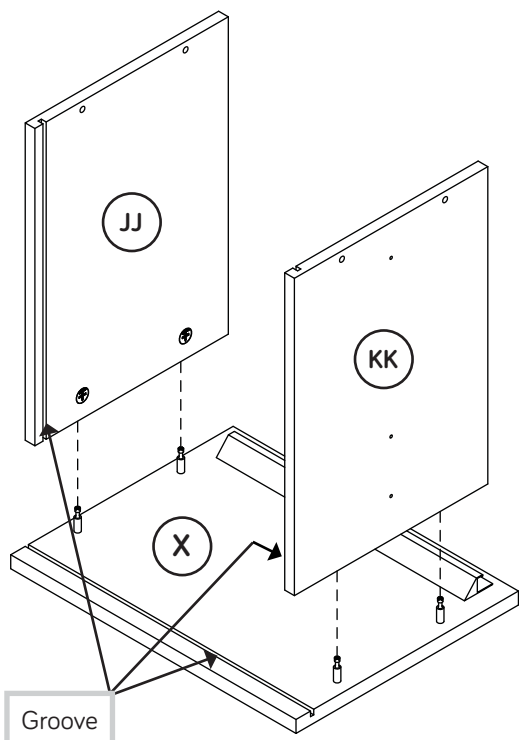


31

BLACK 1/2" PAN HEAD SCREW
(4 used in this step)

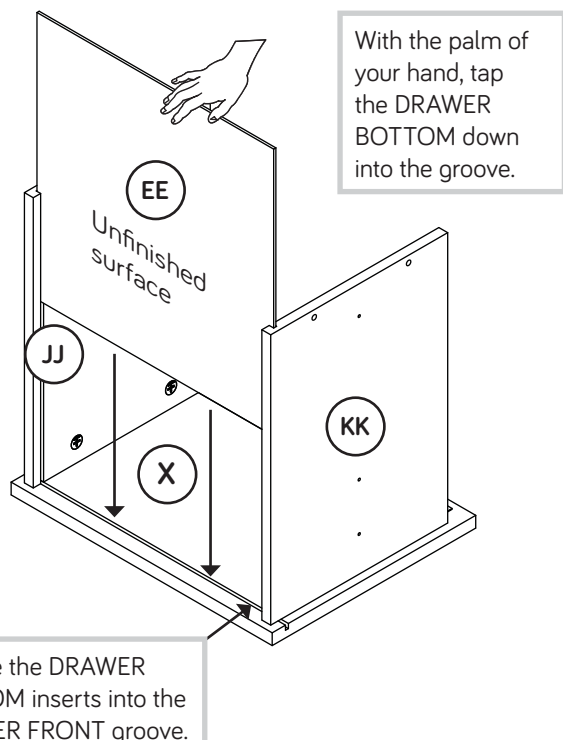
Step 48

1



- Fasten the RETURN DRAWER SIDES (JJ and KK) to the RETURN DRAWER FRONT (X). Tighten four HIDDEN CAMS.

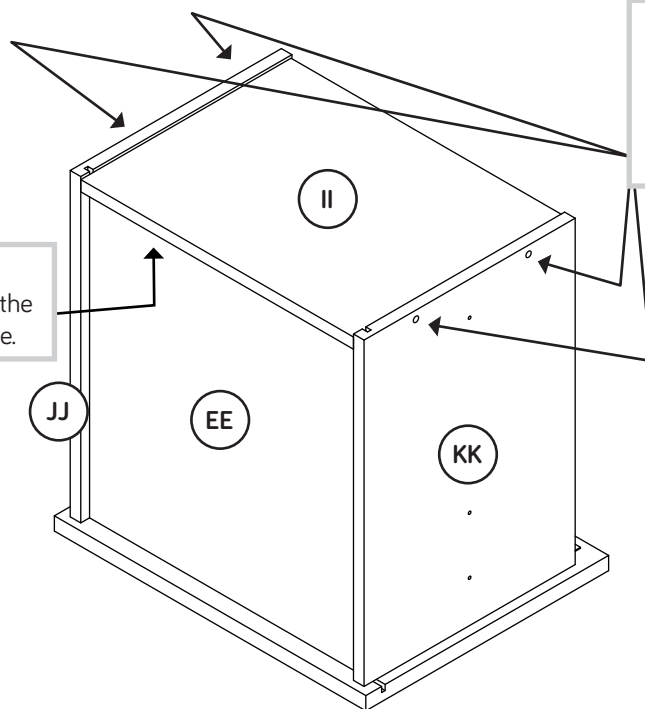
2



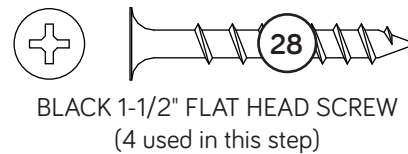
Be sure the DRAWER BOTTOM inserts into the DRAWER FRONT groove.

- Slide the DRAWER BOTTOM (EE) into the grooves in the RETURN DRAWER SIDES (JJ and KK) and RETURN DRAWER FRONT (X).

3



Be sure the DRAWER BOTTOM inserts into the DRAWER BACK groove.

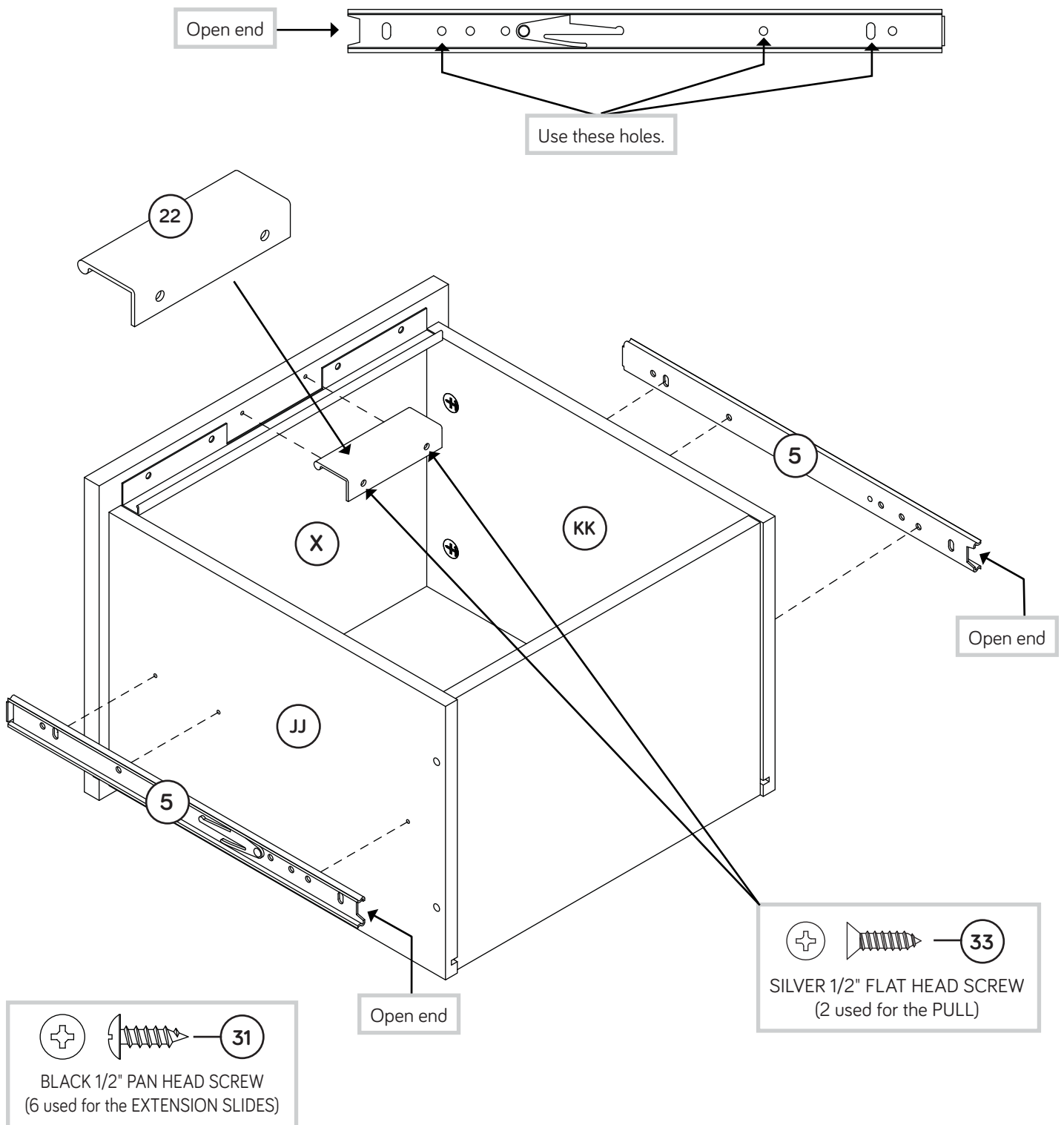


- Fasten the LARGE DRAWER BACK (II) to the RETURN DRAWER SIDES (JJ and KK). Use four BLACK 1-1/2" FLAT HEAD SCREWS (28).

NOTE: Be sure the DRAWER BOTTOM (EE) inserts into the groove of the LARGE DRAWER BACK (II).

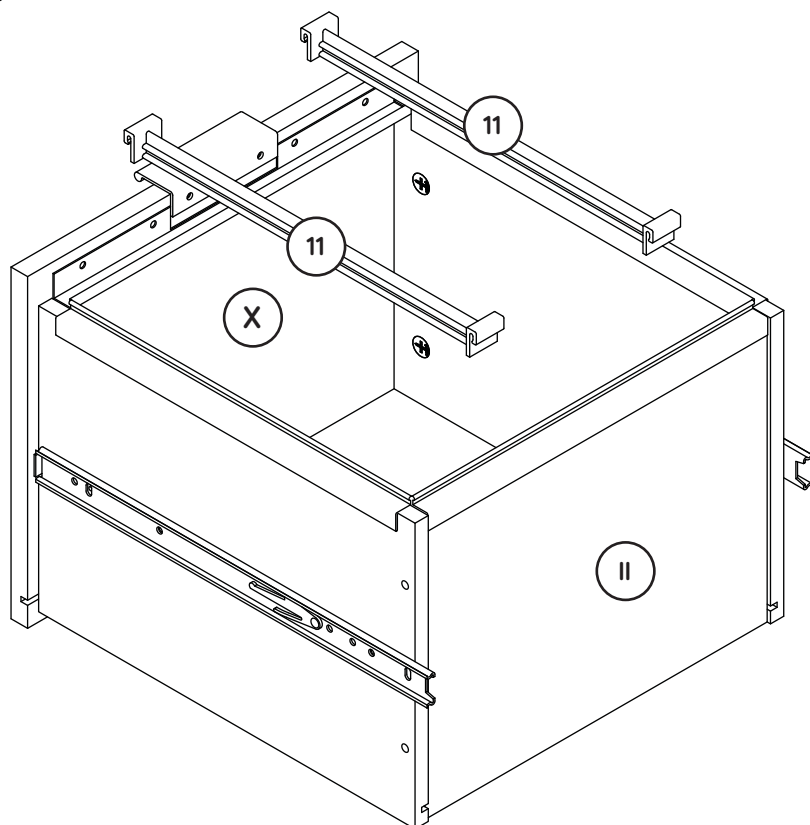
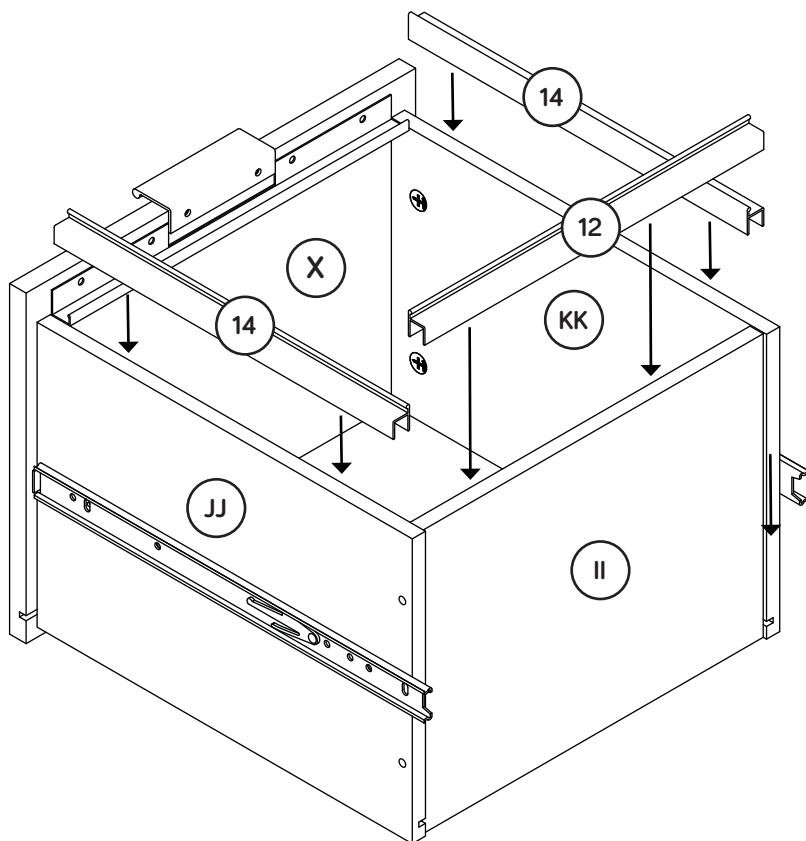
Step 49

- Fasten two EXTENSION SLIDES (5) to the RETURN DRAWER SIDES (JJ and KK). Use six BLACK 1/2" PAN HEAD SCREWS (31).
- Fasten a PULL (22) to the RETURN DRAWER FRONT (X). Use two SILVER 1/2" FLAT HEAD SCREWS (33).



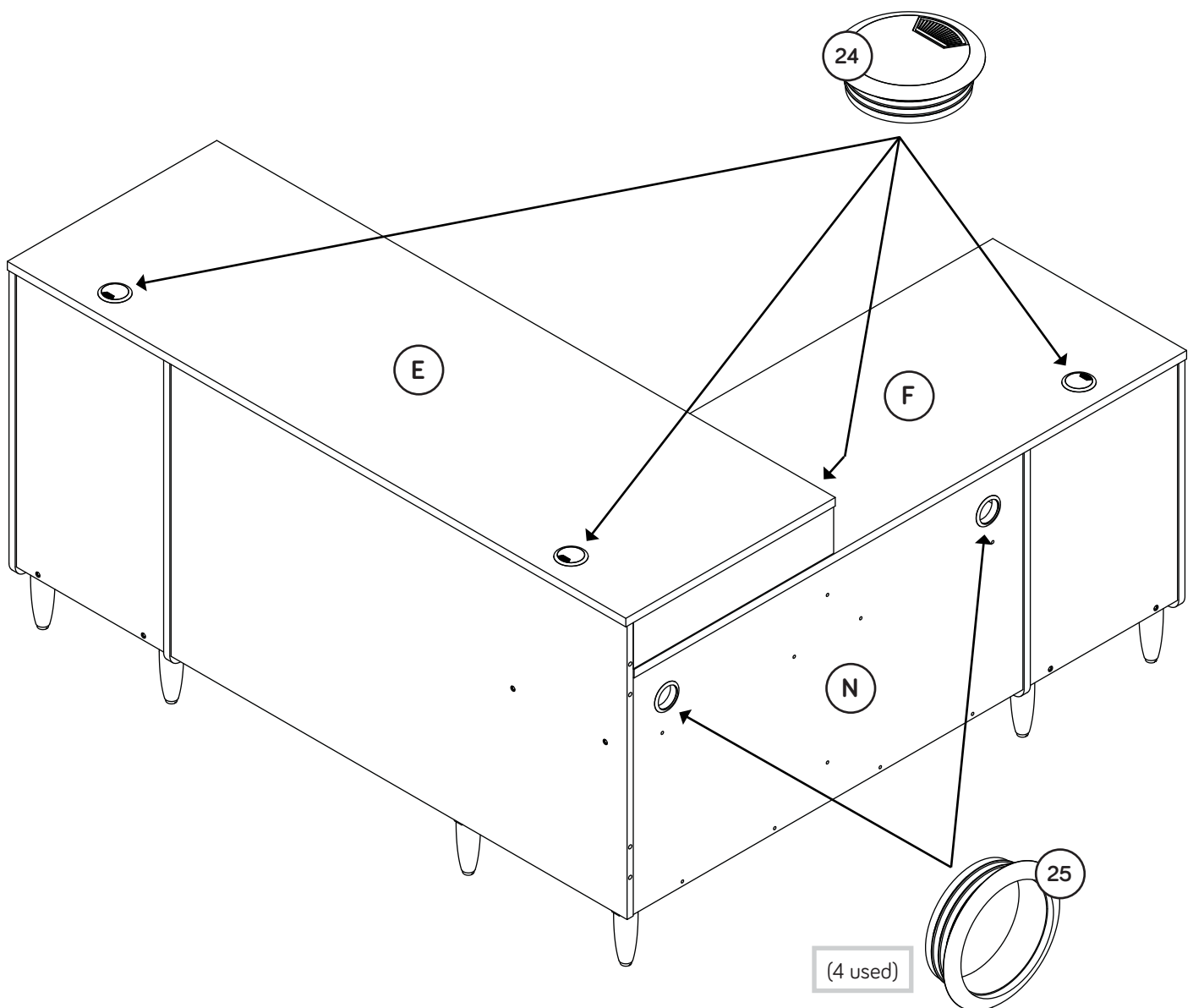
Step 50

- ✚ Push the BACK FILE GLIDE (12) onto the LARGE DRAWER BACK (II).
- ✚ Push the SHORT FILE GLIDES (14) onto the RETURN DRAWER SIDES (JJ and KK).
- ✚ Slide the FILE HANGERS (11) onto the FILE GLIDES on the RETURN DRAWER FRONT (X) and LARGE DRAWER BACK (II).
- ✚ NOTE: The FILE HANGERS can also be placed on the FILE GLIDES on the RETURN DRAWER SIDES (JJ and KK).



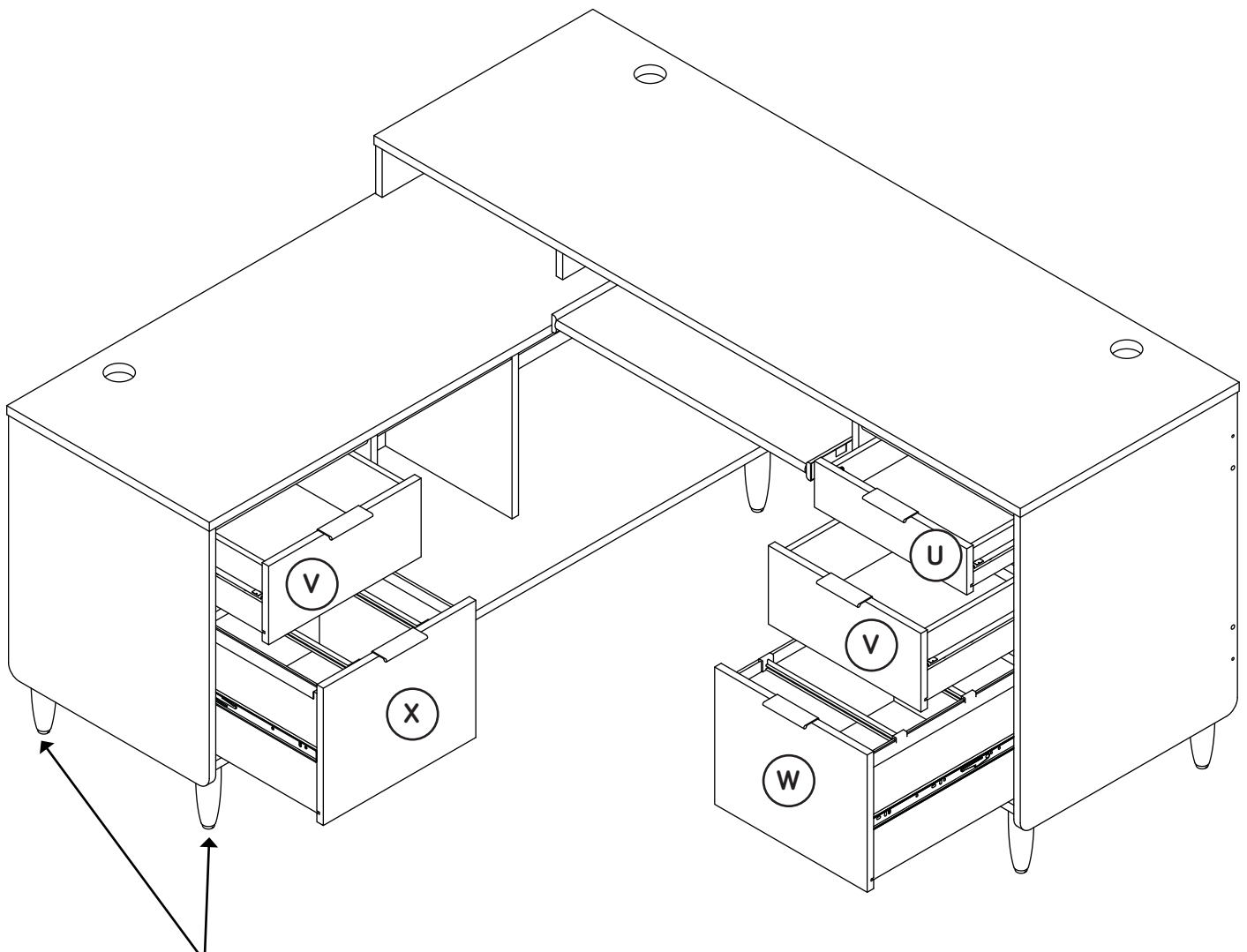
Step 51

- ✚ Insert four GROMMETS (25) into the large holes in the UPRIGHTS (C and D) and RETURN BACK (N).
- ✚ Insert four GROMMETS WITH CAPS (24) into the large holes in the TOPS (E and F).



Step 52

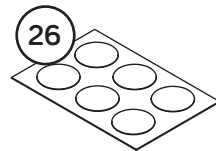
- ✚ Position your unit in its final location.
- ✚ **NOTE:** To raise a corner of the unit, turn the **ADJUSTABLE GLIDE** counter-clockwise. To lower a corner, turn the **ADJUSTABLE GLIDE** clockwise.
- ✚ To insert the **DRAWERS (U and V)** into your unit, tip the front of the drawers down and drop the rollers on the drawers behind the rollers on the unit.
- ✚ To insert the **LARGE DRAWERS (W and X)** into your unit, line up the **EXTENSION SLIDES** on the drawers with the **EXTENSION RAILS** on the unit and push the drawers into the unit until the drawers are fully inserted. The drawers will push in hard until they are all the way in, then they will slide in and out easier.



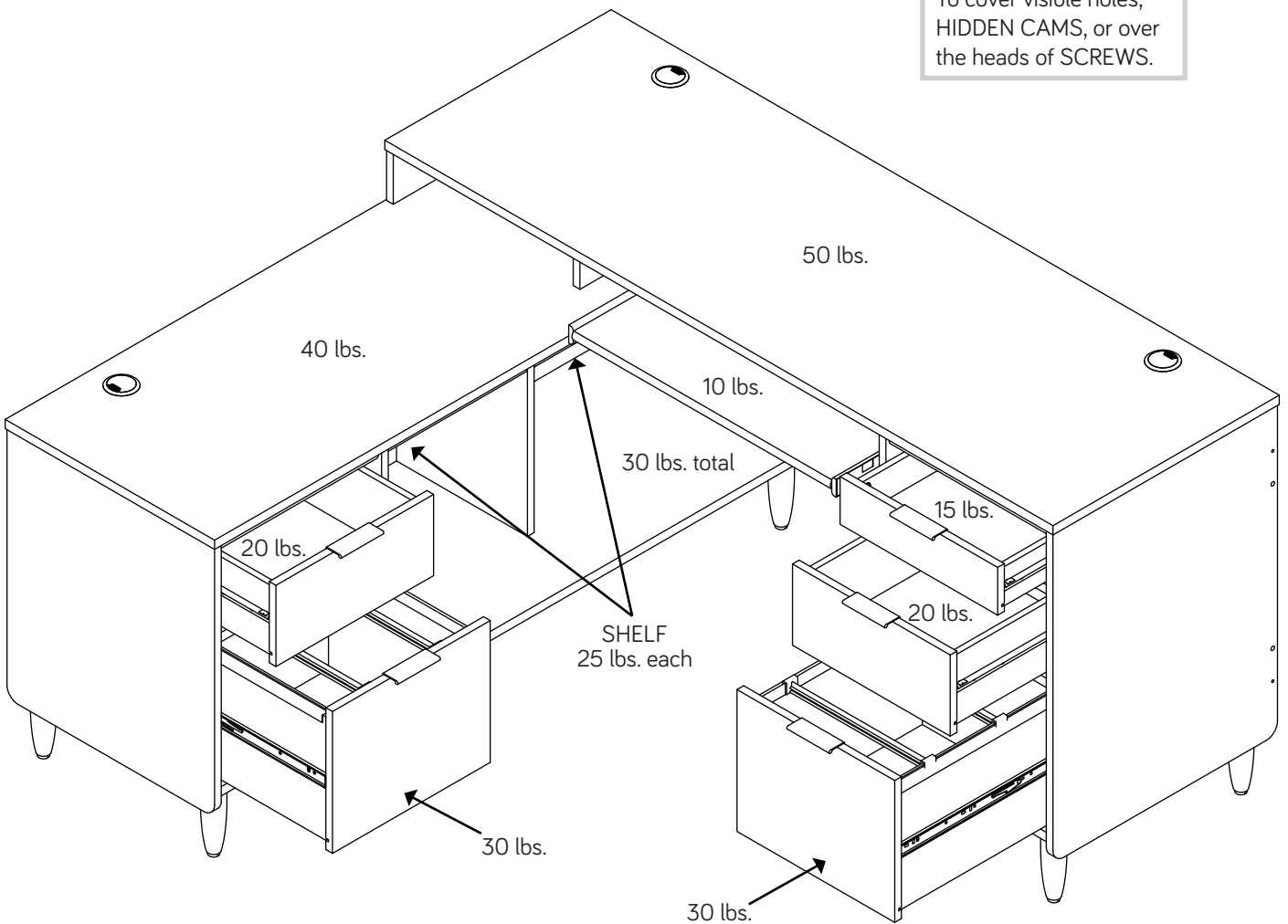
Make any needed adjustments to the **ADJUSTABLE GLIDES** to level your unit.

Step 53

- ✚ Peel the **STICKERS** from the **APPLIQUE CARD (26)** and stick them onto each visible hole, **HIDDEN CAM**, or over the head of each visible **SCREW**.
- ✚ **NOTE:** Please read the back pages of the instruction booklet for important safety information.
- ✚ This completes assembly. Clean with your favorite furniture polish or a damp cloth. Wipe dry.



To cover visible holes, HIDDEN CAMS, or over the heads of SCREWS.



WARNING

Please use your furniture correctly and safely. Improper use can cause safety hazards, or damage to your furniture or household items. ***Carefully read the following chart.***

| Look out for: | What can happen: | How to avoid the problem: |
|--|---|---|
| <ul style="list-style-type: none">• Overloaded shelves or drawers.• Improper loading can cause the product to be top-heavy. | <ul style="list-style-type: none">• Risk of injury.• Top-heavy furniture can tip over.• Overloaded shelves and drawers can break. | <ul style="list-style-type: none">• Never exceed the weight limits shown in the instructions.• Work from bottom to top when loading shelves and drawers. Place the heavier items on the lower shelves or in lower drawers. |
| <ul style="list-style-type: none">• Improperly moving furniture that is not designed and equipped with casters. | <ul style="list-style-type: none">• Furniture can tip over or break if improperly moved.• Physical injury. Furniture can be very heavy.• Breakage of tops - particularly with double pedestal furniture (drawers at both ends). | <ul style="list-style-type: none">• Unload shelves and drawers from top to bottom before moving the unit.• Do not push furniture, especially on a carpeted floor. Have a friend help you lift the item and set it in place.• Provide support to the center section of the top when lifting the furniture. |
| <ul style="list-style-type: none">• Placing TVs on furniture items that are not designed to support a television is hazardous. | <ul style="list-style-type: none">• Risk of injury or death. TVs can be very heavy. Plus the weight and location of the picture tube tends to make TVs unbalanced and prone to tipping forward. | <ul style="list-style-type: none">• This product is not designed to support a television. |