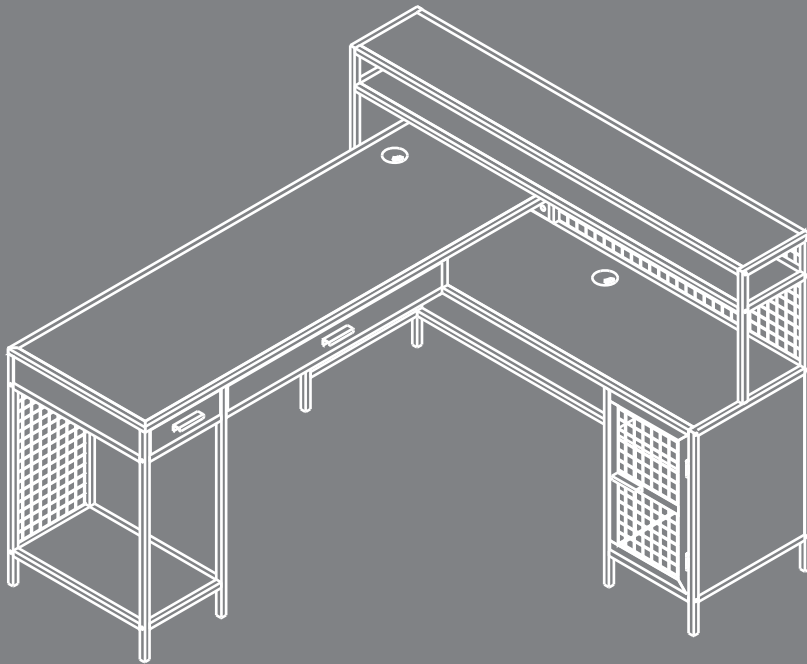


www.teknikoffice.co.uk

Teknik



The original **desktop**.

Boulevard Cafe L-Shaped Desk

Model 5420650

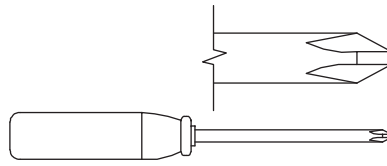
NOTE: THIS INSTRUCTION BOOKLET CONTAINS **IMPORTANT** SAFETY INFORMATION.

PLEASE READ AND KEEP FOR FUTURE REFERENCE.

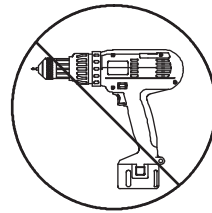
Table of Contents

Assembly Tools Required

Part Identification	3
Hardware Identification	4-5
Assembly Steps	6-38
Français	39-43
Español	44-48
Safety	49-50
Warranty	51



No. 2 Phillips Screwdriver
Tip Shown Actual Size



Skip the power trip.
This time.

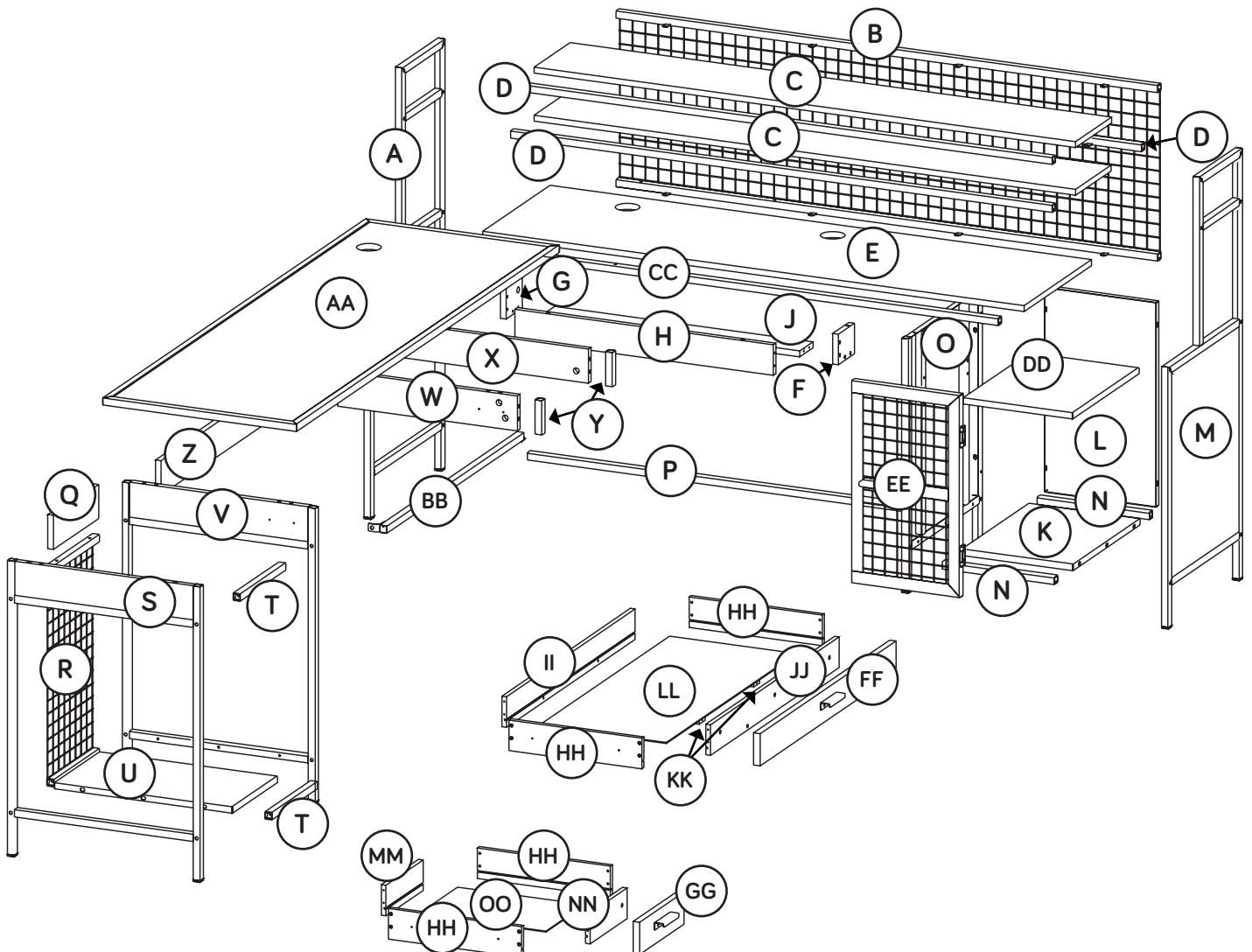
Part Identification

Now you know
our ABCs.



While not all parts are labeled, some of the parts will have a label or an inked letter on the edge to help distinguish similar parts from each other. Use this part identification to help identify similar parts.

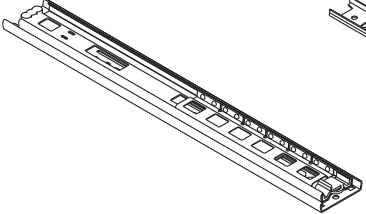
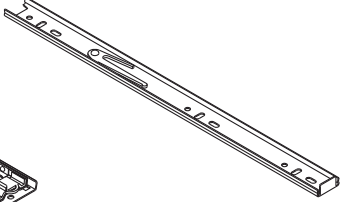

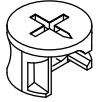
A	LARGE LEFT END (1)	P	REAR RIGHT TUBE (1)	DD	SHELF (1)
B	LARGE WIRE BACK (1)	Q	SHORT BACK (1)	EE	DOOR (1)
C	LONG SHELF (2)	R	SMALL WIRE BACK (1)	FF	LARGE DRAWER FRONT (1)
D	SHELF TUBE (3)	S	SMALL LEFT END (1)	GG	SMALL DRAWER FRONT (1)
E	SMALL TOP (1)	T	SHORT LEFT TUBE (2)	HH	DRAWER SIDE (4)
F	BOX RIGHT END (1)	U	LEFT BOTTOM (1)	II	LARGE DRAWER BACK (1)
G	BOX LEFT END (1)	V	SMALL RIGHT END (1)	JJ	LARGE DRAWER BOX FRONT (1)
H	BOX FRONT (1)	W	SMALL LEFT UPRIGHT (1)	KK	DRAWER BRACE (2)
J	BOX BOTTOM (1)	X	SMALL RIGHT UPRIGHT (1)	LL	LARGE DRAWER BOTTOM (1)
K	RIGHT BOTTOM (1)	Y	SHORT TUBE (2)	MM	SMALL DRAWER BACK (1)
L	BACK(1)	Z	LONG BACK (1)	NN	SMALL DRAWER BOX FRONT (1)
M	LARGE RIGHT END (1)	AA	LARGE TOP (1)	OO	SMALL DRAWER BOTTOM (1)
N	SHORT RIGHT TUBE (2)	BB	LONG LEFT TUBE (1)		
O	LARGE UPRIGHT (1)	CC	FRONT RIGHT TUBE (1)		

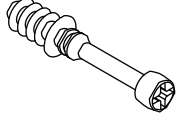
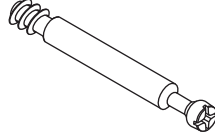
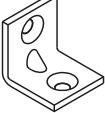


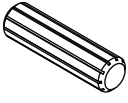
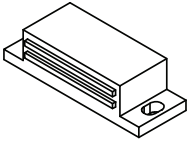
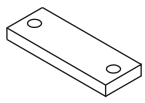
Hardware Identification

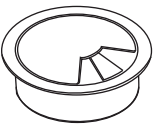
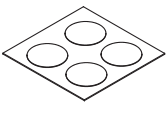
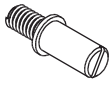
† Screws are shown actual size. You may receive extra hardware with your unit.

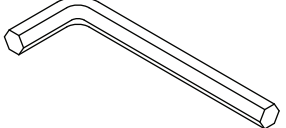
(EXTENSION SET SHOWN SEPARATED)

- 23** EXTENSION RAIL - 4 
- 24** EXTENSION SLIDE - 4 
- 25** LARGE HIDDEN CAM - 2 
- 26** SMALL HIDDEN CAM - 15 

- 27** CAM SCREW - 13 
- 28** LONG CAM SCREW - 4 
- 29** METAL BRACKET - 7 

- 30** WOOD DOWEL - 7 
- 31** MAGNETIC CATCH - 1 
- 32** MAGNETIC CATCH SPACER - 1 

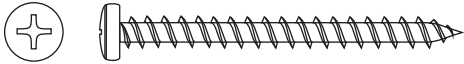
- 33** GROMMET - 3 
- 34** APPLIQUE CARD - 1 
- 35** METAL PIN - 4 

- 36** L-WRENCH - 1 

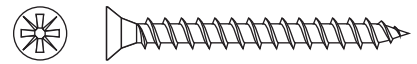
Hardware Identification

† Screws are shown actual size. You may receive extra hardware with your unit.

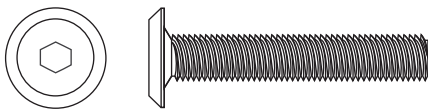
37 BLACK 1-3/4" PAN HEAD SCREW - 6



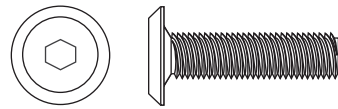
38 BLACK 1-9/16" FLAT HEAD SCREW - 30



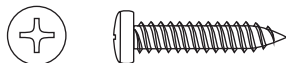
39 BLACK 1-3/8" HEX HEAD SCREW - 25



40 BLACK 7/8" HEX HEAD SCREW - 5



41 BLACK 13/16" PAN HEAD SCREW - 2



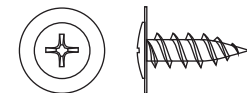
42 BLACK 5/8" PAN HEAD SCREW - 3



43 BLACK 5/8" FLAT HEAD SCREW - 14



44 BLACK 9/16" LARGE HEAD SCREW - 24



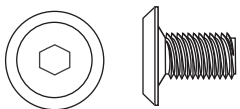
45 BLACK 1/2" PAN HEAD SCREW - 4



46 BLACK 1/2" FLAT HEAD SCREW - 24

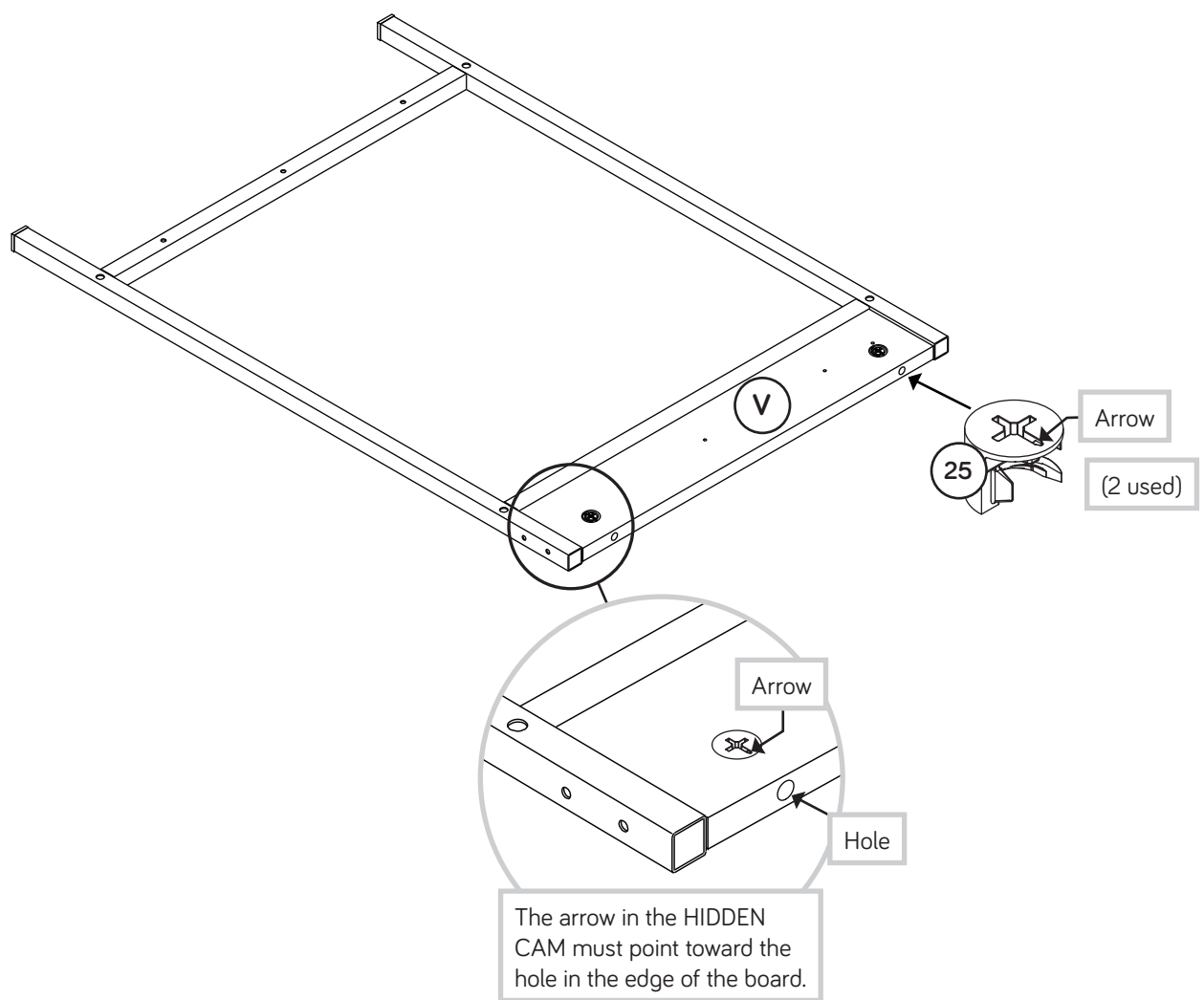


47 BLACK 3/8" HEX HEAD SCREW - 19



Step 1

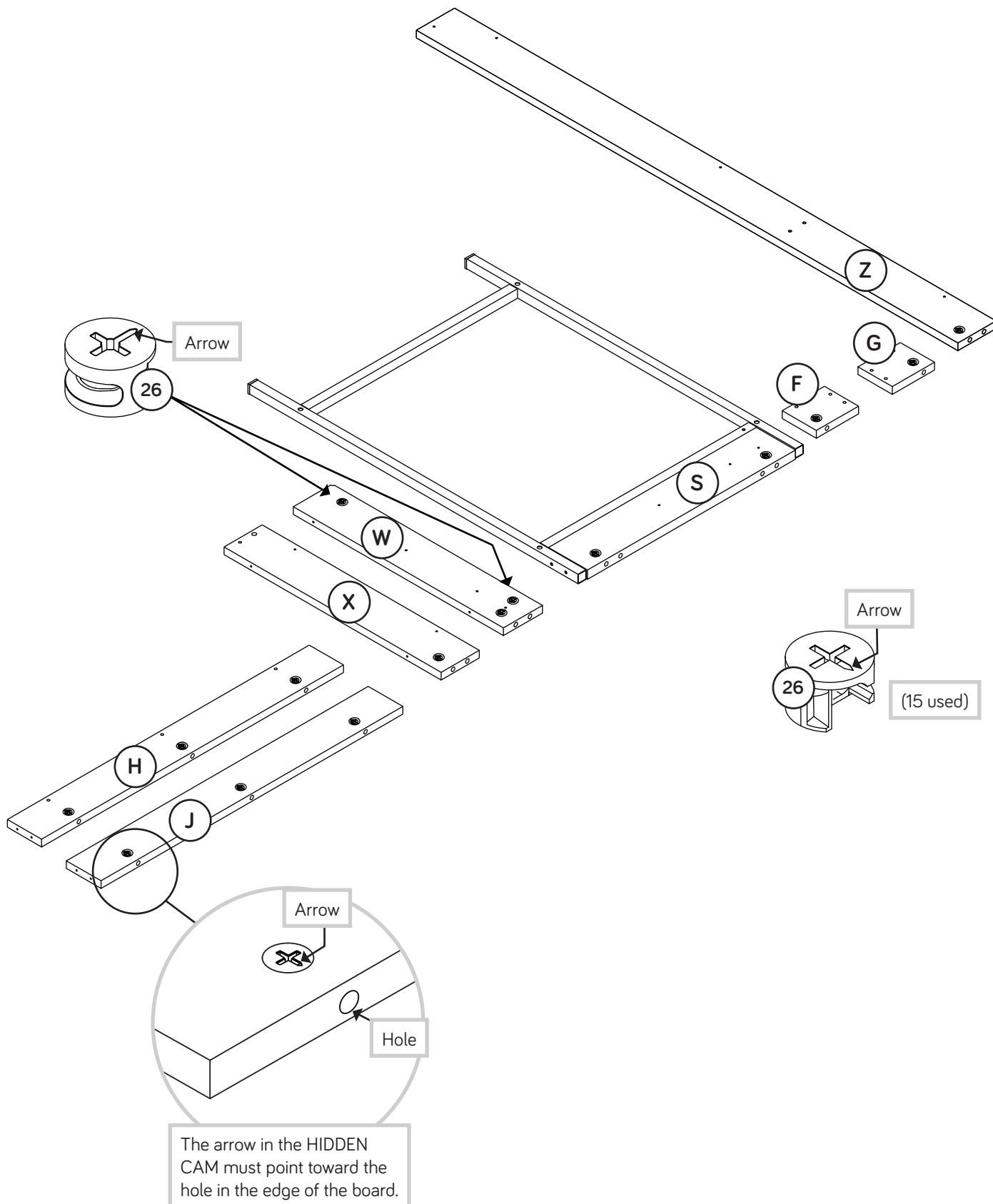
- ✚ Assemble your unit on a carpeted floor or on the empty carton to avoid scratching your unit or the floor.
- ✚ Push two LARGE HIDDEN CAMS (25) into the SMALL RIGHT END (V).



Step 2



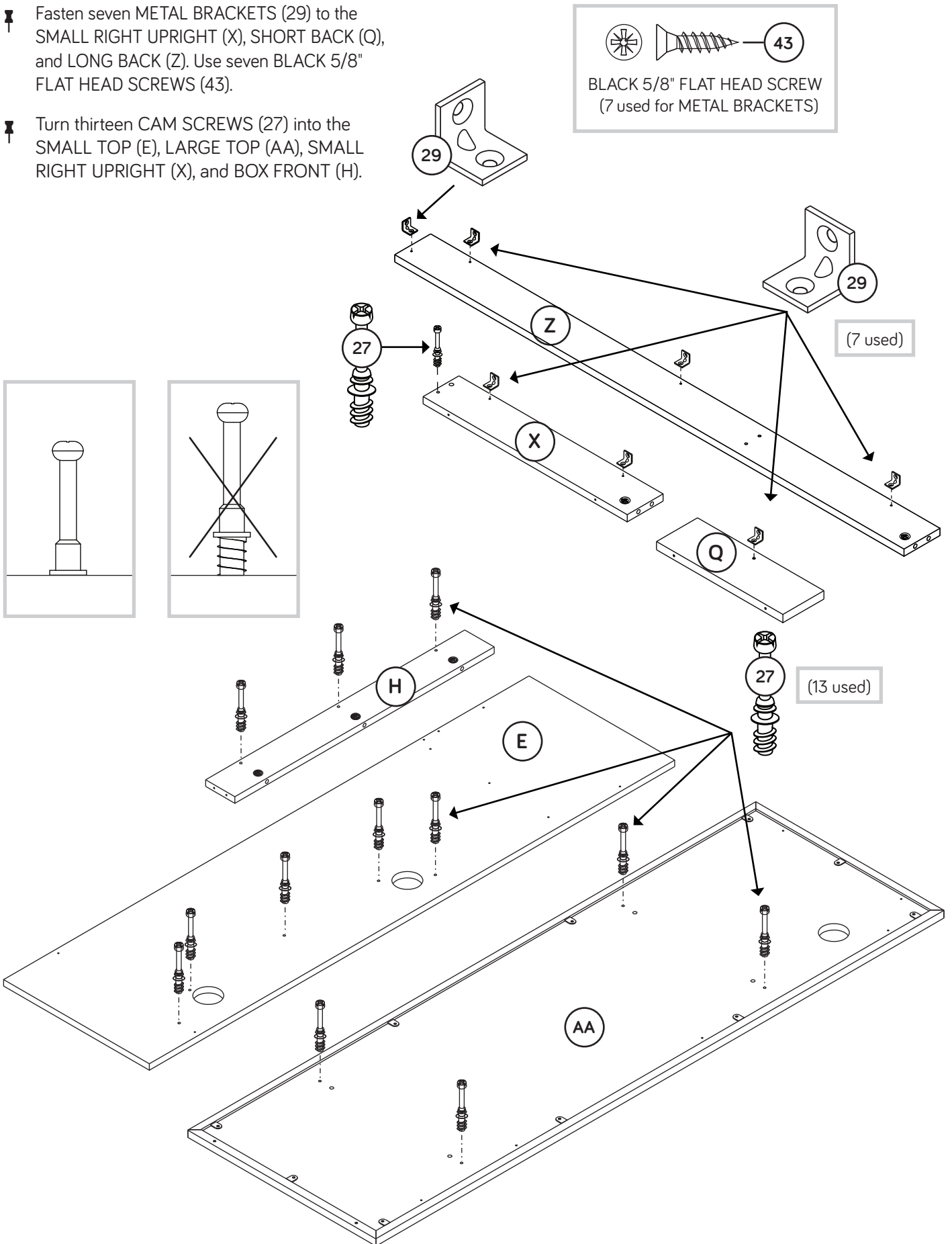
- Push fifteen SMALL HIDDEN CAMS (26) into the SMALL LEFT END (S), BOX ENDS (F and G), BOX FRONT (H), BOX BOTTOM (J), UPRIGHTS (X and W) and LONG BACK (Z).



Step 3

Fasten seven METAL BRACKETS (29) to the SMALL RIGHT UPRIGHT (X), SHORT BACK (Q), and LONG BACK (Z). Use seven BLACK 5/8" FLAT HEAD SCREWS (43).

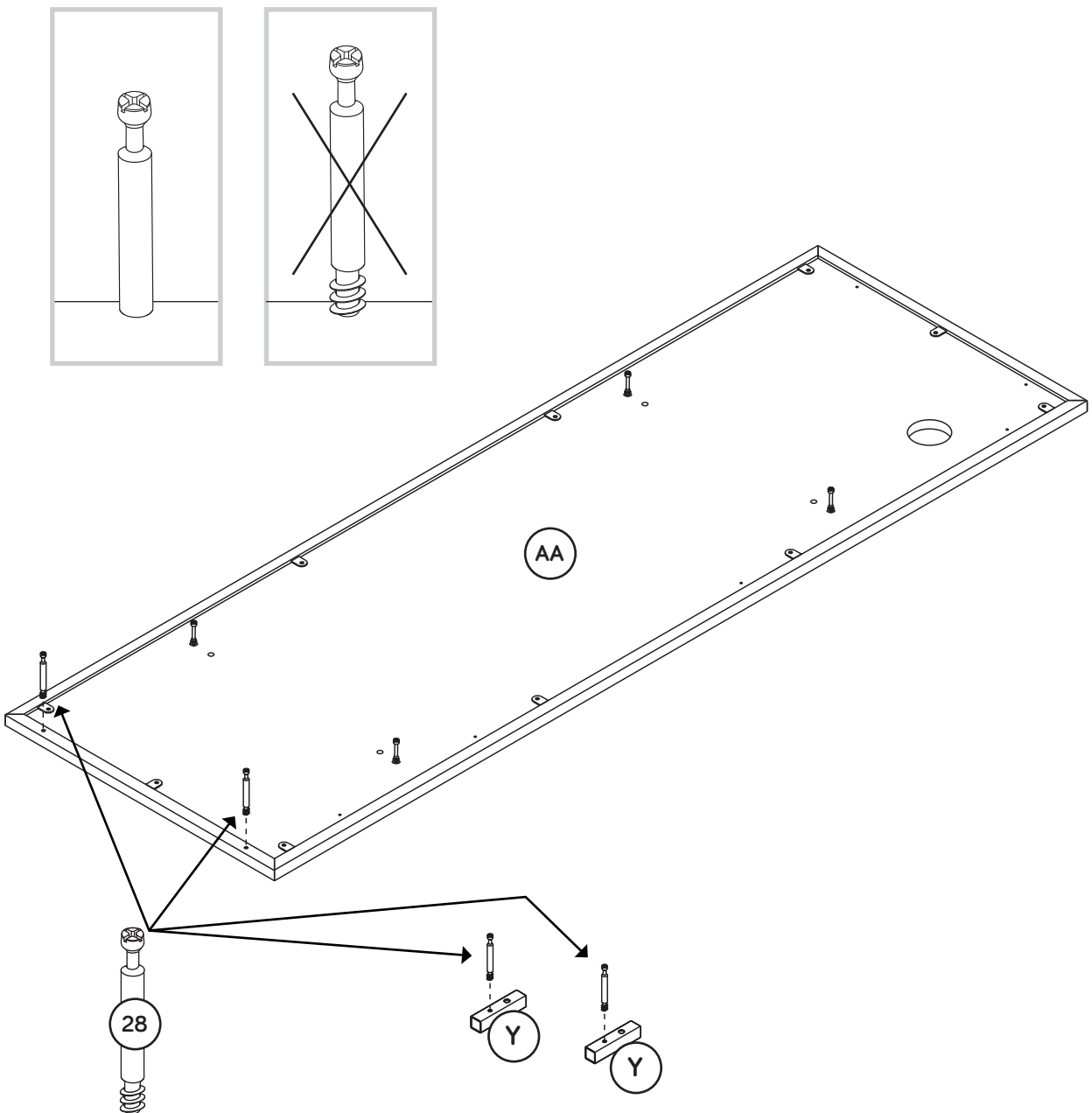
Turn thirteen CAM SCREWS (27) into the SMALL TOP (E), LARGE TOP (AA), SMALL RIGHT UPRIGHT (X), and BOX FRONT (H).



Step 4

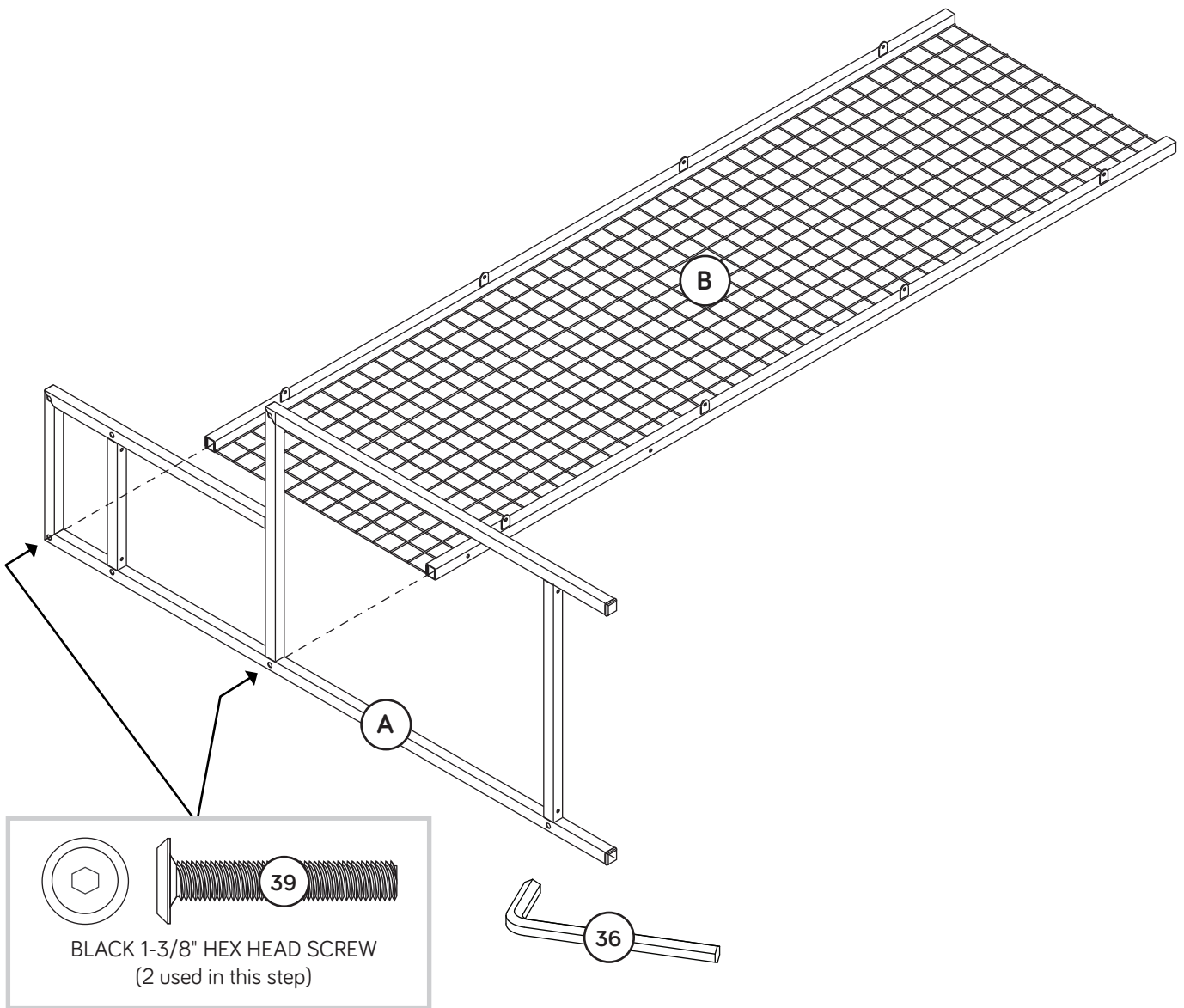
- Turn four LONG CAM SCREWS (28) into the LARGE TOP (AA) and SHORT TUBES (Y).

 Remember:
Righty tighty.
Lefty loosey.



Step 5

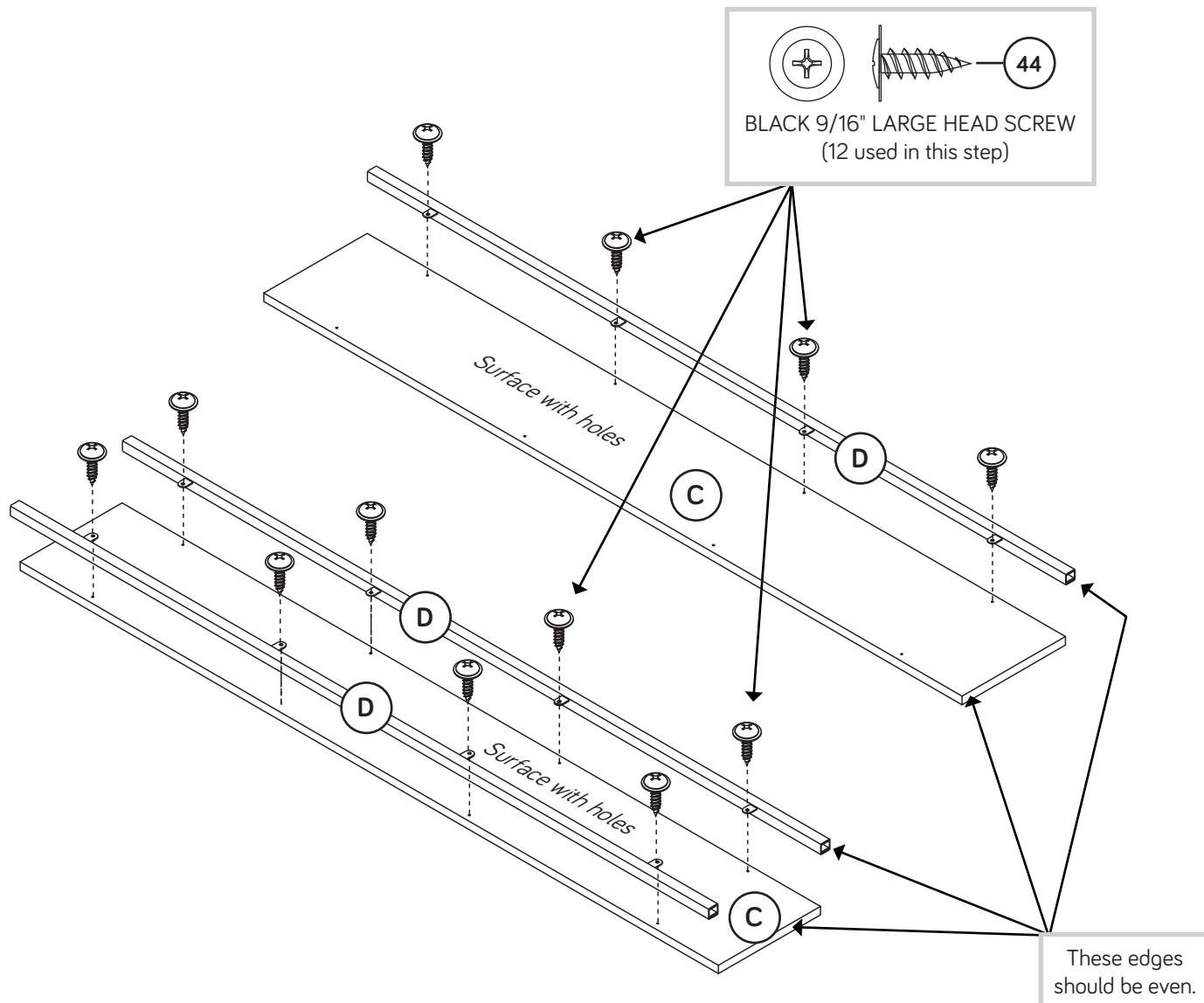
- Fasten the LARGE LEFT END (A) to the LARGE WIRE BACK (B). Tighten two BLACK 1-3/8" HEX HEAD SCREWS (39) using the L-WRENCH (36).



Step 6

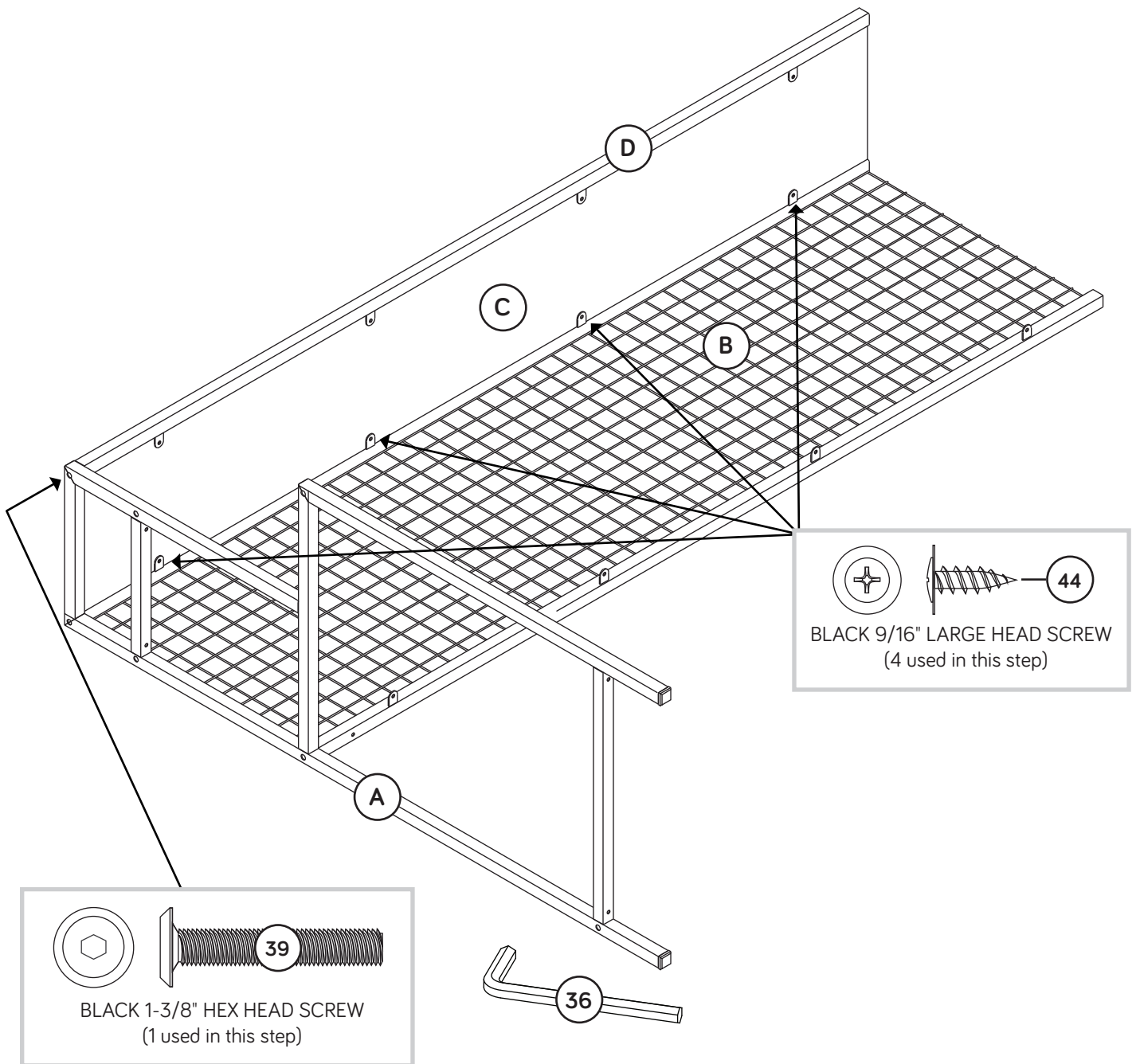
Fasten the SHELF TUBES (D) to the LONG SHELVES (C).
Use twelve BLACK 9/16" LARGE HEAD SCREWS (44).

NOTE: Be sure SHELF TUBES wrap around the edges of the LONG SHELVES.



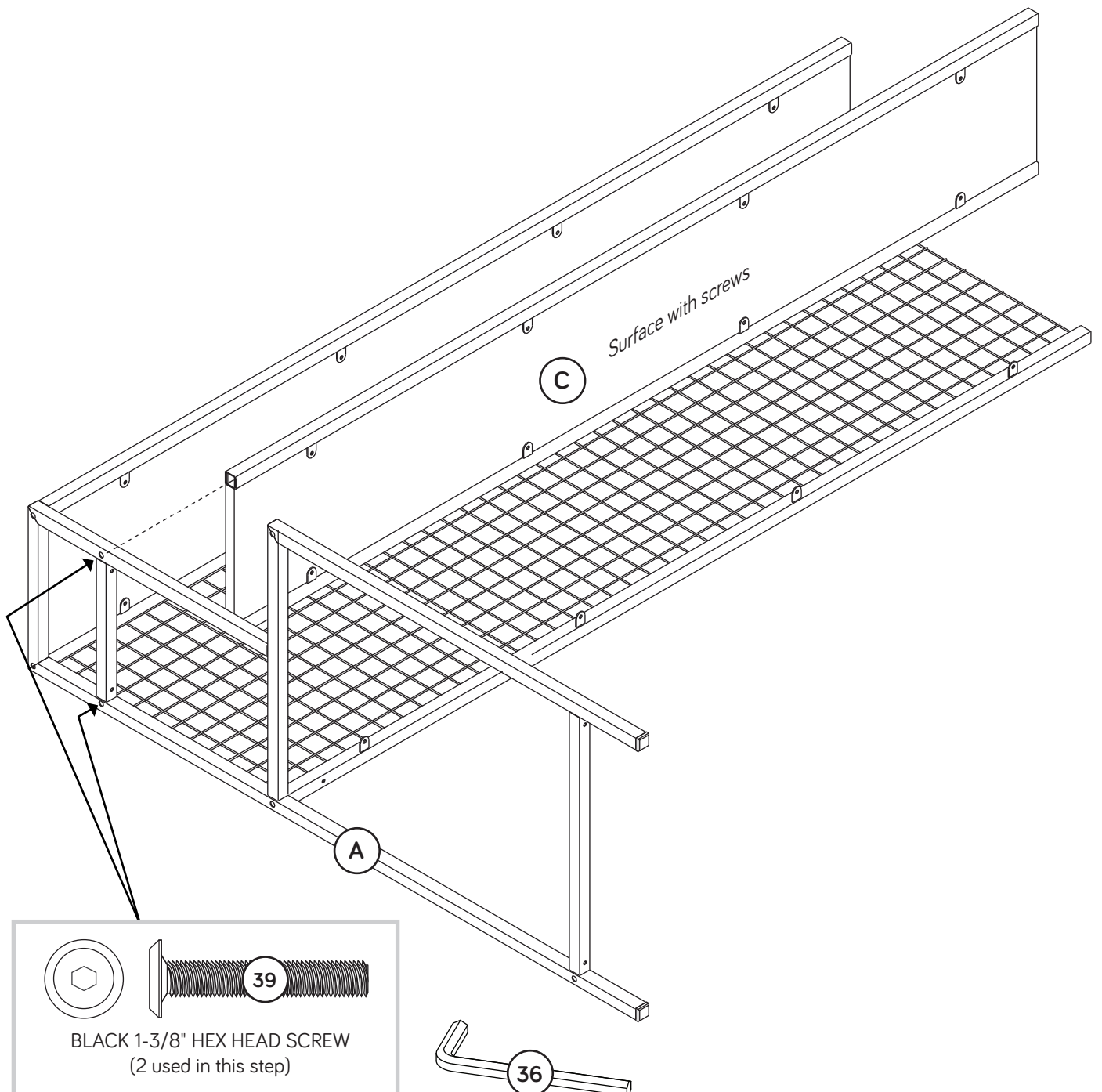
Step 7

- Fasten the LONG SHELF (C) with one SHELF TUBE (D) to the LARGE LEFT END (A). Tighten one BLACK 1-3/8" HEX HEAD SCREW (39) using the L-WRENCH (36).
- Fasten the LONG SHELF (C) to the LARGE WIRE BACK (B). Use four BLACK 9/16" LARGE HEAD SCREWS (44).



Step 8

- Fasten the LONG SHELF (C) with two SHELF TUBES to the LARGE LEFT END (A). Tighten two BLACK 1-3/8" HEX HEAD SCREWS (39) using the L-WRENCH (36).

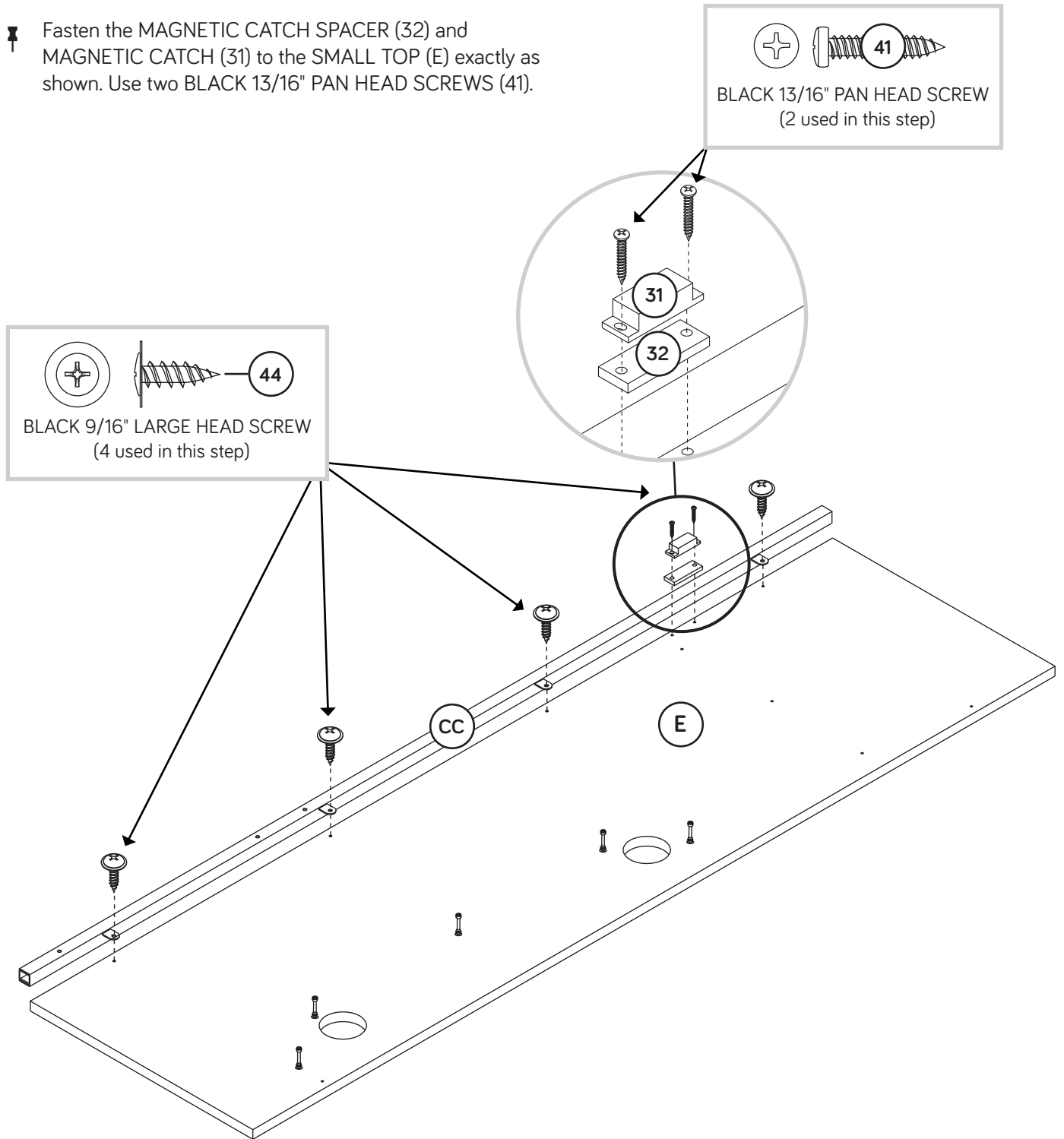


Step 9

Fasten the FRONT RIGHT TUBE (CC) to the SMALL TOP (E).
Use four BLACK 9/16" LARGE HEAD SCREWS (44).

NOTE: Be sure the FRONT RIGHT TUBE wraps around the edge of the SMALL TOP.

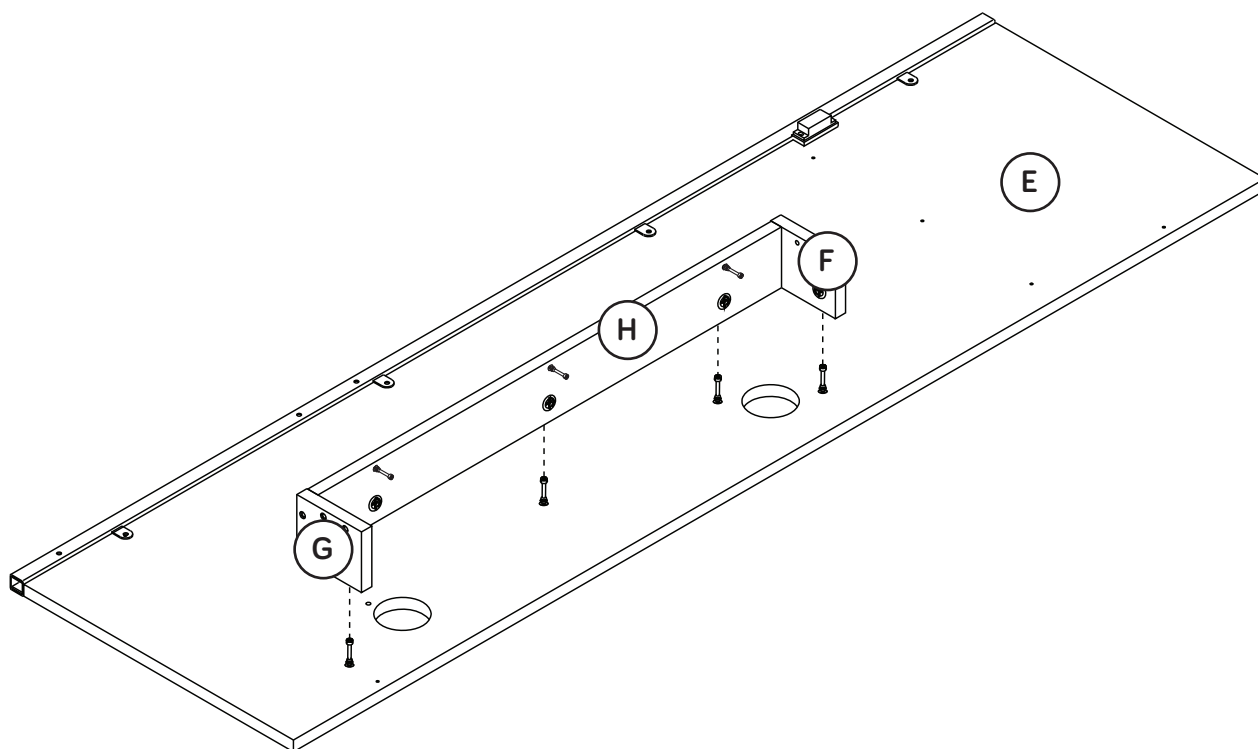
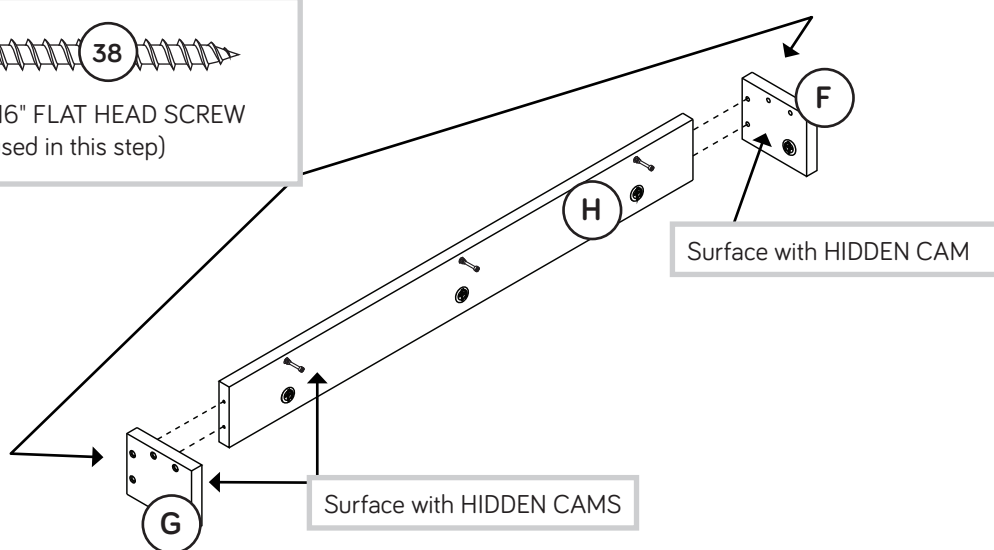
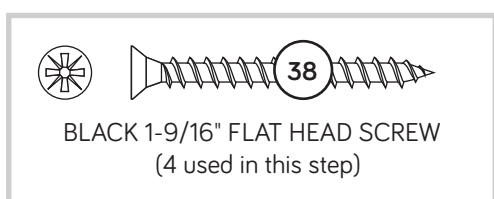
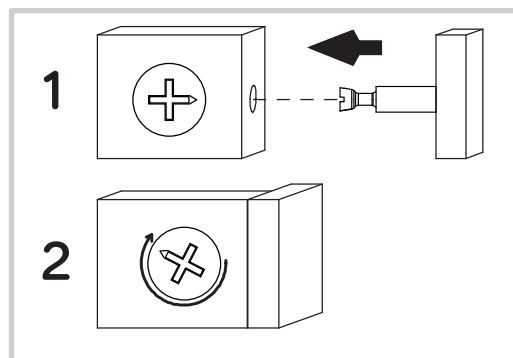
Fasten the MAGNETIC CATCH SPACER (32) and MAGNETIC CATCH (31) to the SMALL TOP (E) exactly as shown. Use two BLACK 13/16" PAN HEAD SCREWS (41).



Step 10

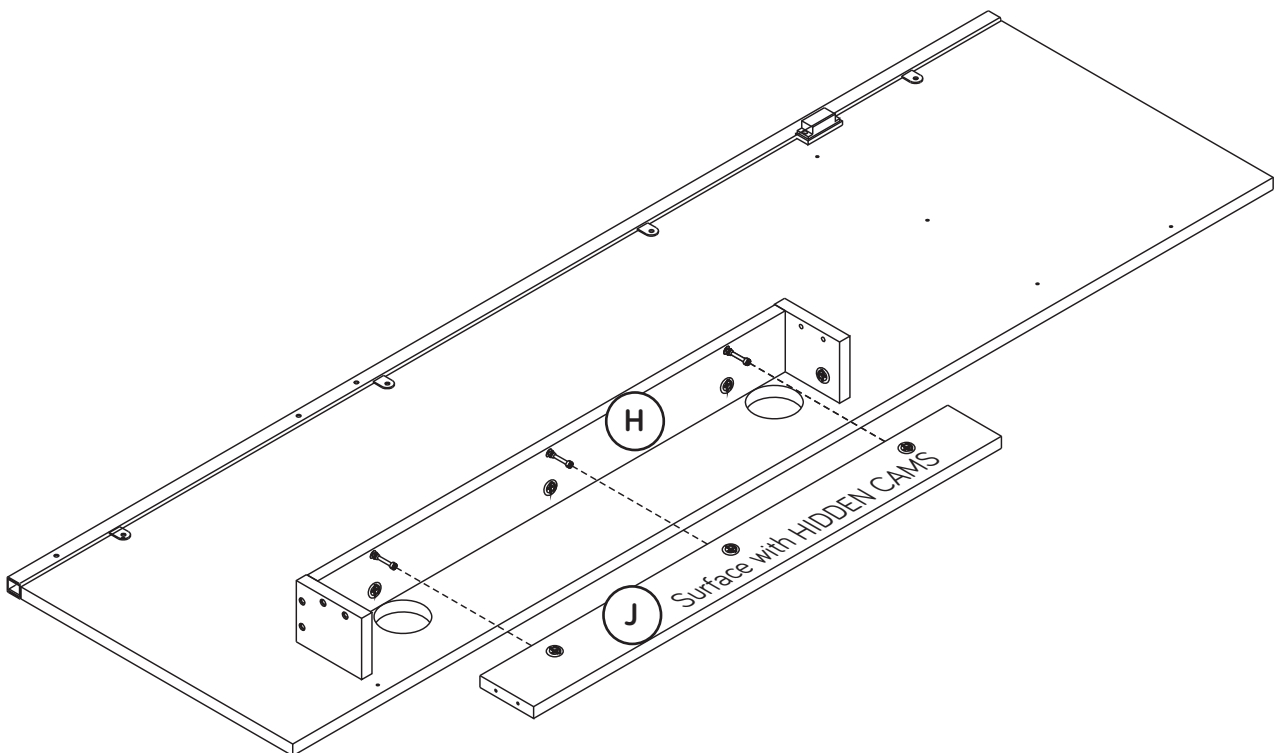
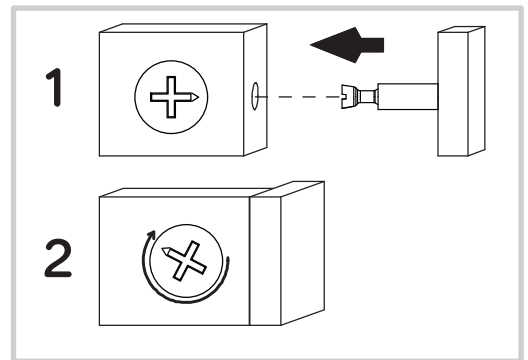
Fasten the BOX ENDS (F and G) to the BOX FRONT (H).
Use four BLACK 1-9/16" FLAT HEAD SCREWS (38).

Fasten the BOX FRONT (H) and BOX ENDS (F and G) to the SMALL TOP (E). Tighten five HIDDEN CAMS.



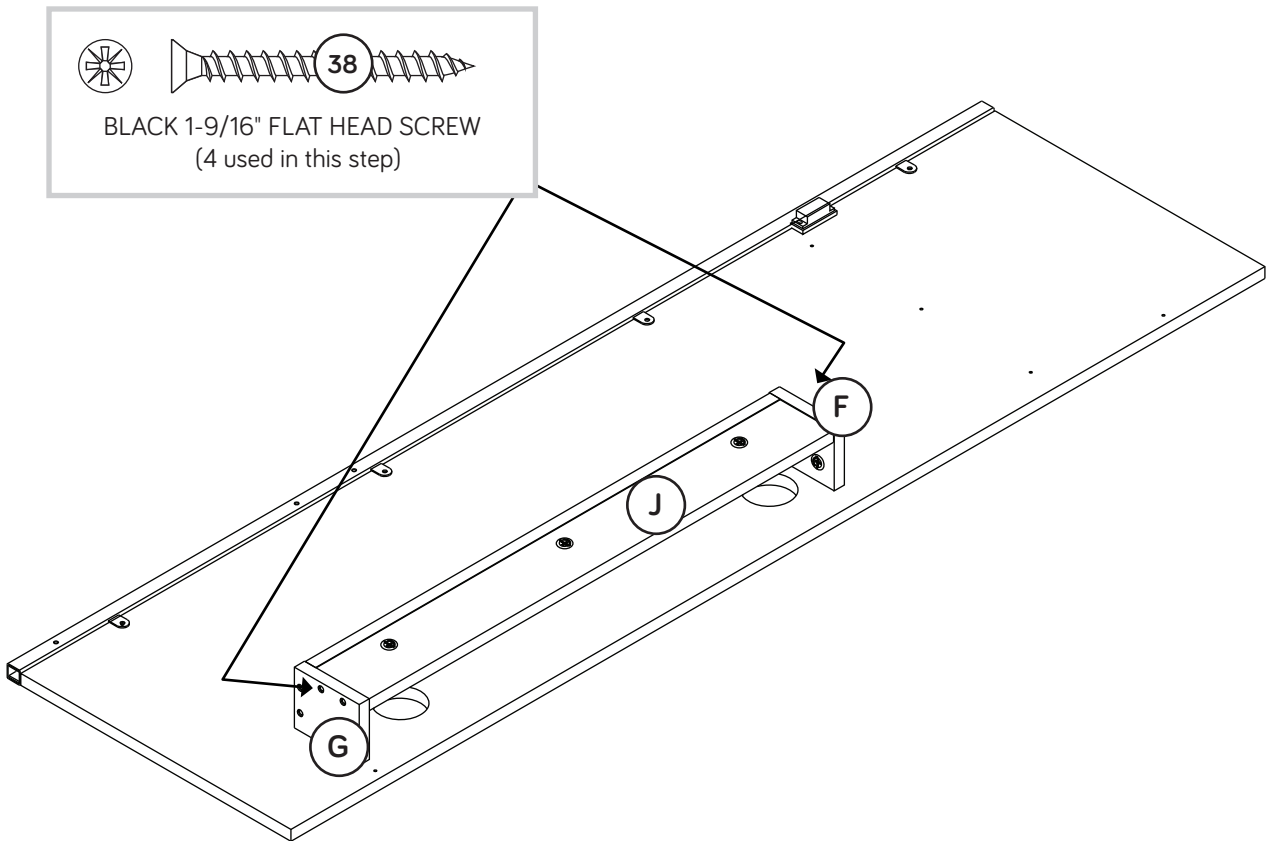
Step 11

- Fasten the BOX BOTTOM (J) to the BOX FRONT (H).
Tighten three HIDDEN CAMS.



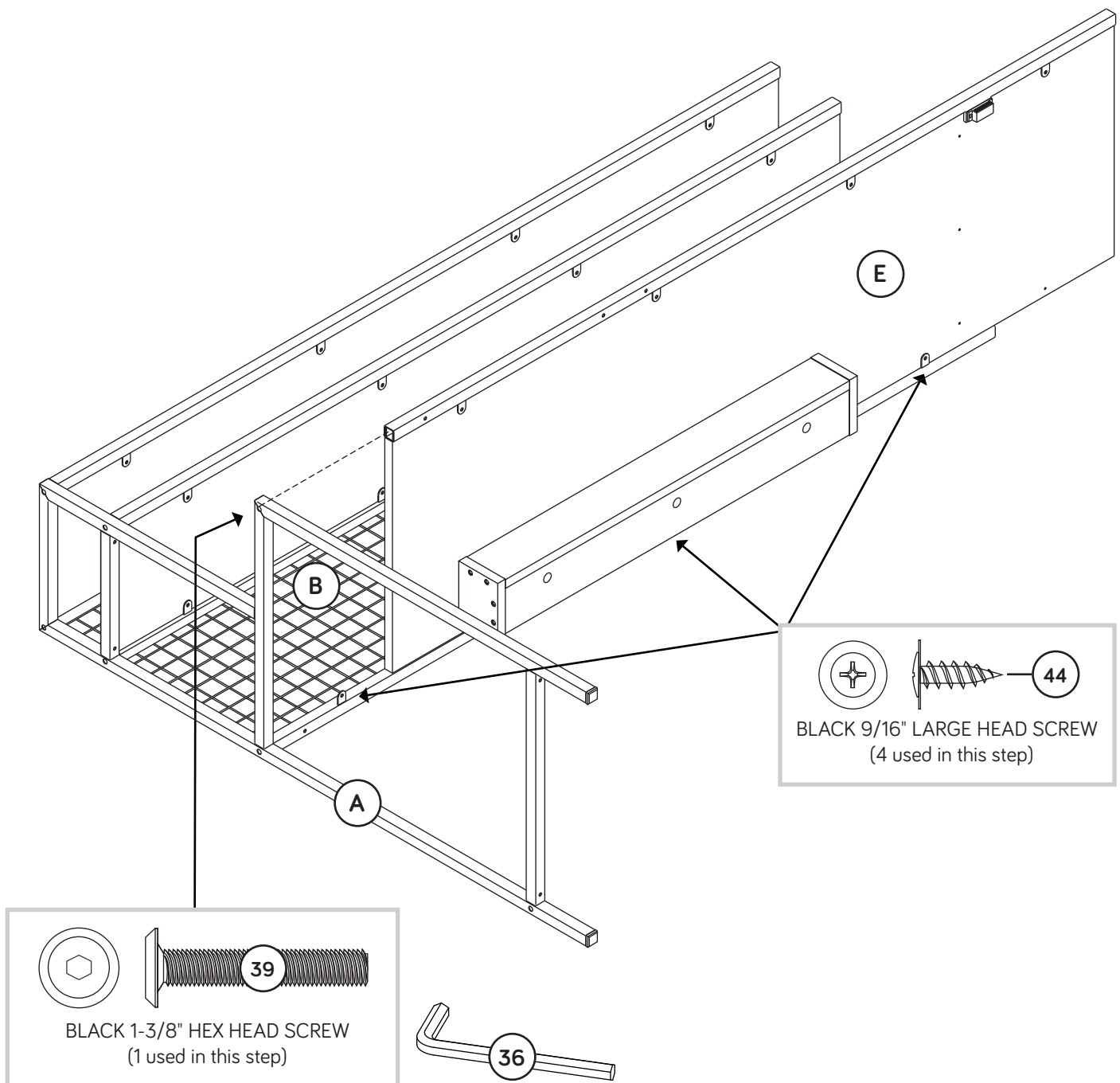
Step 12

- Fasten the BOX BOTTOM (J) to the BOX ENDS (F and G).
Use four BLACK 1-9/16" FLAT HEAD SCREWS (38).



Step 13

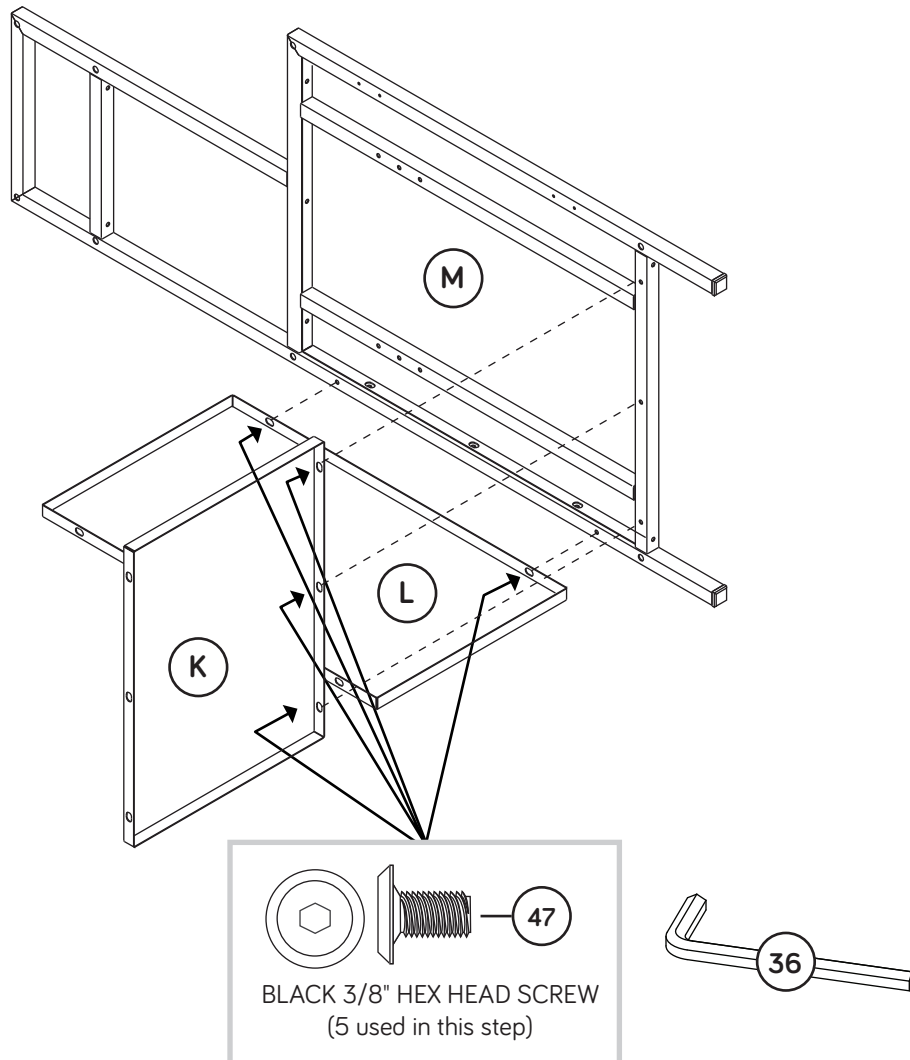
- Fasten the SMALL TOP (E) to the LARGE LEFT END (A).
Tighten one BLACK 1-3/8" HEX HEAD SCREW (39) using the L-WRENCH (36).
- Fasten the SMALL TOP (E) to the LARGE WIRE BACK (B).
Use four BLACK 9/16" LARGE HEAD SCREWS (44).



Step 14

🔩 **NOTE:** Do not completely tighten the SCREWS in this step.

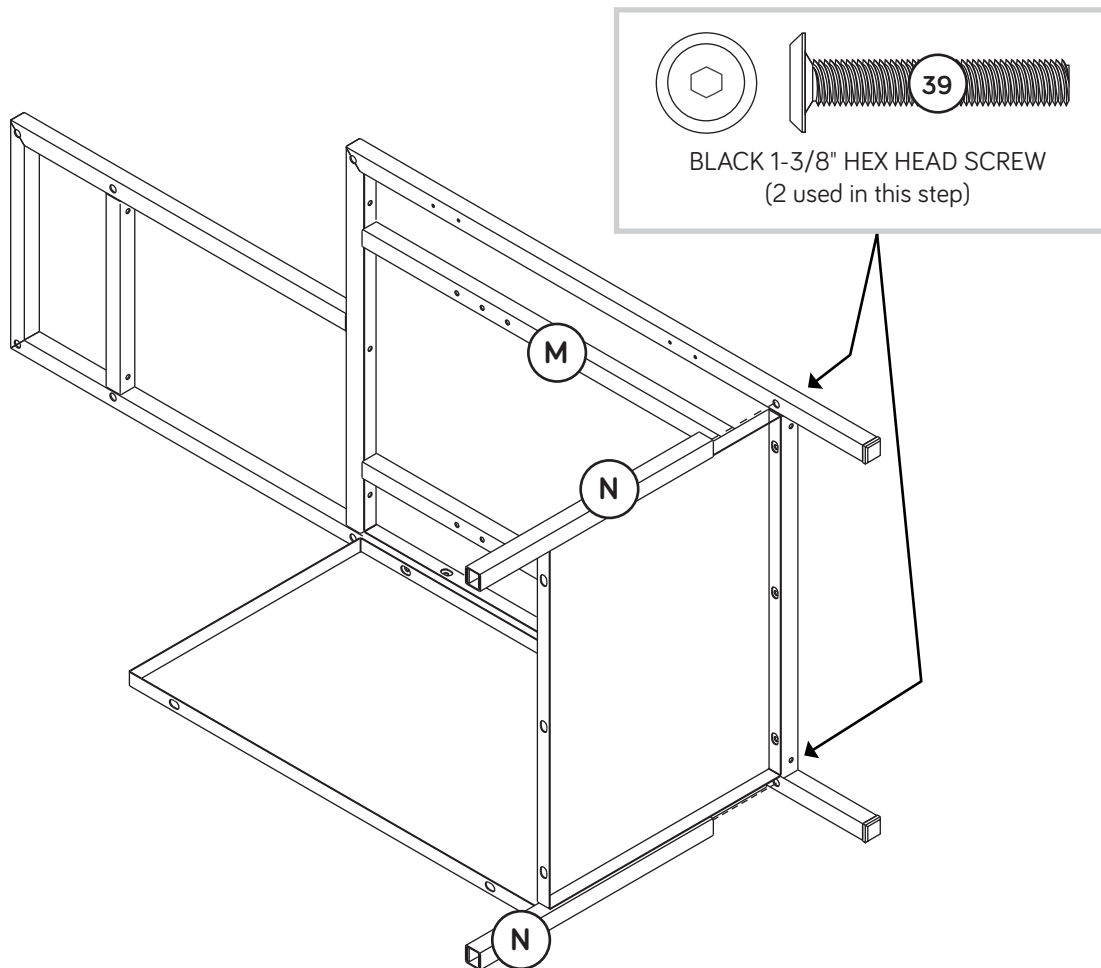
🔩 Fasten the BACK (L) and RIGHT BOTTOM (K) to the LARGE RIGHT END (M). Use five BLACK 3/8" HEX HEAD SCREWS (47) and the L-WRENCH (36).



Step 15

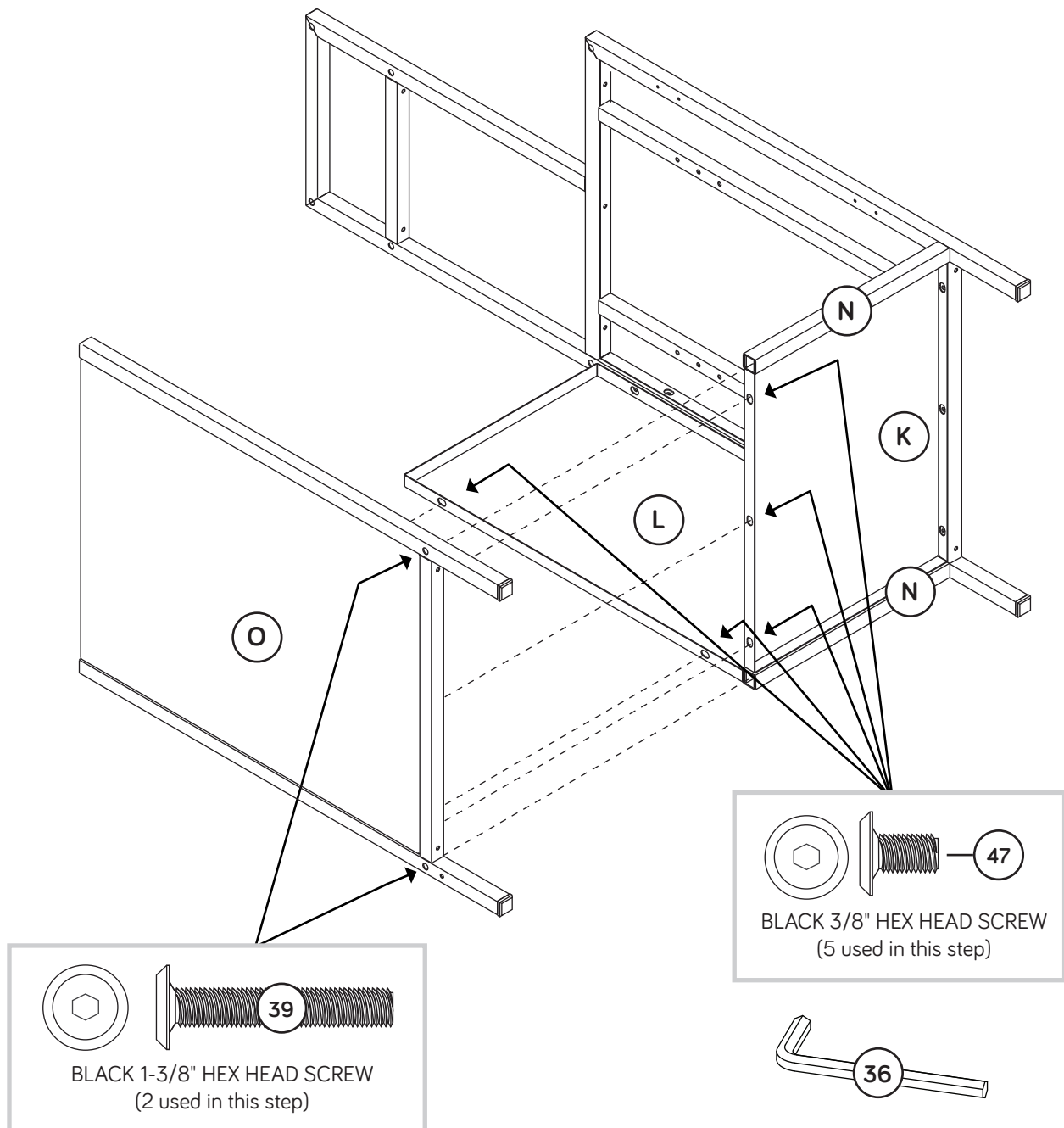
⚠ NOTE: Do not completely tighten the SCREWS in this step.

⚠ Fasten the SHORT RIGHT TUBES (N) to the LARGE RIGHT END (M). Use two BLACK 1-3/8" HEX HEAD SCREWS (39) and the L-WRENCH (36).



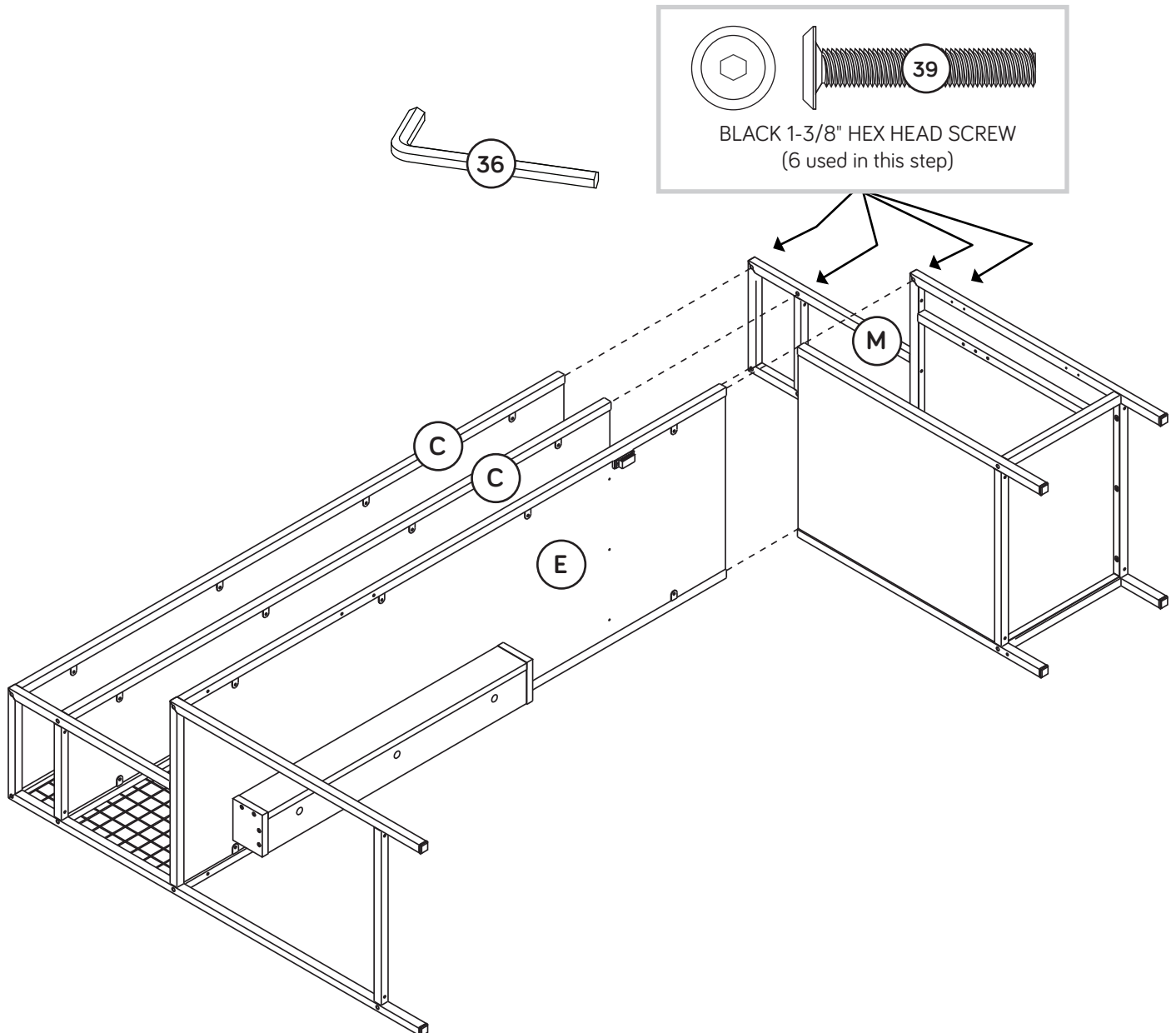
Step 16

- Fasten the LARGE UPRIGHT (O) to the BACK (L). Tighten three BLACK 3/8" HEX HEAD SCREWS (47) with the L-WRENCH (36).
 - Fasten the LARGE UPRIGHT (O) to the RIGHT BOTTOM (K). Use two BLACK 3/8" HEX HEAD SCREWS (47) and the L-WRENCH (36).
 - Fasten the LARGE UPRIGHT (O) to the SHORT RIGHT TUBES (N). Use two BLACK 1-3/8" HEX HEAD SCREWS (39) and the L-WRENCH (36).
- NOTE: Now, completely tighten all of the SCREWS from Steps 14-16.



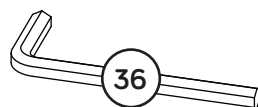
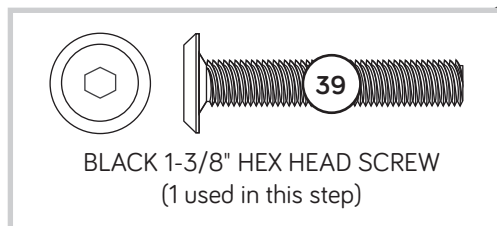
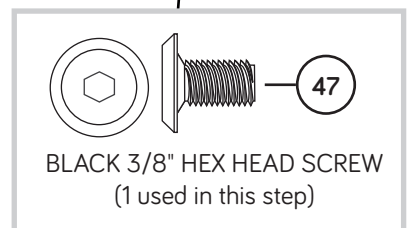
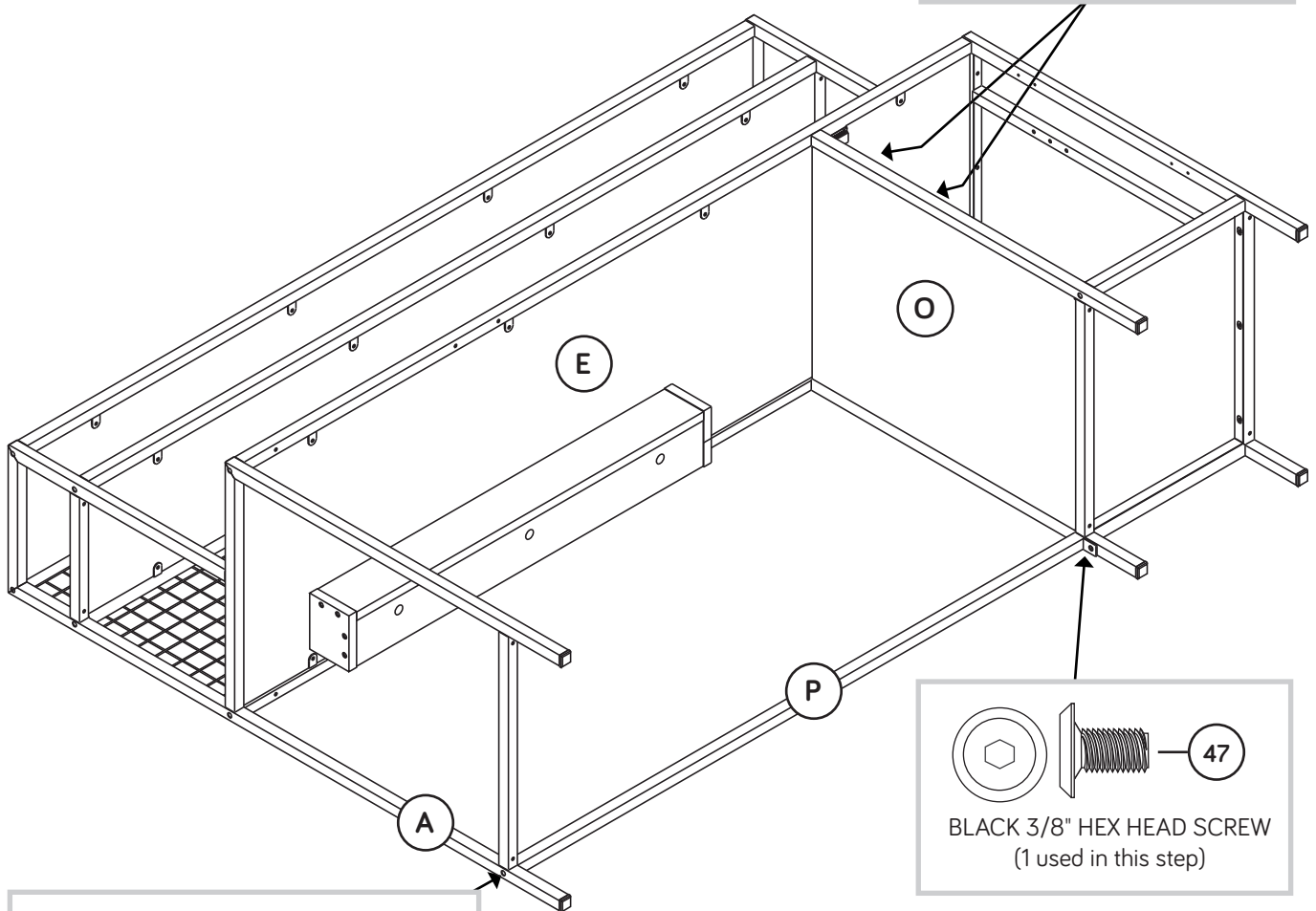
Step 17

- ⚠ **NOTE:** Start all of the SCREWS before completely tightening any of them.
- ⚠ Fasten the LARGE RIGHT END (M) to the SMALL TOP (E) and LONG SHELVES (C). Tighten six BLACK 1-3/8" HEX HEAD SCREWS (39) using the L-WRENCH (36).



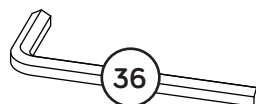
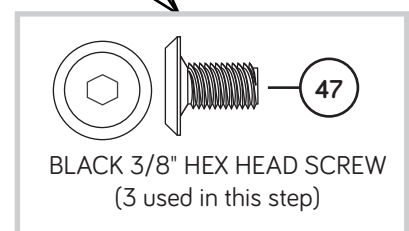
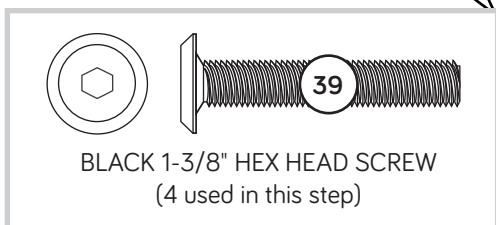
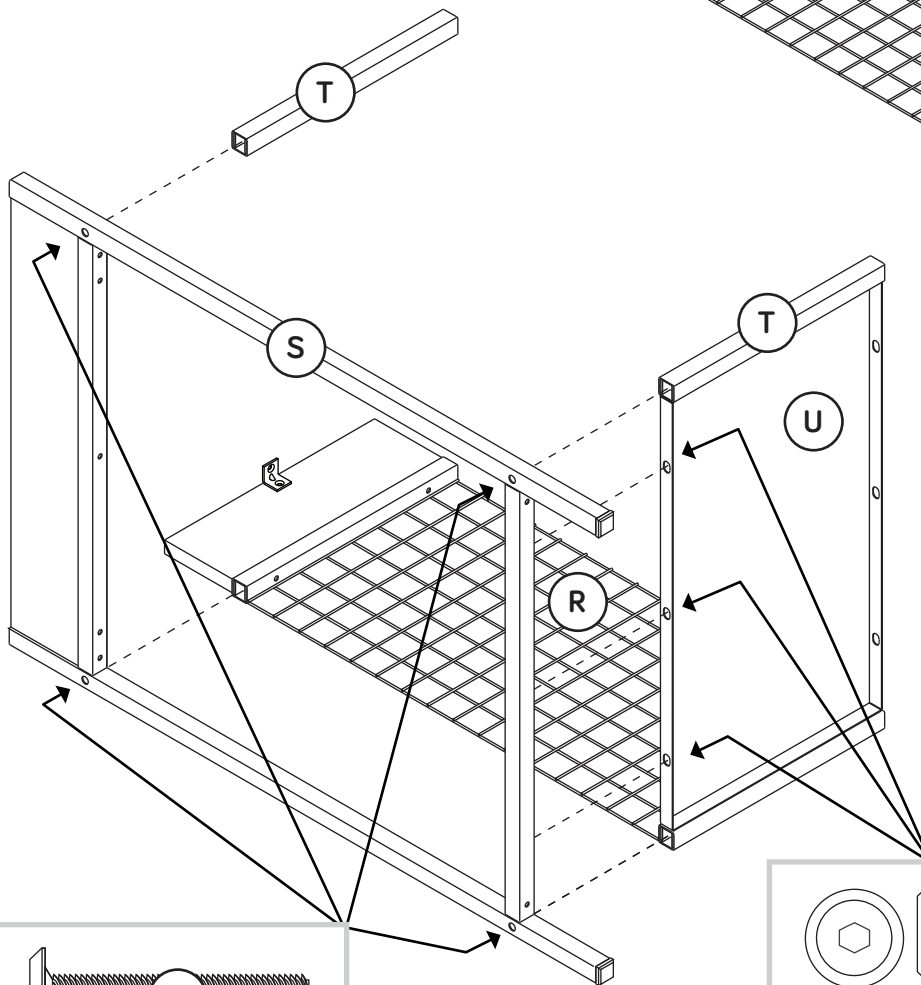
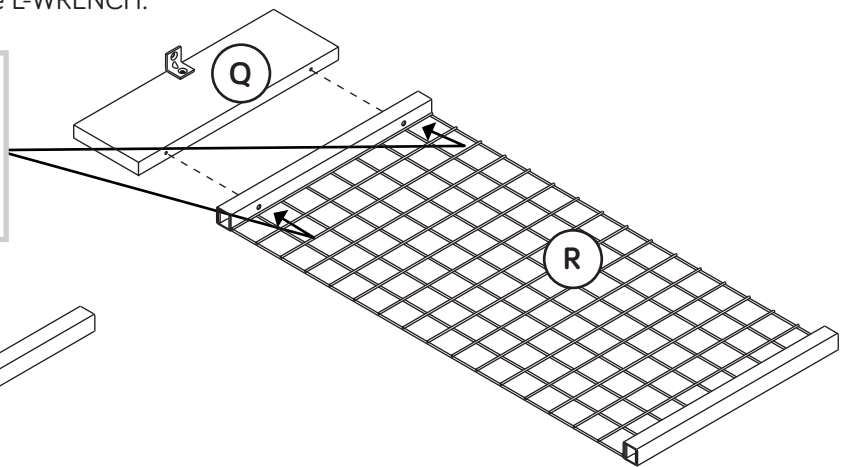
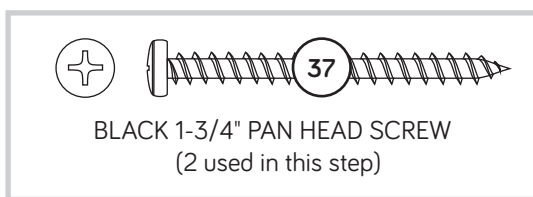
Step 18

- Fasten the LARGE UPRIGHT (O) to the SMALL TOP (E). Use three BLACK 5/8" PAN HEAD SCREWS (42).
- Fasten the REAR RIGHT TUBE (P) to the LARGE UPRIGHT (O). Tighten one BLACK 3/8" HEX HEAD SCREW (47) using the L-WRENCH (36).
- Fasten the REAR RIGHT TUBE (P) to the LARGE LEFT END (A). Tighten one BLACK 1-3/8" HEX HEAD SCREW (39) using the L-WRENCH (36).



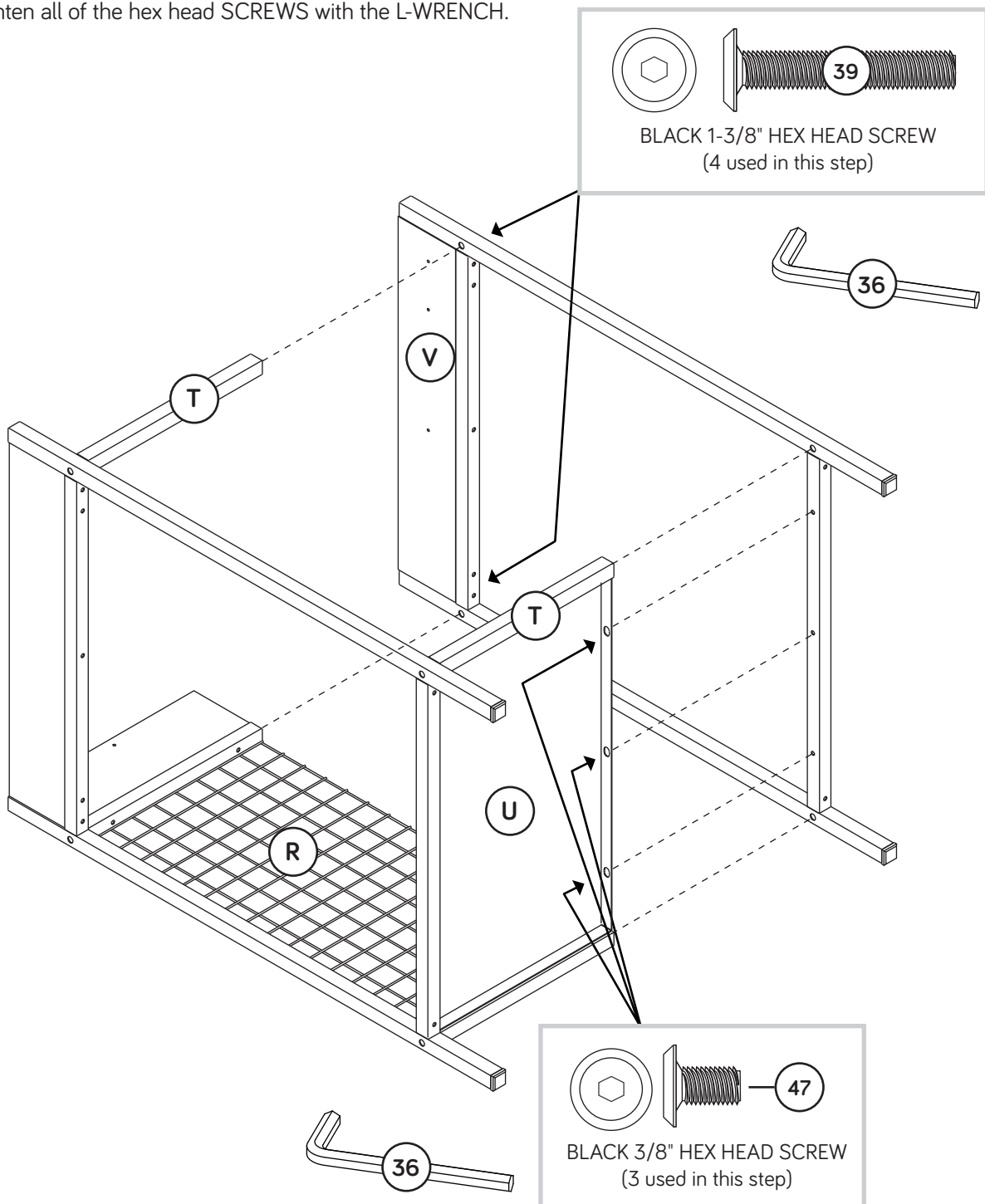
Step 19

- ✚ Fasten the SHORT BACK (Q) to the SMALL WIRE BACK (R). Use two BLACK 1-3/4" PAN HEAD SCREWS (37).
- ✚ NOTE: Start all of the hex head SCREWS before completely tightening any of them.
- ✚ Fasten the SMALL WIRE BACK (R) to the SMALL LEFT END (S). Use two BLACK 1-3/8" HEX HEAD SCREWS (39) and the L-WRENCH (36).
- ✚ Fasten the LEFT BOTTOM (U) to the SMALL LEFT END (S). Use three BLACK 3/8" HEX HEAD SCREWS (47) and the L-WRENCH (36).
- ✚ Fasten the SHORT LEFT TUBES (T) to the SMALL LEFT END (S). Use two BLACK 1-3/8" HEX HEAD SCREWS (47) and the L-WRENCH (36).
- ✚ Tighten all of the hex head SCREWS with the L-WRENCH.



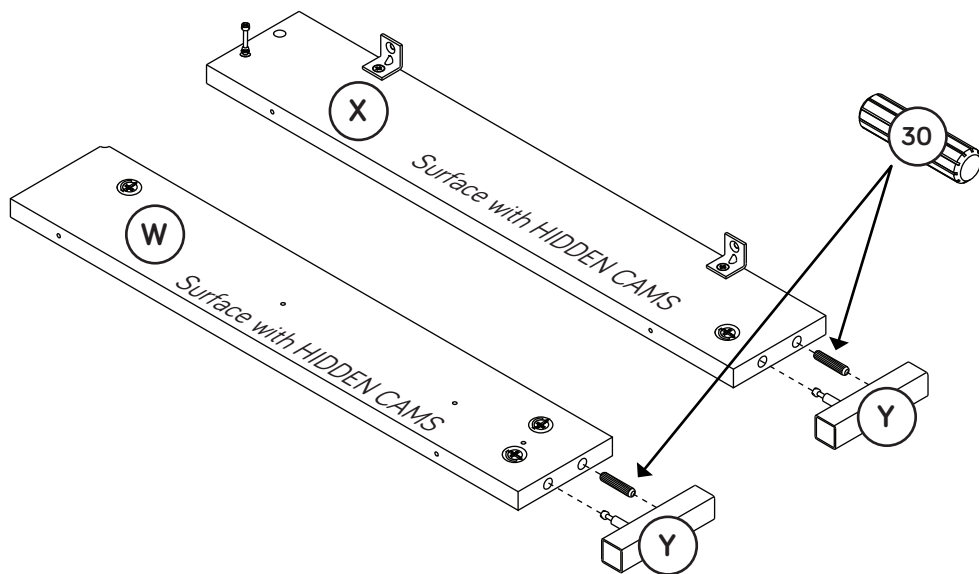
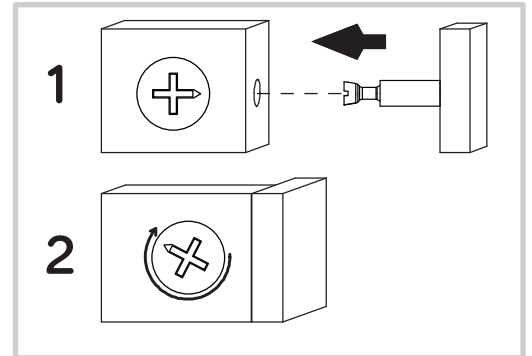
Step 20

- 🔩 **NOTE:** Start all of the hex head SCREWS before completely tightening any of them.
- 🔩 Fasten the SMALL RIGHT END (V) to the SMALL WIRE BACK (R) and SHORT LEFT TUBES (T). Tighten four BLACK 1-3/8" HEX HEAD SCREWS (39) using the L-WRENCH (36).
- 🔩 Fasten the SMALL RIGHT END (V) to the LEFT BOTTOM (U). Use three BLACK 3/8" HEX HEAD SCREWS (47) and the L-WRENCH (36).
- 🔩 Tighten all of the hex head SCREWS with the L-WRENCH.



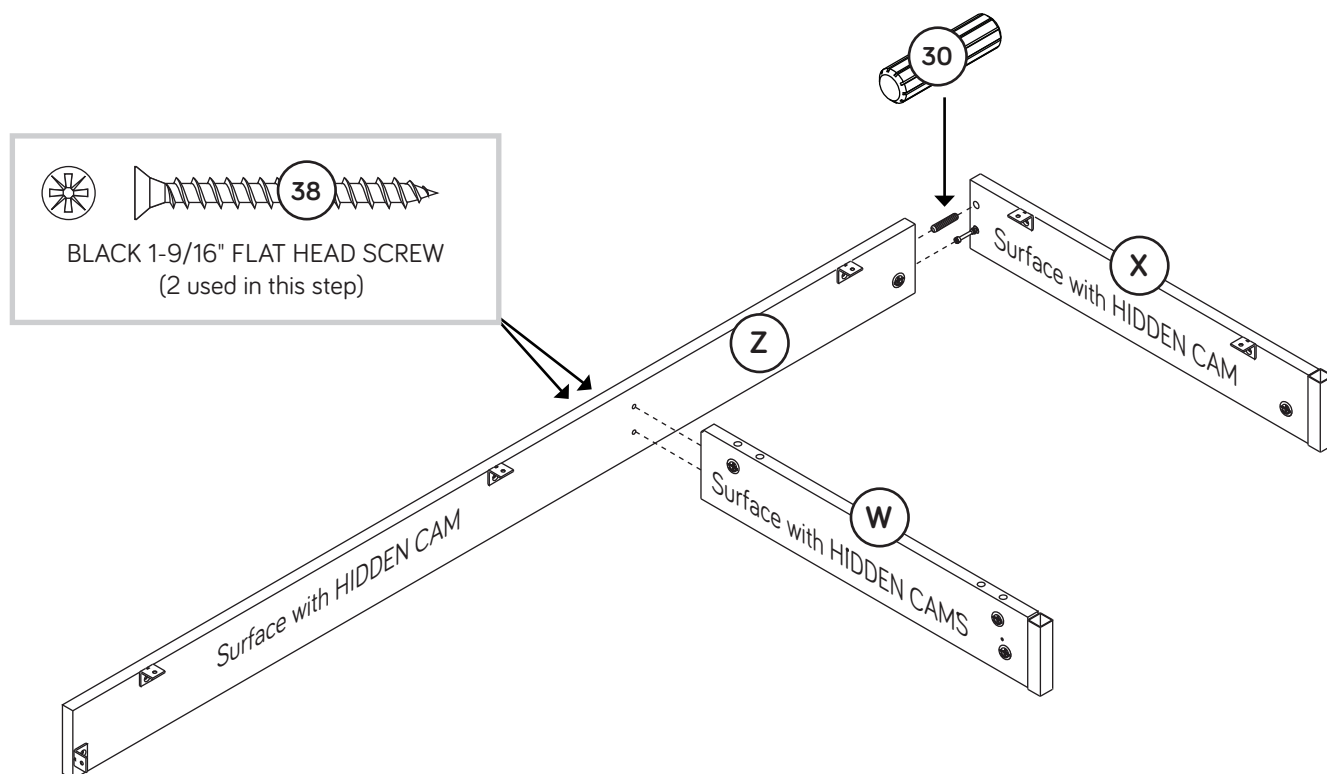
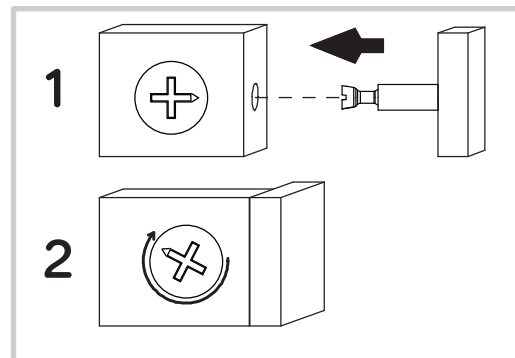
Step 21

- ✚ Insert two WOOD DOWELS (30) into the short edges of the SMALL UPRIGHTS (W and X).
- ✚ Fasten the SHORT TUBES (Y) to the SMALL UPRIGHTS (W and X). Tighten two HIDDEN CAMS.
- ✚ NOTE: Be sure the WOOD DOWELS in the SMALL UPRIGHTS insert into the holes in the SMALL TUBES.



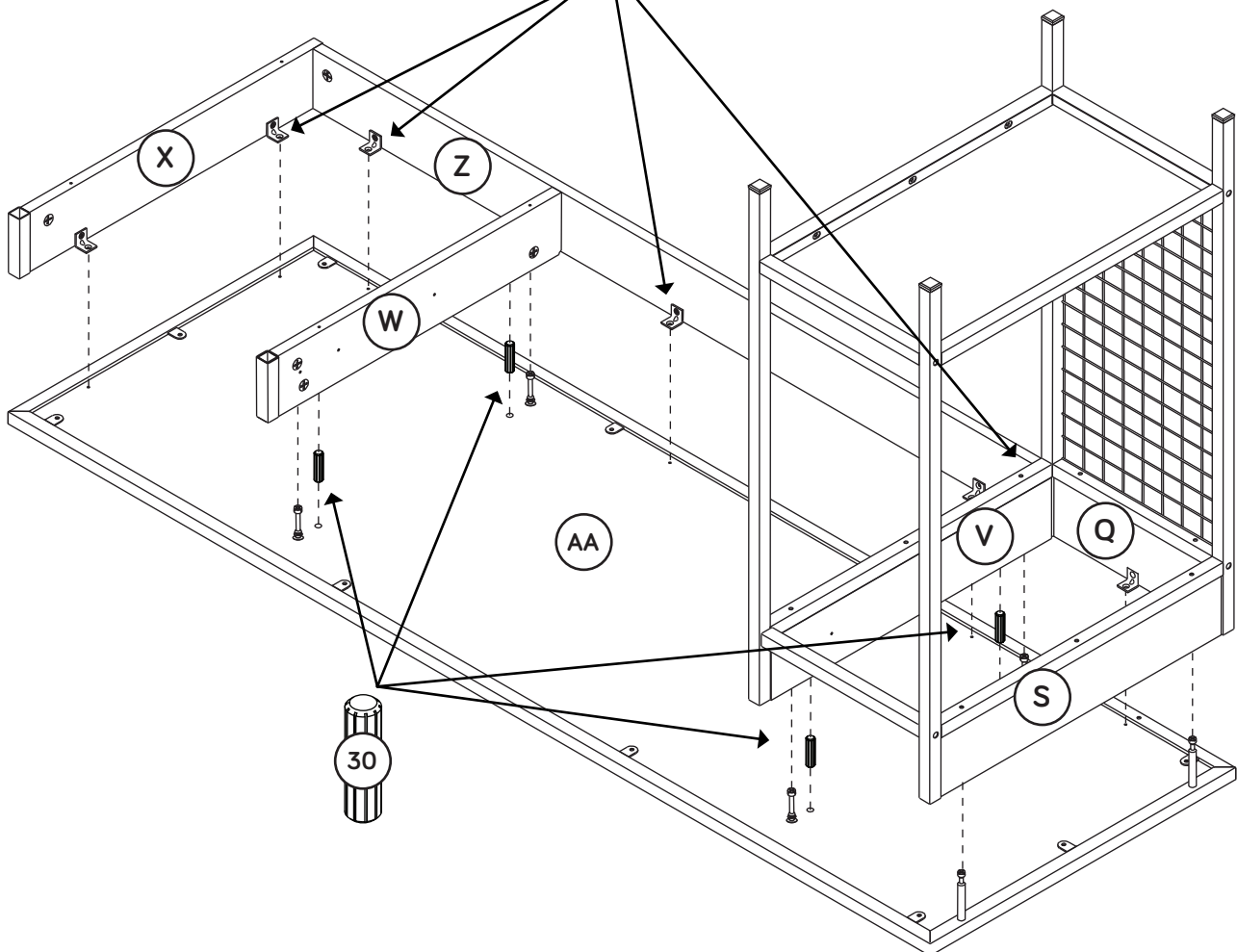
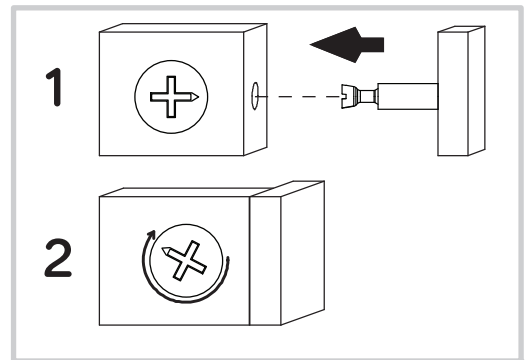
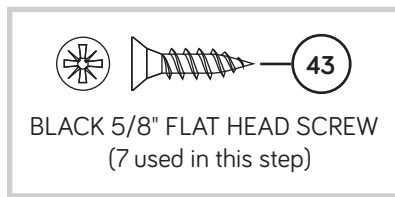
Step 22

- ✚ Insert a WOOD DOWEL (30) into the hole in the SMALL RIGHT UPRIGHT (X).
- ✚ Fasten the SMALL RIGHT UPRIGHT (X) to the LONG BACK (Z). Tighten the HIDDEN CAM.
- ✚ NOTE: Be sure the WOOD DOWEL in the SMALL RIGHT UPRIGHT inserts into the LONG BACK.
- ✚ Fasten the SMALL LEFT UPRIGHT (W) to the LONG BACK (Z). Use two BLACK 1-9/16" FLAT HEAD SCREWS (38).



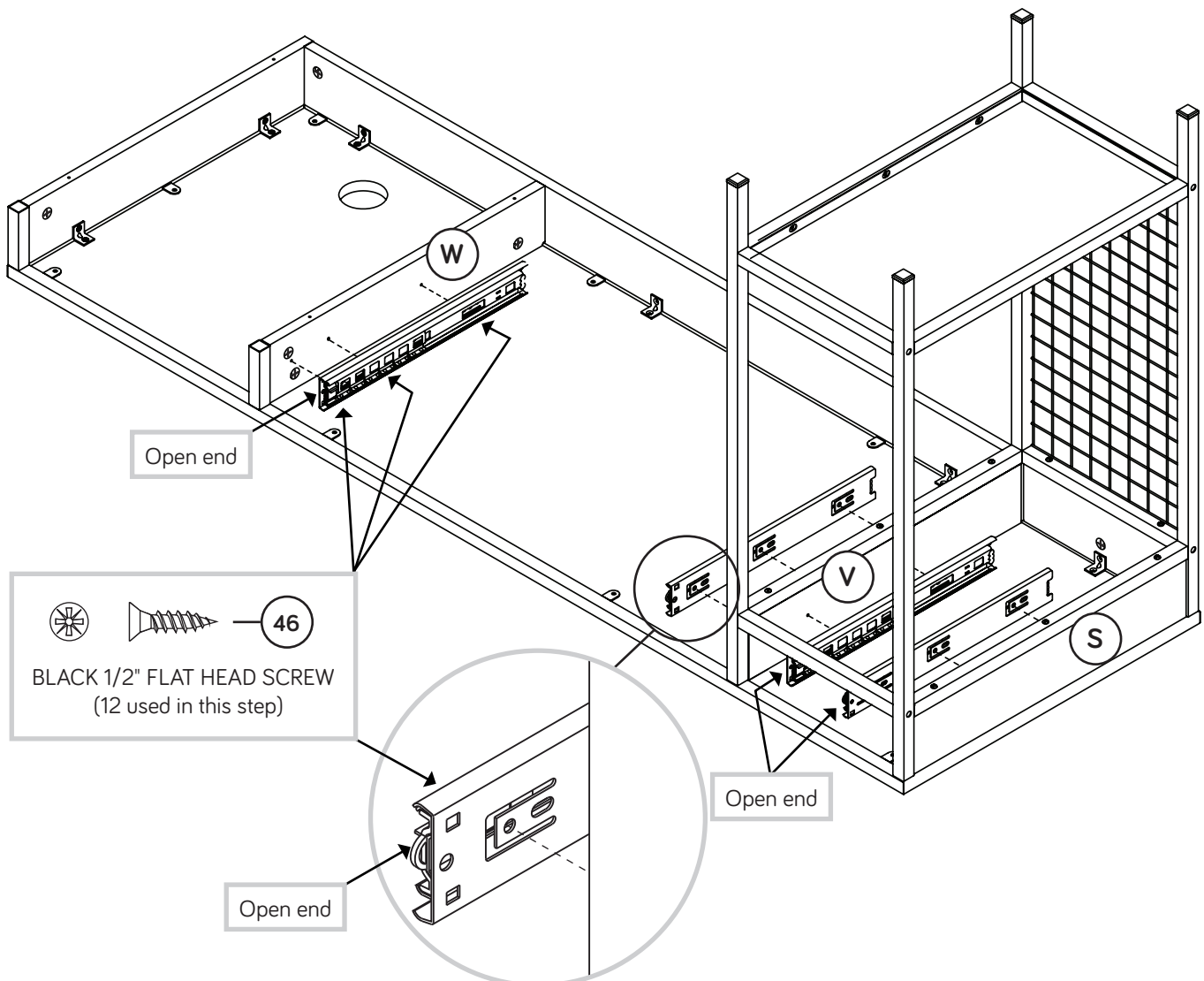
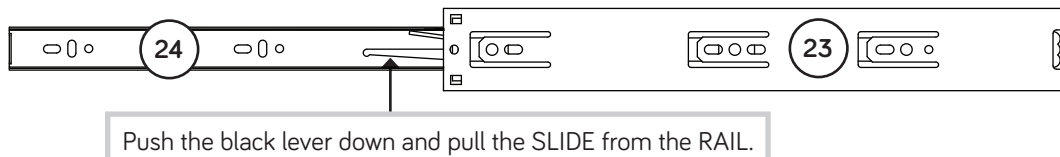
Step 23

- ✚ Insert four WOOD DOWELS (30) into the LARGE TOP (AA).
- ✚ Fasten the SMALL UPRIGHTS (W and X) and LONG BACK (Z) to the LARGE TOP (AA). Tighten two HIDDEN CAMS.
- ✚ Fasten the SMALL RIGHT UPRIGHT (X) and LONG BACK (Z) to the LARGE TOP (AA). Use five BLACK 5/8" FLAT HEAD SCREWS (43).
- ✚ **NOTE:** Be sure the WOOD DOWELS in the LARGE TOP insert into the holes in the SMALL LEFT UPRIGHT.
- ✚ Fasten the SMALL ENDS (S and V) to the LARGE TOP(AA). Tighten four HIDDEN CAMS.
- ✚ **NOTE:** Be sure the WOOD DOWELS in the LARGE TOP insert into the holes in the SMALL RIGHT END.
- ✚ Fasten the SHORT BACK (Q) to the LARGE TOP (AA). Use a BLACK 5/8" FLAT HEAD SCREW (43).
- ✚ Fasten the LONG BACK (Z) to the SMALL RIGHT END (V). Use a BLACK 5/8" FLAT HEAD SCREW (43).



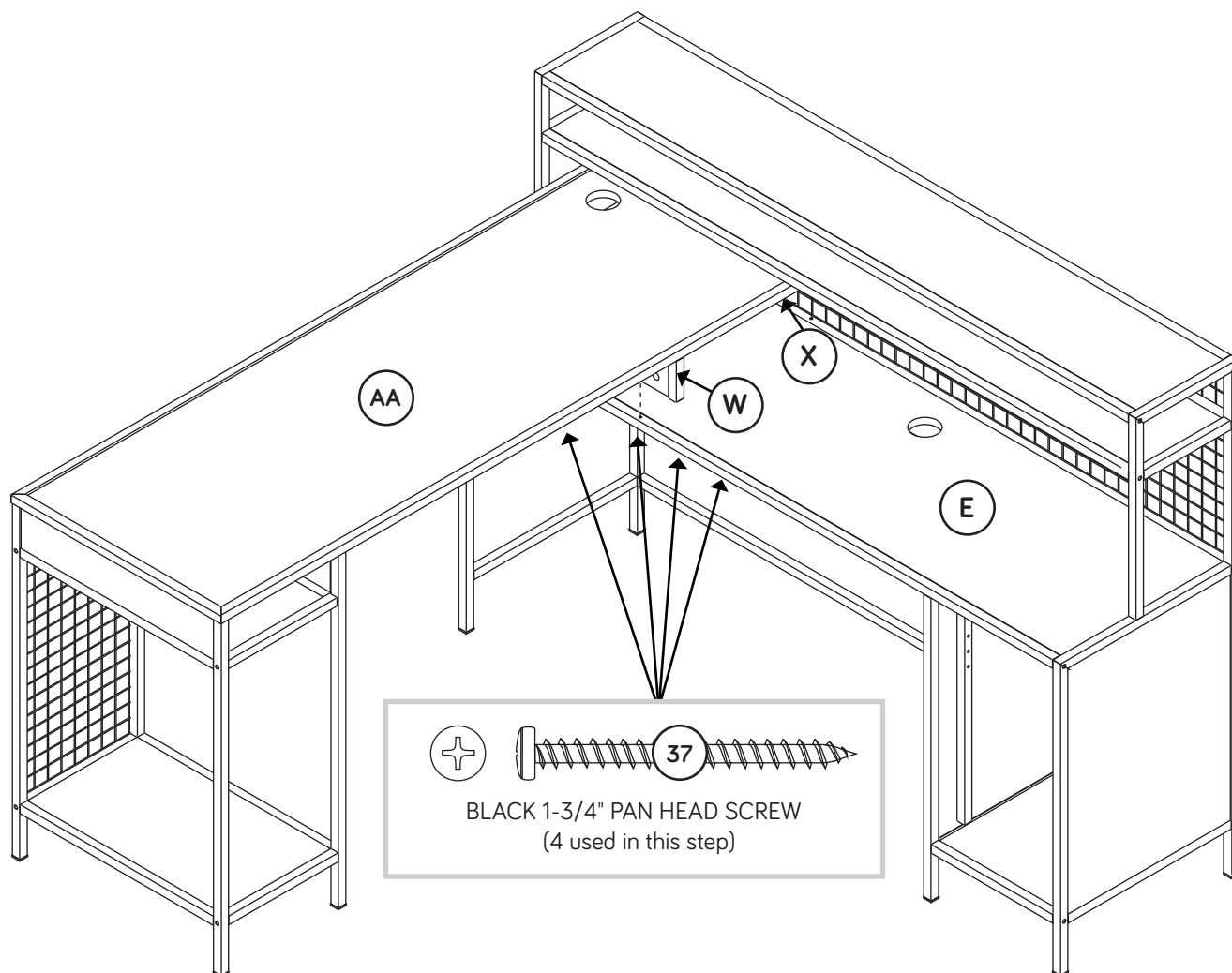
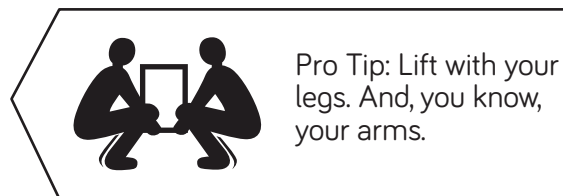
Step 24

- ✦ Separate the EXTENSION SLIDES (24) from the EXTENSION RAILS (23) as shown in the upper diagram below. Be prepared, the parts are greasy.
- ✦ Fasten the EXTENSION RAILS (23) to the SMALL ENDS (S and V) and SMALL LEFT UPRIGHT (W). Use twelve BLACK 1/2" FLAT HEAD SCREWS (46).
- ✦ **NOTE:** For each EXTENSION RAIL, turn a SCREW into the hole shown in the enlarged diagram. Then, slide the inner cartridge of the EXTENSION RAIL in to find the other holes that lines up with the holes in the ENDS and UPRIGHT. Turn a SCREW into these holes.
- ✦ **NOTE:** The EXTENSION SLIDES will be used later for the DRAWERS.



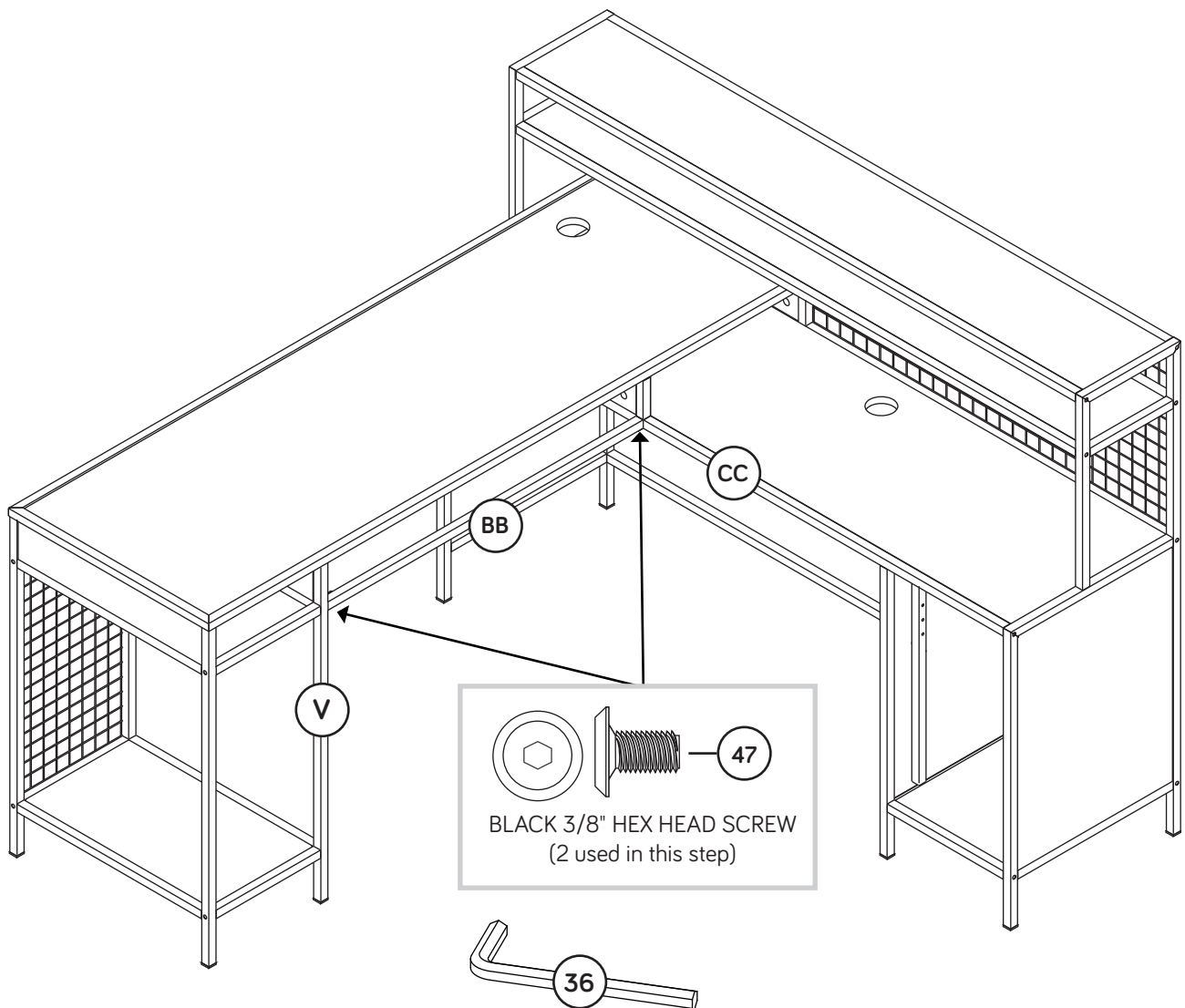
Step 25

- ⚡ This step will require two people to fasten the LARGE TOP (AA) section to the SMALL TOP (E) section.
- ⚡ Carefully stand the SMALL TOP (E) section upright.
- ⚡ Carefully stand the LARGE TOP (AA) section upright. Fasten the SMALL UPRIGHTS (X and W) to the SMALL TOP (E). Use four BLACK 1-3/4" PAN HEAD SCREWS (37).



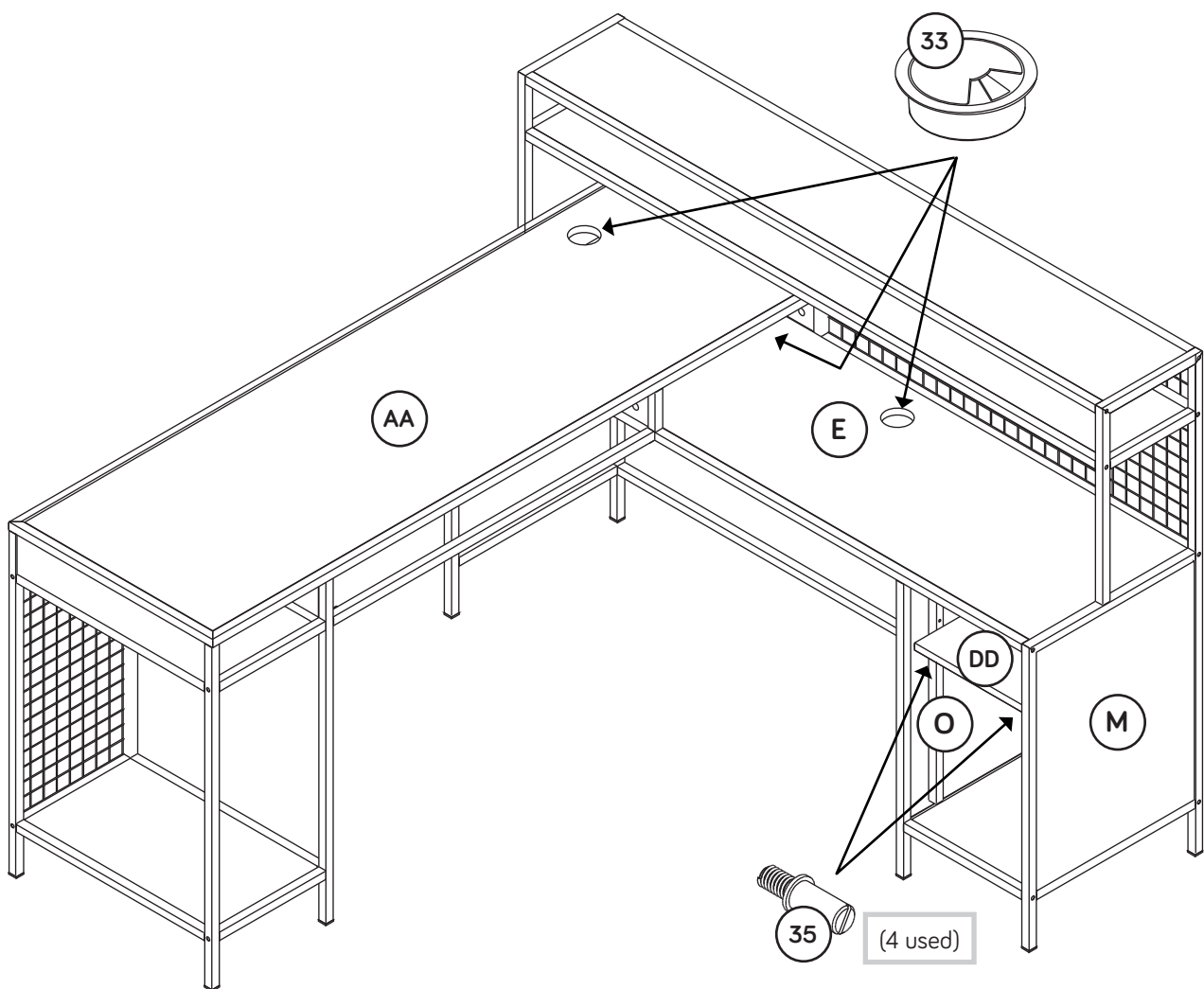
Step 26

- Fasten the LONG LEFT TUBE (BB) to the SMALL RIGHT END (V) and FRONT RIGHT TUBE (CC). Tighten two BLACK 3/8" HEX HEAD SCREWS (47) with the L-WRENCH (36).



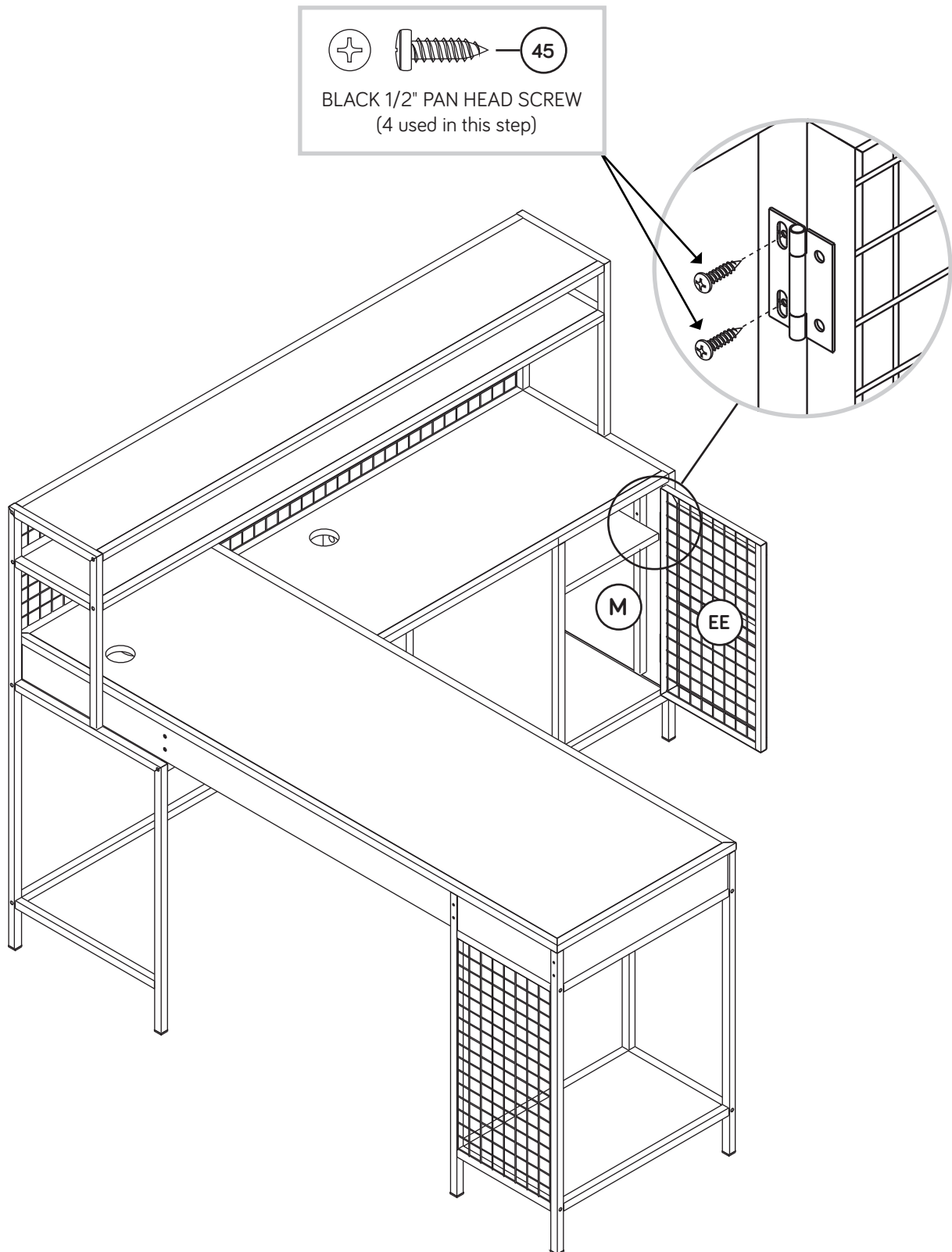
Step 27

- Turn four METAL PINS (35) into the holes of your choice in the LARGE RIGHT END (M) and LARGE UPRIGHT (O) for placement of the ADJUSTABLE SHELF (DD).
- Place the ADJUSTABLE SHELF (DD) onto the METAL PINS.
- Push three GROMMETS (33) into the large holes in the TOPS (E and AA).



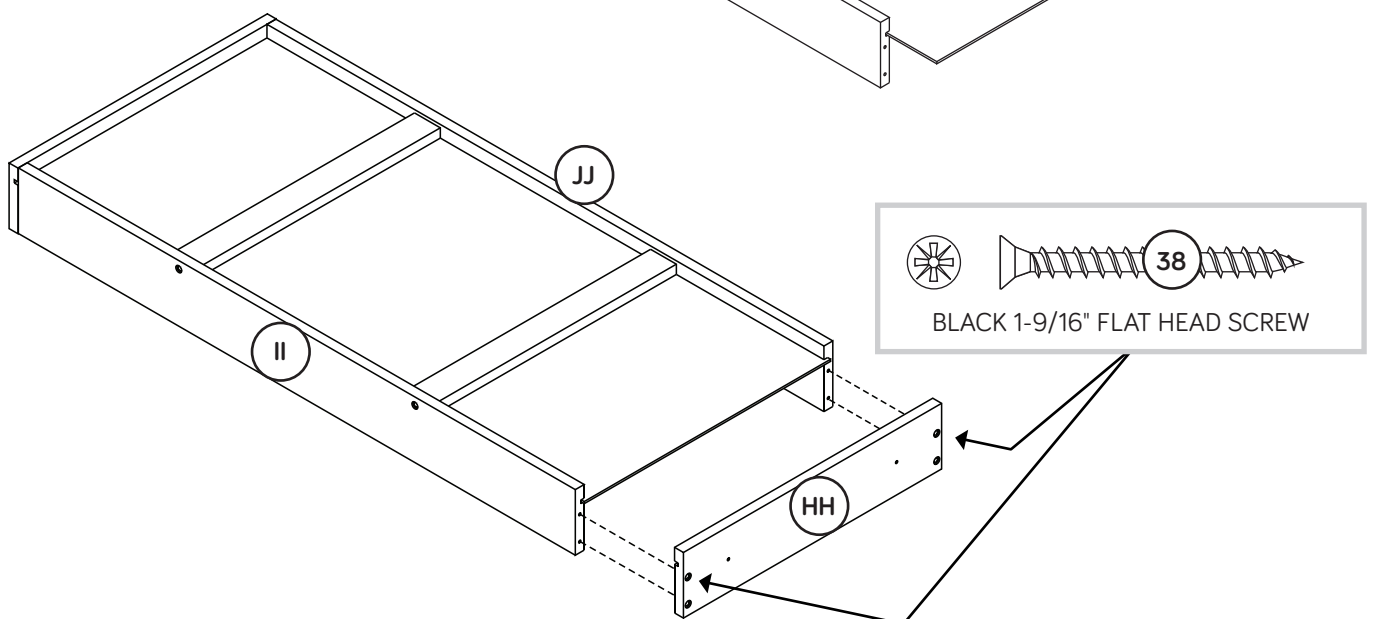
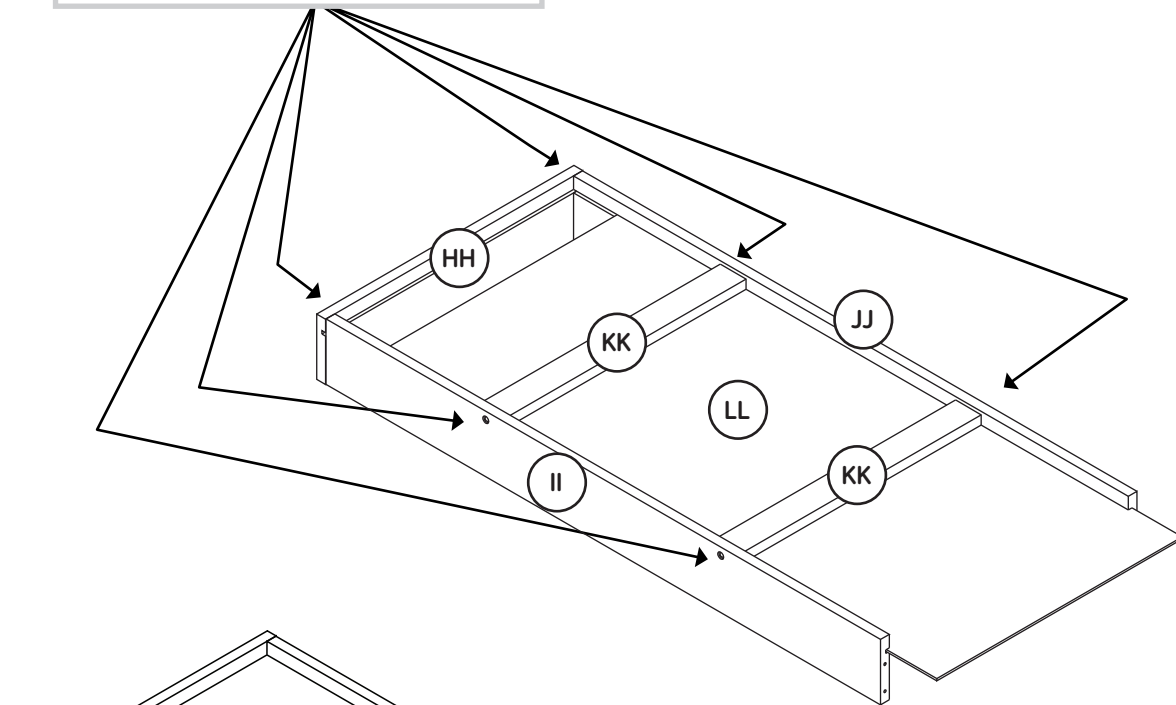
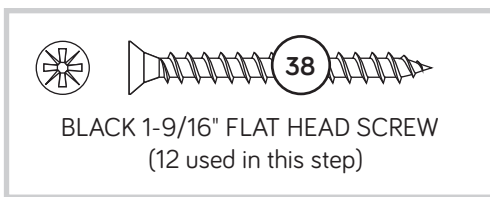
Step 28

- Fasten the hinges on the DOOR (EE) to the LARGE RIGHT END (M). Use four BLACK 1/2" PAN HEAD SCREWS (45).



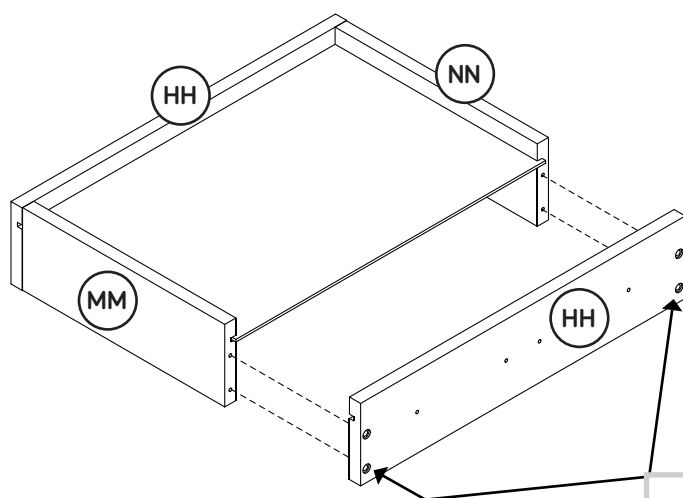
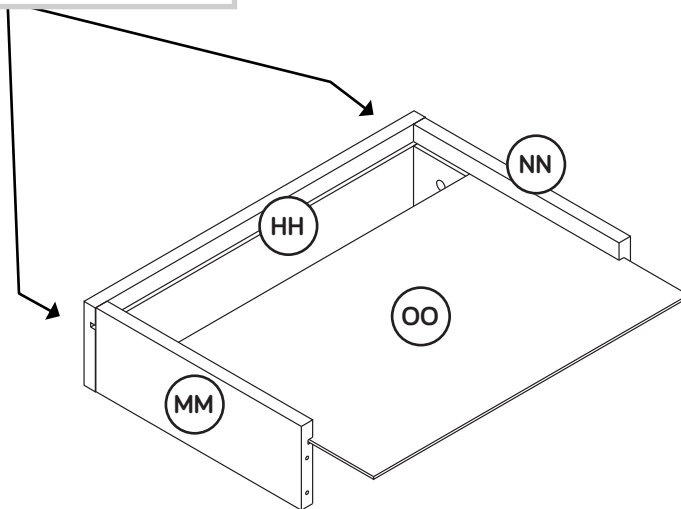
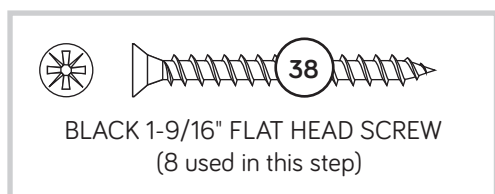
Step 29

- Fasten a DRAWER SIDE (HH) to the LARGE DRAWER BOX FRONT (JJ) and the LARGE DRAWER BACK (II). Use four BLACK 1-9/16" FLAT HEAD SCREWS (38).
- Fasten the DRAWER BRACES (KK) to the LARGE DRAWER BOX FRONT (JJ) and the LARGE DRAWER BACK (II). Use four BLACK 1-9/16" FLAT HEAD SCREWS (38).
- Slide the LARGE DRAWER BOTTOM (LL) into the grooves of the DRAWER SIDE (HH), LARGE DRAWER BACK (II) and LARGE DRAWER BOX FRONT (JJ).
- Fasten a DRAWER SIDE (HH) to the opposite end of the LARGE DRAWER BOX FRONT (JJ) and the LARGE DRAWER BACK (II). Use four BLACK 1-9/16" FLAT HEAD SCREWS (38).



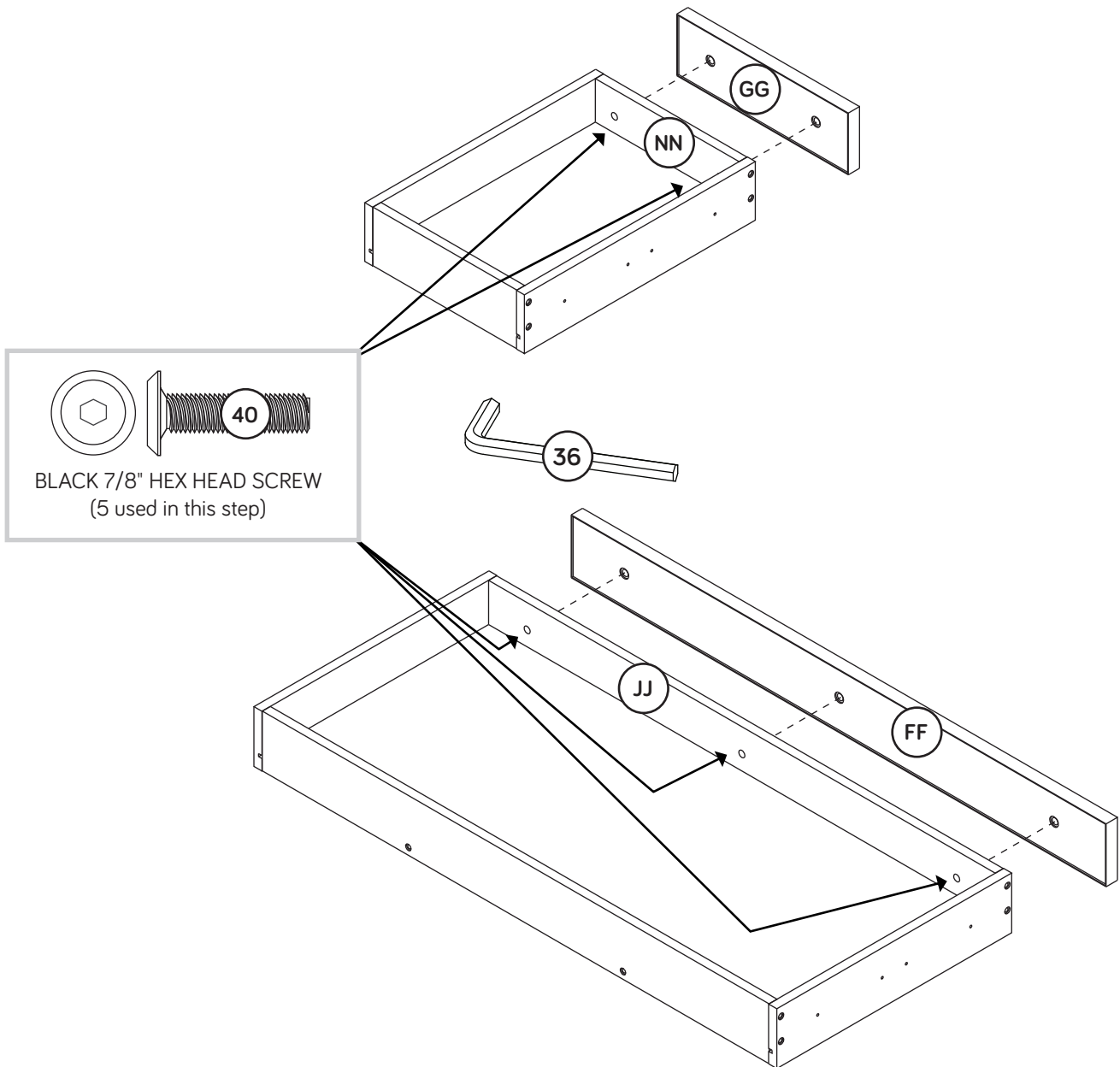
Step 30

- Fasten a DRAWER SIDE (HH) to the SMALL DRAWER BACK (MM) and SMALL DRAWER BOX FRONT (NN). Use four BLACK 1-9/16" FLAT HEAD SCREW (38).
- Slide the SMALL DRAWER BOTTOM (OO) into the grooves of the DRAWER SIDE (HH), SMALL DRAWER BACK (MM) and SMALL DRAWER BOX FRONT (NN)
- Fasten the remaining DRAWER SIDE (HH) to the SMALL DRAWER BACK (MM) and SMALL DRAWER BOX FRONT (NN). Use four BLACK 1-9/16" FLAT HEAD SCREW (38).



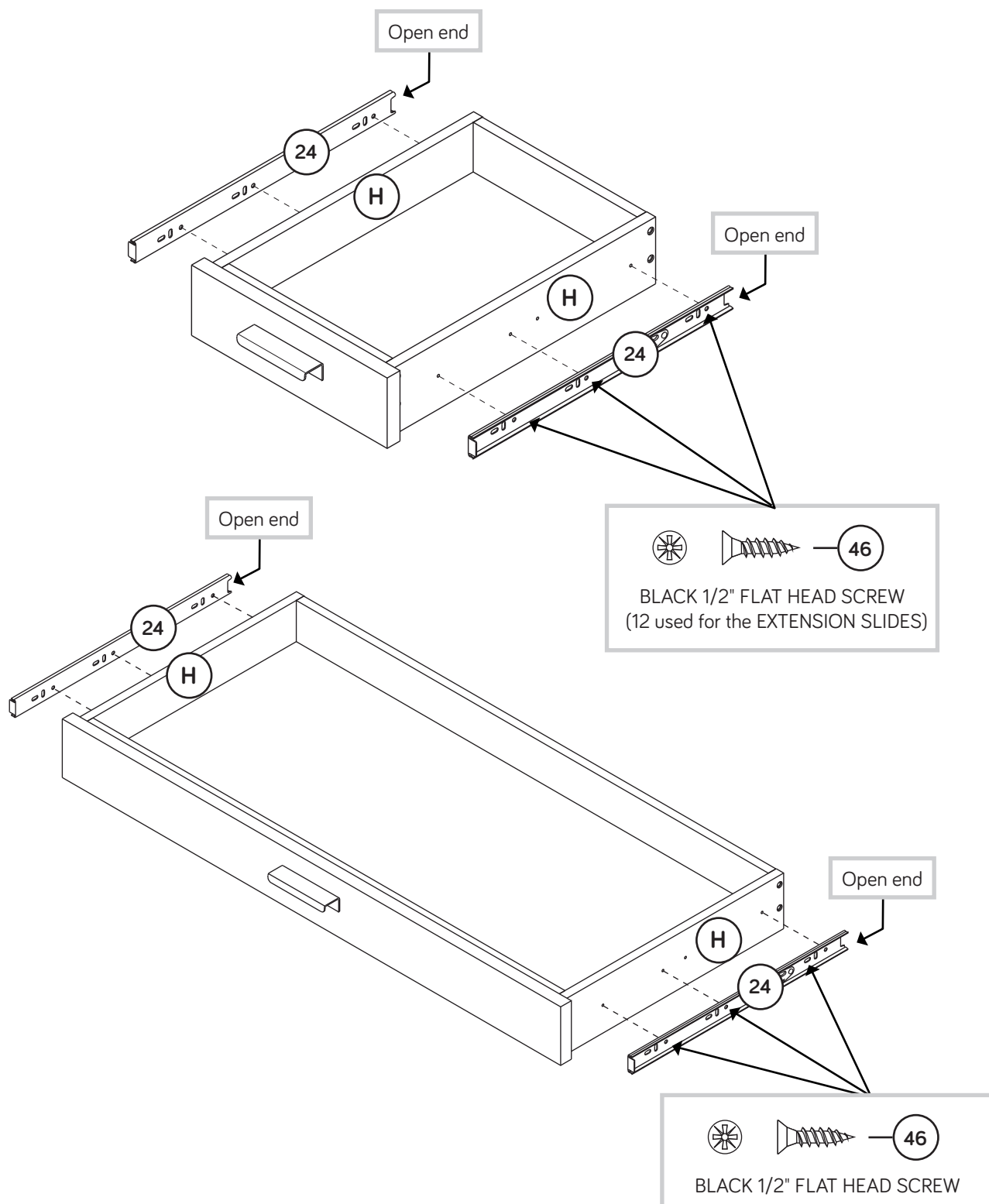
Step 31

- Fasten the SMALL DRAWER FRONT (GG) to the SMALL DRAWER BOX FRONT (NN). Tighten two BLACK 7/8" HEX HEAD SCREWS (40) with the L-WRENCH (36).
- Fasten the LARGE DRAWER FRONT (FF) to the LARGE DRAWER BOX FRONT (JJ). Tighten three BLACK 7/8" HEX HEAD SCREWS (40) with the L-WRENCH (36).



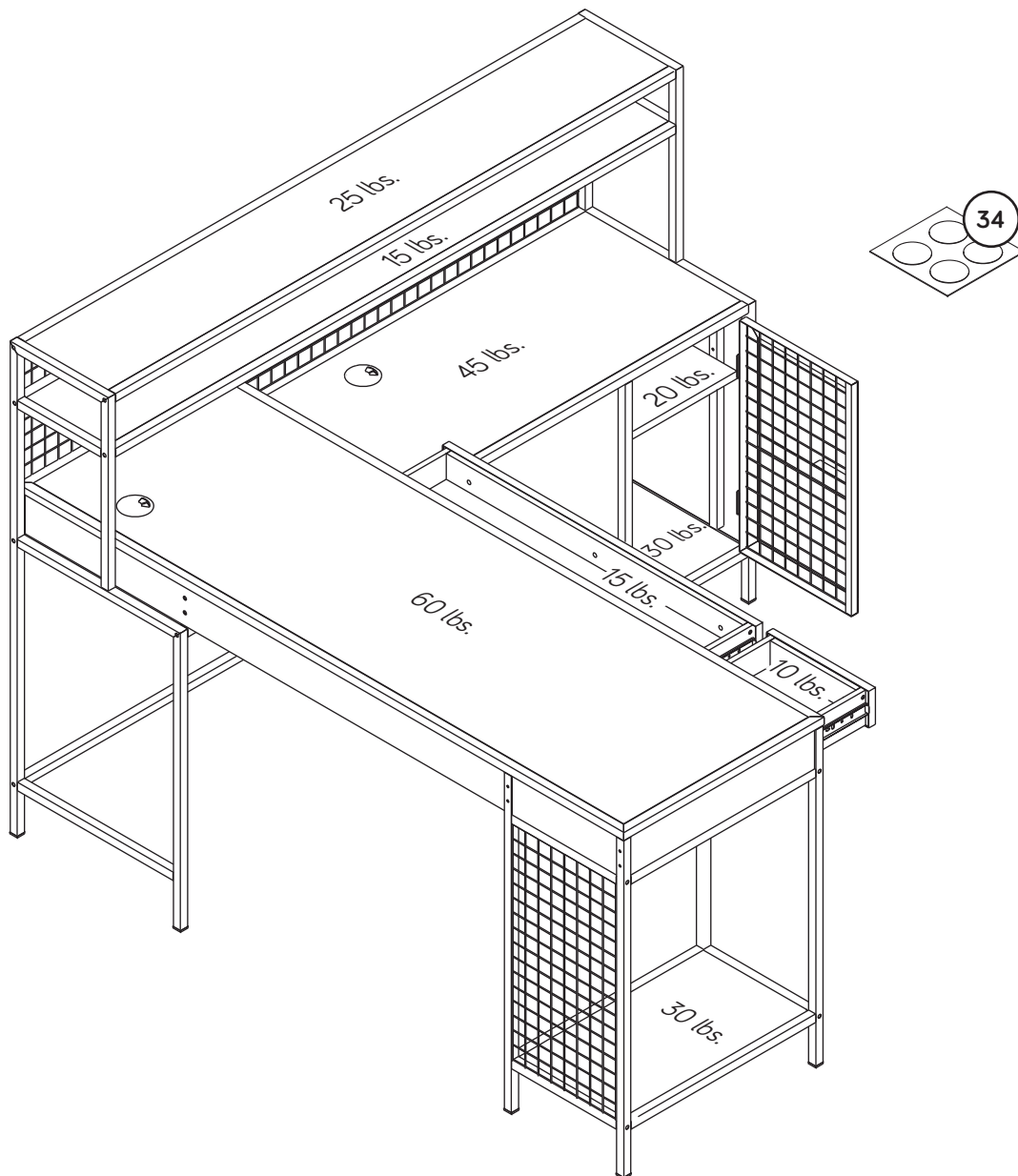
Step 32

- Fasten the EXTENSION SLIDES (24) to the DRAWER SIDES (H) as shown. Use twelve BLACK 1/2" FLAT HEAD SCREWS (46).



Step 33

- ✦ Peel APPLIQUES from the APPLIQUE CARD (34) and stick them onto each visible HIDDEN CAM.
- ✦ To insert a drawer into your unit, line up the EXTENSION SLIDES on the drawer with the EXTENSION RAILS on the unit and push the drawer into the unit until the drawer is fully inserted. The drawer will push in hard until it is all the way in, then it will slide in and out easier.
- ✦ NOTE: Please read the back pages of the instruction booklet for important safety information.
- ✦ This completes assembly. Clean with a damp cloth. Wipe dry.



⚠ WARNING

Please use your furniture correctly and safely. Improper use can cause safety hazards, or damage to your furniture or household items. **Carefully read the following chart.**

Look out for:	What can happen:	How to avoid the problem:
<ul style="list-style-type: none">• Overloaded shelves or drawers.• Improper loading can cause the product to be top-heavy.	<ul style="list-style-type: none">• Risk of injury.• Top-heavy furniture can tip over.• Overloaded shelves and drawers can break.	<ul style="list-style-type: none">• Never exceed the weight limits shown in the instructions.• Work from bottom to top when loading shelves and drawers. Place the heavier items on the lower shelves or in lower drawers.
<ul style="list-style-type: none">• Improperly moving furniture that is not designed and equipped with casters.	<ul style="list-style-type: none">• Furniture can tip over or break if improperly moved.• Physical injury. Furniture can be very heavy.• Breakage of tops - particularly with double pedestal furniture (drawers at both ends).	<ul style="list-style-type: none">• Unload shelves and drawers from top to bottom before moving the unit.• Do not push furniture, especially on a carpeted floor. Have a friend help you lift the item and set it in place.• Provide support to the center section of the top when lifting the furniture.
<ul style="list-style-type: none">• Placing TVs on furniture items that are not designed to support a television is hazardous.	<ul style="list-style-type: none">• Risk of injury or death. TVs can be very heavy. Plus the weight and location of the picture tube tends to make TVs unbalanced and prone to tipping forward.	<ul style="list-style-type: none">• This product is not designed to support a television.