

# Accessories



## Styles



Desk  
Accessories



Cable  
Accessories



Office  
Accessories



Seating  
Accessories

## About

---

Enhance your office furniture with our range of high quality accessories which will add the finishing touches to any office environment. With smart solutions designed to customise your workstation to your needs and for powering and getting data to your workstations whilst leaving them free from trailing cables, we have everything you need to promote a more organised work space.



Monitor arms creating the perfect screen position for each individual user

Strong and practical CPU holders mount beneath the work surface

Cable management solutions to prevent cluttered cables on the floor

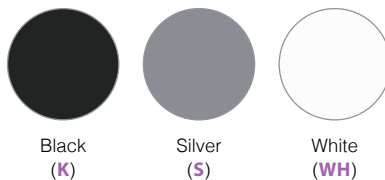
Coat stands are handy for hanging personal items including umbrellas

Upgrade or enhance the look and feel of the chair with our seating accessories

## Stocked Finishes

---

(Selected products)

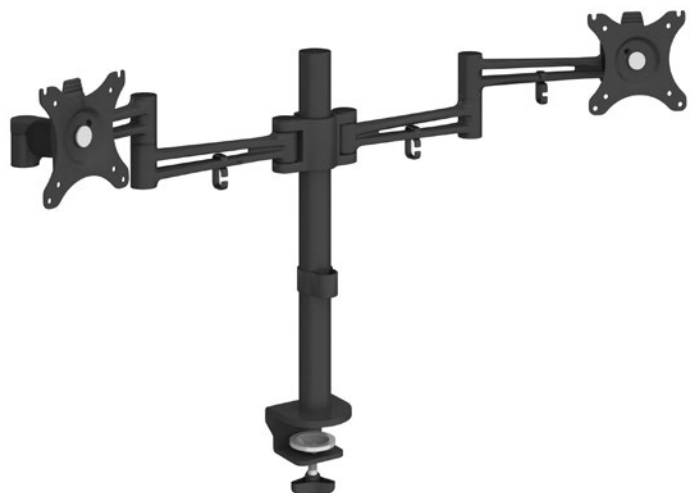


Black  
(K)

Silver  
(S)

White  
(WH)

The Luna range of single and double monitor arms are designed to enhance maximum flexibility of the office environment, ensuring user comfort when using the screen. The well-being of employees in the office space is becoming more vital, and the number one cause of lower neck pain is due to incorrect monitor positions, allowing users to work in a more comfortable position.



Supplied complete with both desk clamp fit and cable port fittings

One touch height adjustment with quick removable, VESA mounting plate

Rotating the monitor holders allows landscape or portrait positioning

Quick, easy installation arms come complete with clips for cable management

CODE	DESCRIPTION	RRP
<b>LSMARM</b>	Luna single flat screen monitor arm	<b>£85</b>
<b>LDMARM</b>	Luna double flat screen monitor arm	<b>£141</b>



Black  
(K)



Silver  
(S)



White  
(WH)



Triton monitor arms have a gas spring hovering system to provide smooth and effortless adjustments which can be tailored to the user's exact needs, allowing them to sit more comfortably. The space-saving design of the double arm allows both monitors to be positioned adjacent to each other and at the back of the desk allowing the user more space to work, with a handy built-in USB port.



**SPACE SAVING DESIGN**

**12 kg**  
Each arm

**17" - 32"**  
Each arm



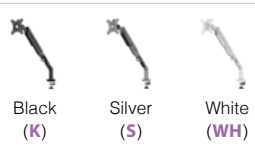
Supports clamp or grommet installation with discreet cable management

High-quality ball joint tilts and quick-release VESA plate for easy adjustment

Gas spring hovering system adjusts monitor height with 90 to 150 tilt range

Double monitor arm has space-saving gas spring arm with built-in USB port

CODE	DESCRIPTION	RRP
TGSMARM	Luna single flat screen monitor arm	£186
TGDMARM	Luna double flat screen monitor arm	£267





The practical Neon CPU holder is easy to install and easily accessible, protecting the valuable computer equipment from damage and dust, in addition to keeping the CPU off the floor or desk, saving work surface and leg space. Available in silver and white, Neon CPU holders have a unique captive foot making them suitable for CPU's of various sizes, with better access to cables and ports.



Under desk CPU holder for use on 25mm thick desktops

Height adjustment to fit computer towers from 320mm to 500mm

Width adjustment for 50-77mm, 100-110mm or 128-210mm CPU's

Holds CPU's with a weight capacity up to 20Kg

CODE	DESCRIPTION	W	D	H	RRP
NECPU	Neon under desk CPU holder	130	250	320-500	£104



Silver (S)



White (WH)

DESK ACCESSORIES HALO LARGE 4 SIDED CPU HOLDER



Our extremely durable Halo 4-sided CPU holder mounts beneath the work surface to elevate the computer off the floor and protecting it from dirt, dust, and accidental kicking or moving. There is convenient access to ports and cables, quick and easy installation and removal, and an under-desk track mount on a swivel with 1800 rotation with height and width adjustment that fits a variety of CPU's.



285-520h  
130-210w  
20.5 kg



No more reaching around the CPU, simply spin around to see what you're looking for

Protective padding included to better protect the CPU from scratches or damage

Under-desk installation saving more space and keeping your CPU dust-free

Heavy duty and durable steel CPU mounting bracket

CODE	DESCRIPTION	W	D	H	RRP
<b>HLCPU</b>	Halo large under desk CPU holder	240	120	210-520	<b>£116</b>



Black (K)



Silver (S)



White (WH)



Convert an existing desk to a standing desk with our desk converter which offers an easy transition from a comfortable sitting position to a standing one. The monitor riser allows simple and smooth adjustments thanks to the gas spring lift which allows for any height setting within the range, and the separate keyboard and mouse deck adjusts to elevate the screen – keeping it at eye level.



Turns a regular desk into a standing desk without having to replace the desk

Smooth height adjustment and quick-release, with removable keyboard tray

Work surface size of 880 x 415mm with a keyboard tray size 880 x 308mm

Allows the user to sit, stand, and incorporate movement into the working day

CODE	DESCRIPTION	W	D	H	RRP
SHAW	Sora height adjustable sit stand desk converter	880	385	120-505	£384



Black  
(K)



Enhance your office furniture with our range of cable management solutions which will add the finishing touches to any office environment. With smart solutions designed to customise your work area to your needs and for powering and getting data to your workstations whilst leaving them free from trailing cables, we have everything you need to promote a more organised work space.



Cable Management Trays



CODE	W	D	H	RRP
<b>WB0800</b>	800	200	100	<b>£82</b>
<b>WB1000</b>	1000	200	100	<b>£88</b>
<b>WB1200</b>	1200	200	100	<b>£99</b>
<b>WB1400</b>	1400	200	100	<b>£102</b>

- Drop down silver cable management tray with plastic end covers
- Specify sizes shorter than the desk size e.g. use WB1400-S with a 1600mm desk



Silver  
(S)

Cable Spines



CODE	W	D	H	RRP
<b>ROSP</b>	80	80	760	<b>£69</b>

- Simple attractive solution to carry cables from floor to desk 760mm long
- Unique rotating desk fixing with oval shaped segments & large weighted base



Black  
(BL)



Grey  
(GR)



Opaque  
(OP)



Keep the office free from clutter with a place to store coats, hats, bags and umbrellas with our versatile and stylish coat and umbrella stands. A good coat stand helps keep things organised for the whole office and keeps other essentials out of the way too, with plenty of hooks, at a range of heights and at different sizes, meaning there is a coat and umbrella stand for everyone and everything.



x12



x4

CODE	W	D	H	RRP
<b>PMCLAS2</b>	360	360	1840	<b>£123</b>

- Grey stand with wooden fittings and 12 coat hooks
- With umbrella stand and drip tray for up to 4 umbrellas



x8



x8

CODE	W	D	H	RRP
<b>PMCLEON2</b>	360	360	1780	<b>£103</b>

- Black stand with wooden fittings and 8 coat hooks
- With umbrella stand and drip tray for up to 8 umbrellas



x8



x8

CODE	W	D	H	RRP
<b>PMSTAN3N2</b>	360	360	1780	<b>£82</b>

- Black stand with black plastic fittings and 8 coat hooks
- With umbrella stand and drip tray for up to 8 umbrellas

Nylon 5 star base



CODE	DESCRIPTION	RRP
<b>BAS01</b>	5 star base	<b>£55</b>

- Strong and durable nylon 5 star base
- 635mm diameter suitable for majority of chairs

Chrome 5 star base



CODE	DESCRIPTION	RRP
<b>BAS02</b>	5 star base	<b>£85</b>

- Strong, scratch resistant chrome 5 star base
- 635mm diameter suitable for majority of chairs

Replacement gas stem



CODE	DESCRIPTION	RRP
<b>GAS01</b>	Gas stem	<b>£47</b>

- Black 9" gas stem which is simple to replace
- Class 3 certified in black

Glides



CODE	DESCRIPTION	RRP
<b>GLD01</b>	5 glides	<b>£20</b>

- Simple to replace and prevents chair from moving
- Ideal for educational environments

Soft castor



CODE	DESCRIPTION	RRP
<b>CAS01</b>	5 castors	<b>£20</b>

- Soft edge castors with 50mm diameter
- Ideal for use on hard flooring

Brake loaded castor



CODE	DESCRIPTION	RRP
<b>CAS02</b>	5 castors	<b>£20</b>

- Castor locks when weight is applied
- 50mm diameter



Black



Chrome