

Trestan



Heavy duty table and bench seating system made from 40mm laminate.

Clean and modern looking bench system manufactured from 40mm laminate board. Available in a large array of easy clean laminate colours and high impact contrasting edges. An excellent option for any break-out or informal meeting area where collaboration is important.





Trestan

Specifications

Product Information

- Heavy duty construction
- 40mm thick laminate construction

Options

- Small, Medium and Large dining and poseur tables
- Extensive range of table and bench top colours
- Extensive range of table and bench edge colours
- Bespoke sizing and heights available

Certifications

- BS EN 16139:2013 Level 1

Dimensions (mm)

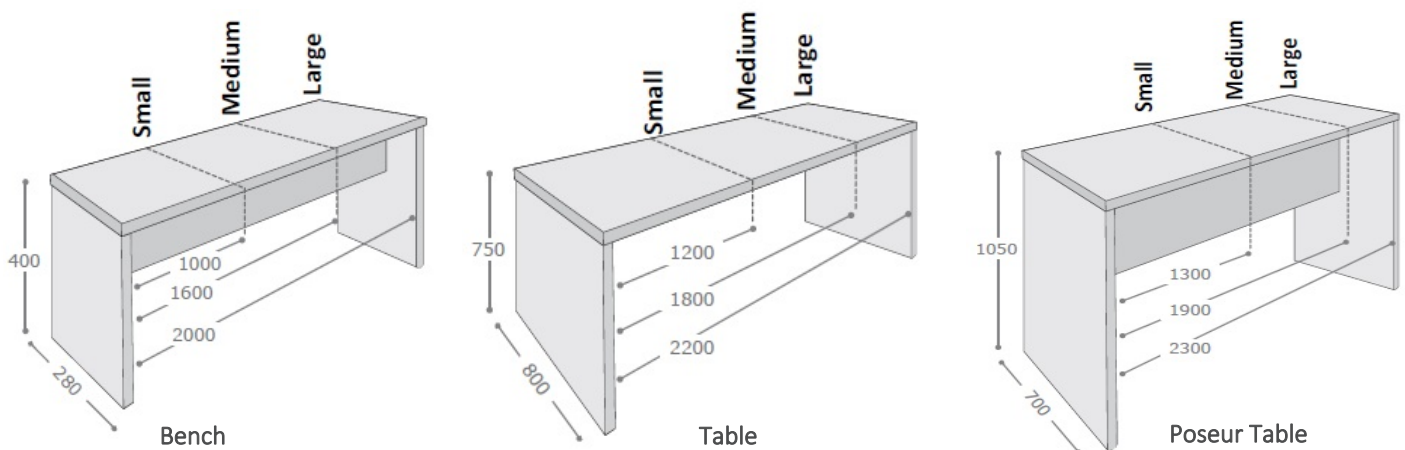


Table and Bench laminate top colour options:



Table and Bench edge colour options:



Features & Benefits

- 5 year warranty - This covers any manufacturing defect within period but does not cover 'fair wear & tear'
- Heavy duty construction- Suitable for contract use in commercial and educational environments
- 40mm thick table and bench tops - Strong quality construction suitable for high usage areas
- Easy clean surfaces - Easy to keep clean and tidy in a busy working/education environment
- High impact resistant edges - Edges do not dent when moved or butted up together
- Extensive range of laminate colour options - Many and varied colours, textures and looks available
- Extensive range of edge colour options - Easy to create a unique designer look
- Bespoke sizing available - Useful for fitting into areas that require bespoke sizing
- Contrasting edges and inset panels available - Easy to create a unique designer look

Tel: 01295 221353

Email: sales@orn-int.co.uk

www.ornfurniture.com