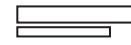


Extra storage

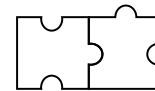
Personal storage is easily catered for with the addition of a slide out plastic tray. Suitable for both A4 and A3 Gratnells trays.

*Please note: table cannot be stacked when tray brackets are installed.



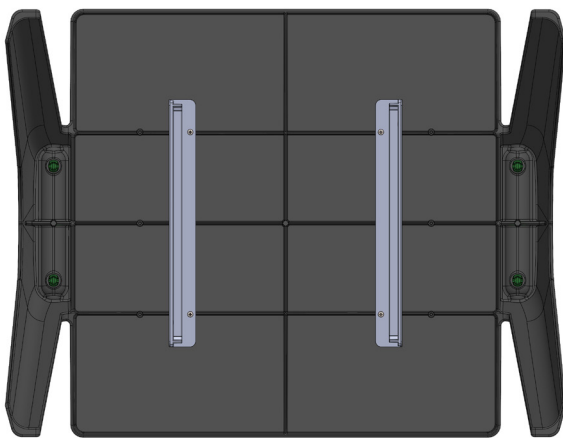
storage

Runners can be attached easily to the underside of the table as an optional extra.

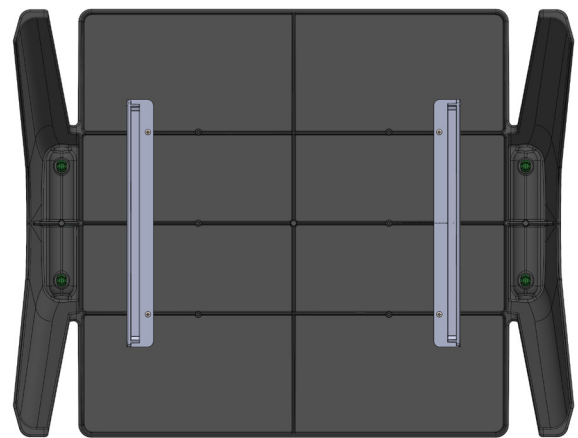


compatible

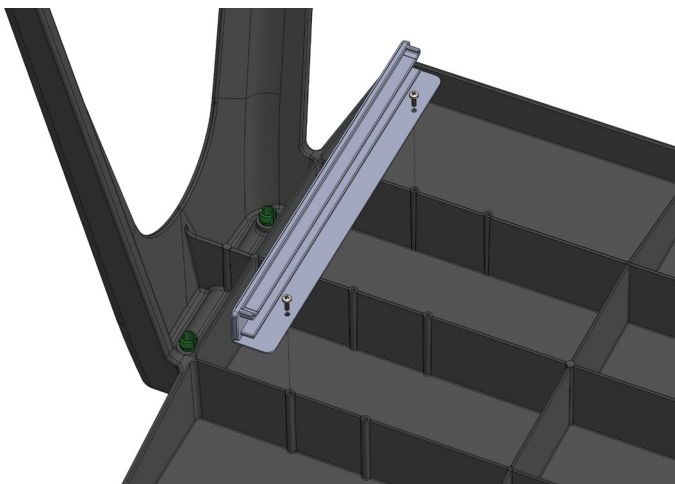
Designed to be suitable for Gratnell tray units to maximise space and storage solutions.



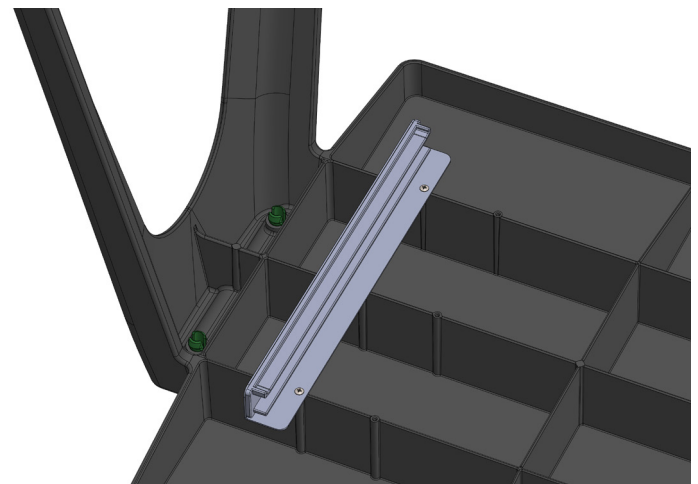
A4 bracket placement



A3 bracket placement



Fasten 2 screws into holes shown



The brackets will be securely fastened