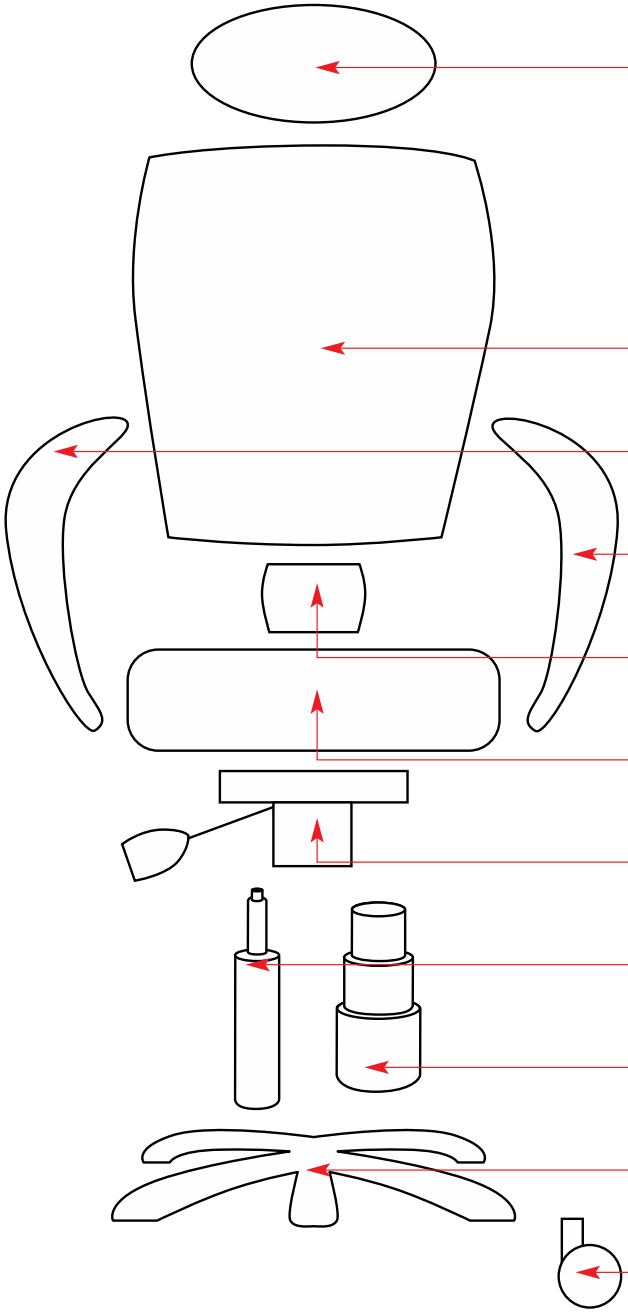


PRODUCT	STAR MESH	6910
---------	-----------	------



HEADREST	N/A	
BACKREST	Z219WH (WHITE), Z219BLU (BLUE)	
ARM <small>RH when seated</small>	Z219 (PAIR OF ARMS)	
ARM <small>LH when seated</small>	Z218 (PAIR OF ARMS)	
BACK BRACKET/MECH	N/A	
SEAT	Z219S	MECHANISM SCREW DIMENSIONS IN CM 
MECHANISM	Z219M	
GAS LIFT	Z23	
TELESCOPE	N/A	
FIVE STAR BASE	Z219B	
CASTORS	Z03	

FIXINGS	x4 M6*20 (mechanism), x4 M6*35 (back bracket), x2 M6*30 (arms-seat), x2 M6*25 (arms-backrest), x4 6*18*1mm washers (back bracket), allen key
---------	--

UNIQUE PARTS	N/A
--------------	-----

NOTES	
-------	--