



Nova

Clean lined and simple but effective picnic style table and bench set.

With its fully welded frame and 40mm thick table and bench top the Nova set is an excellent choice for that high demanding, high usage dining or break-out area because of its strength but with the versatility to create stunning colour combinations with contrasting table and bench edges and bright powder coated colours..





Nova

Specifications

Product Information

- Robust fully welded frame
- 40mm thick table and bench tops

Options

- Small, Medium and Large sets
- Any RAL colour available
- Extensive range of table and bench top colours
- Bespoke sizing and heights available

Certifications

- BS EN 16139:2013 Level 1

Dimensions (mm)

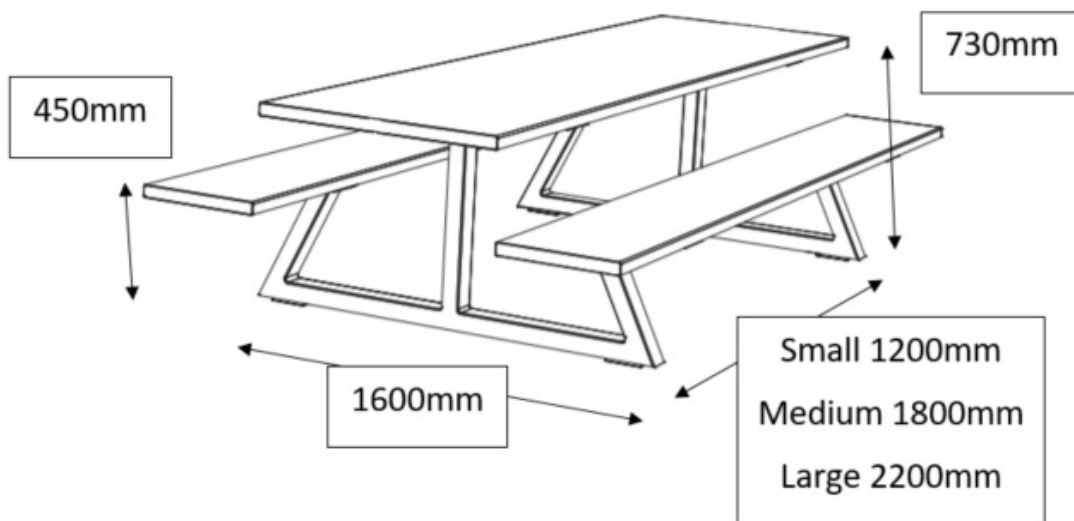
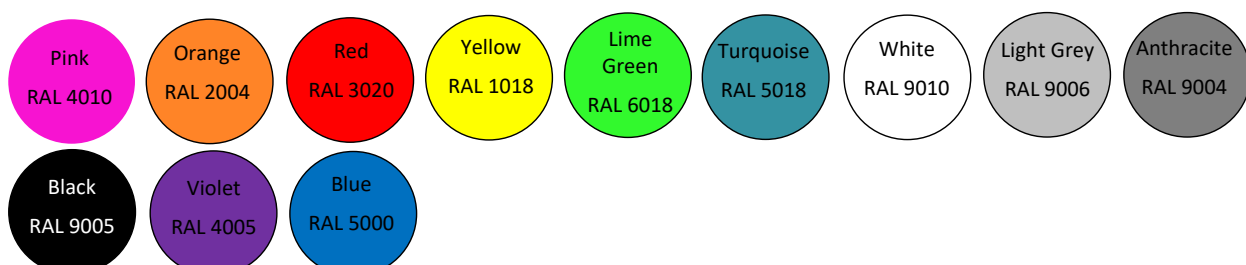


Table and Bench laminate top colour options:



Table and Bench RAL frame colour options:



Features & Benefits

- 5 year warranty - This covers any manufacturing defect within period but does not cover 'fair wear & tear'
- Fully welded frame construction- Suitable for contract use in commercial and educational environments
- 40mm thick table and bench tops - Strong quality construction suitable for high usage areas
- Easy clean surfaces - Easy to keep clean and tidy in a busy working/education environment
- High impact resistant edges - Edges do not dent when moved or butted up together
- Available in any colour colour for the frame - Many and varied colours, textures and looks available
- Large range of laminate colours for the benches and tops - Easy to create a unique designer look
- Very robust and heavy - Great for education environments which have high usage and not easily moved

Tel: 01295 221353

Email: sales@orn-int.co.uk

www.ornfurniture.com