



METALICON®

Dynamic. Expressive. Enduring.



**Ergonomic accessories
for office furniture**

**ARROW
GROUP**



Discover Metalicon®

A growing range of ergonomic office furniture accessories intelligently designed by our team of experts

The Metalicon® product range was launched back in 2012 in response to a growing need for robust but refined accessories to support the office furniture market. We now supply Metalicon® products to customers worldwide.

The office environment has changed dramatically over the last decade with an increased focus on wellbeing, in particular employers pay high attention to workplace ergonomics and the relationship to productivity.

We launched our first pole-mounted monitor arm in 2013 to help office workers avoid the risks associated with display screen equipment and save valuable desk space. Our Kardo range has proved very popular and now includes arms for single, twin and quad screen setups.

Metalicon® has since added more monitor arms to the range, also strong and flexible cable management and compact power modules to the growing product portfolio. We look forward to announcing further intelligently designed product developments very soon.

Experience the difference
Join our global dealer network

Arrow Group sell accessories exclusively to the trade so we never compete with our dealers. Your business is our business, so we strive to provide you with sales leads and extensive support. Our sales and support staff come from a dealer background, so we can empathise with your challenges.

We hold a large stock held in our central warehouse for pan-European delivery.

FREE DELIVERY*
on all products
plus unbeatable
dealer discounts

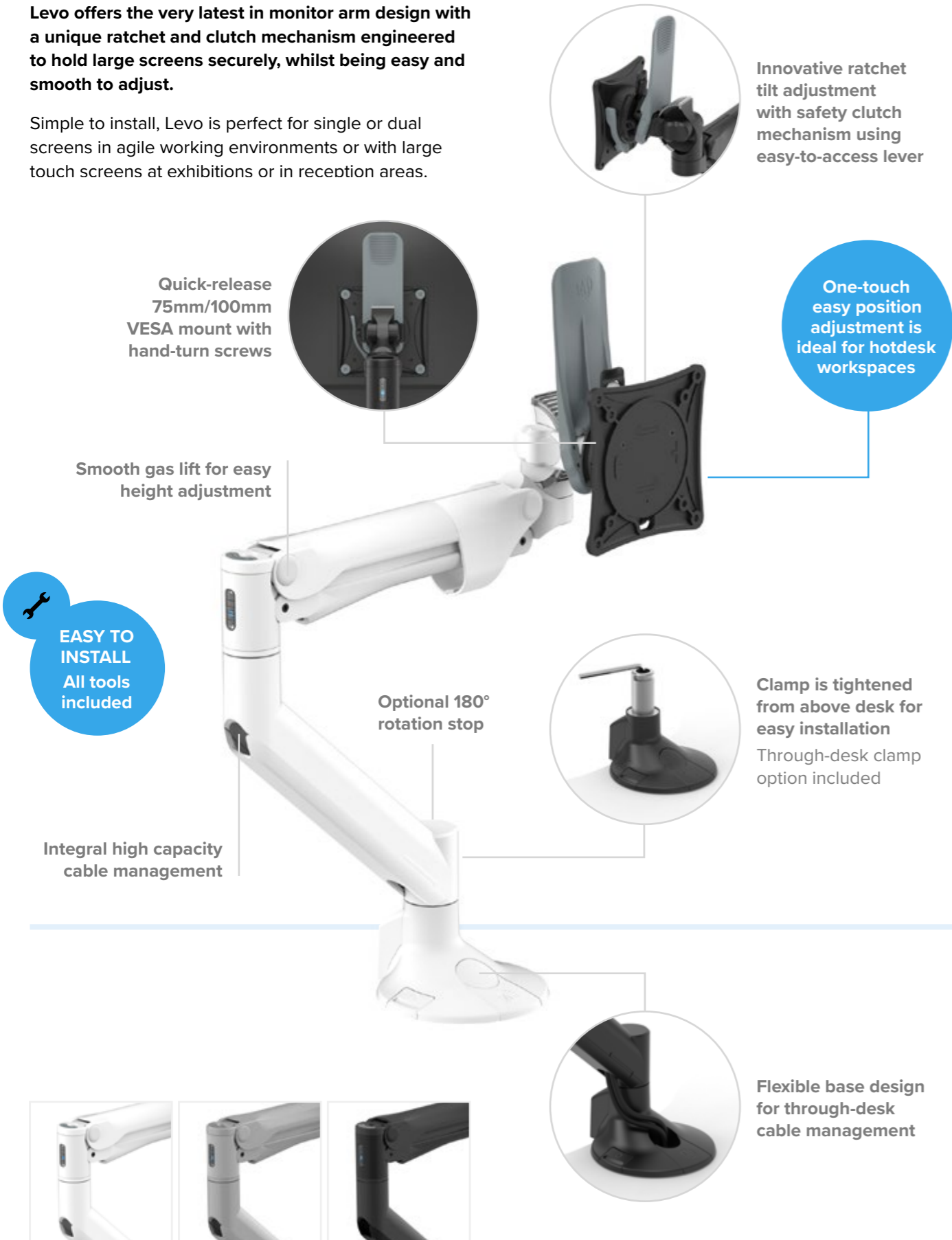


Levo

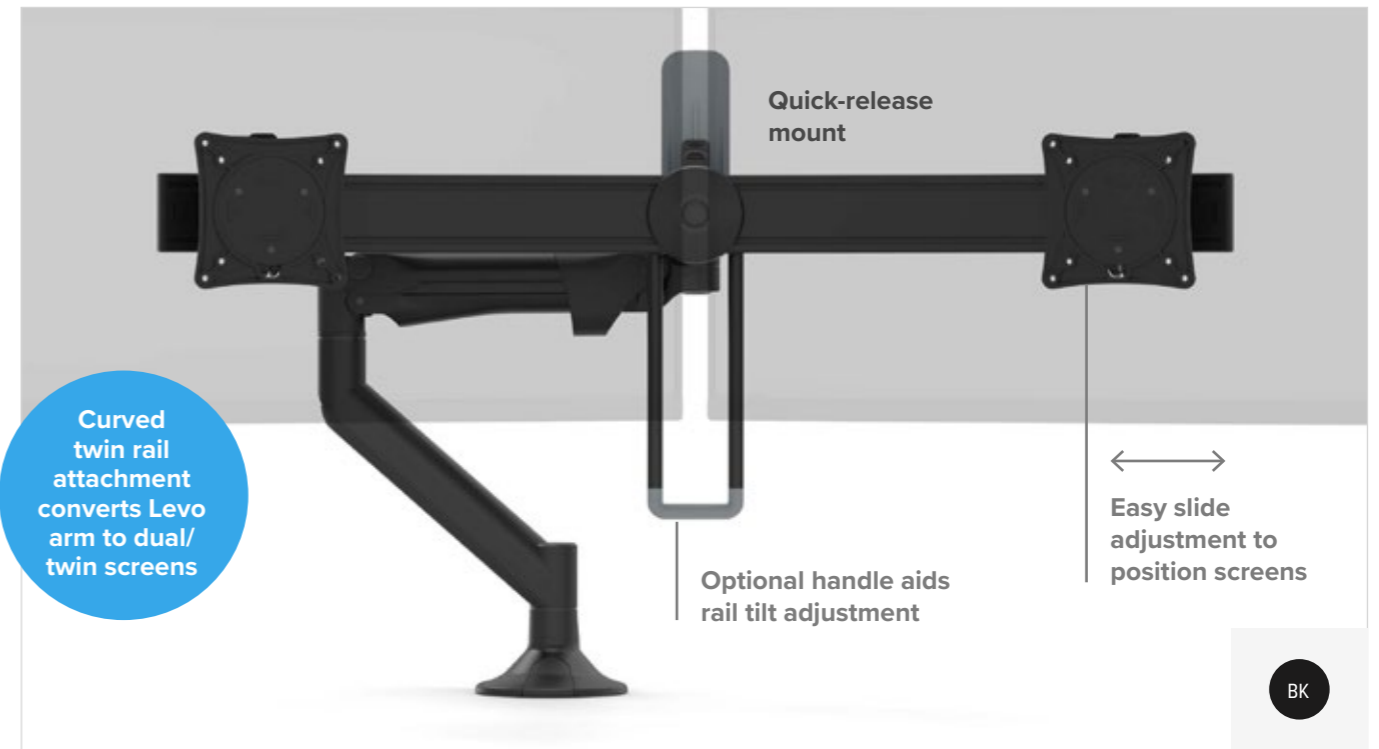
Premium gas lift monitor arm

Levo offers the very latest in monitor arm design with a unique ratchet and clutch mechanism engineered to hold large screens securely, whilst being easy and smooth to adjust.

Simple to install, Levo is perfect for single or dual screens in agile working environments or with large touch screens at exhibitions or in reception areas.



Twin rail for dual screens/monitors



Quick-release twin rail and VESA mounts make installation easy



High capacity integrated cable management easily holds 4 cables



Tension adjustment indicator helps reduce project installation times



All tools included, stored neatly inside the base



Both desk-edge clamp and through-desk clamp included in the box

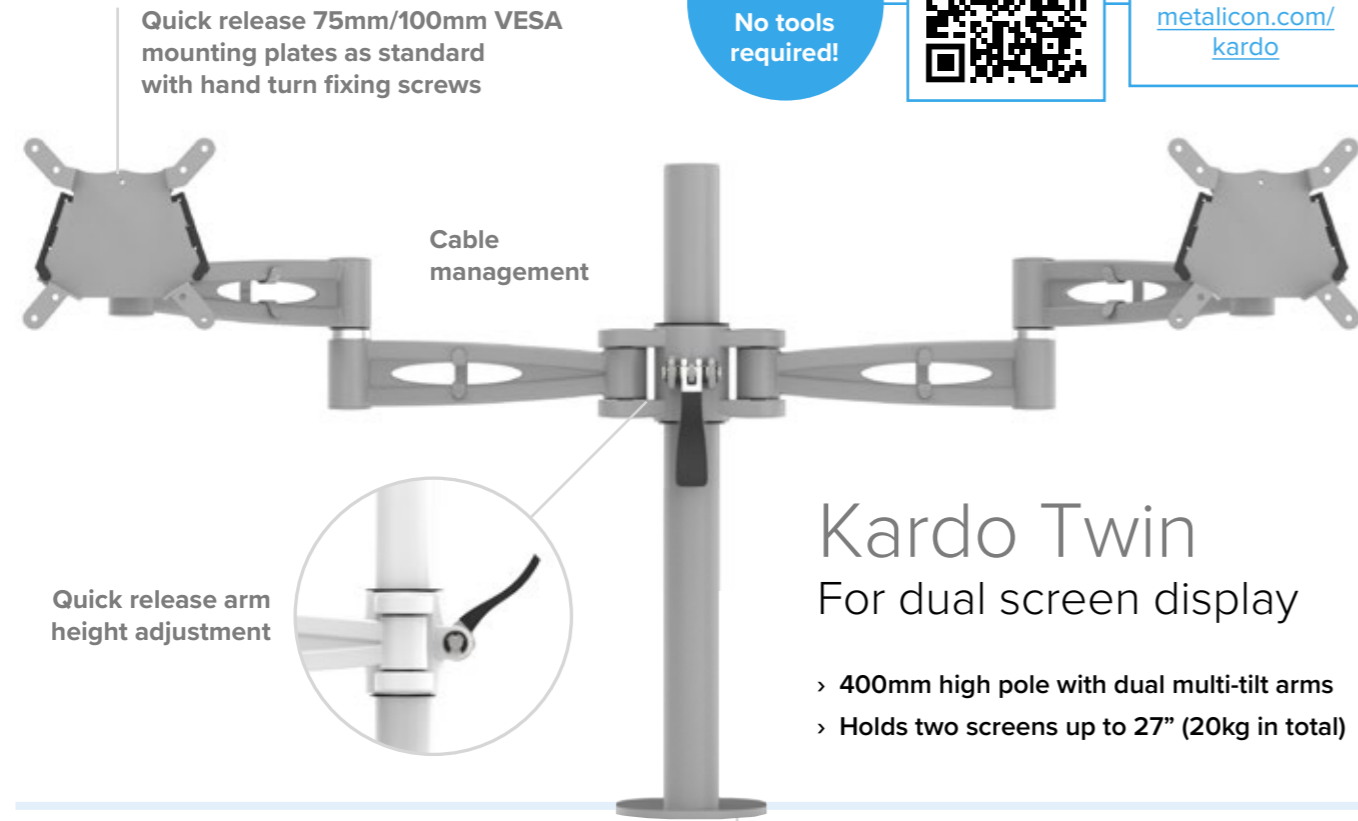


Convert to laptop holder with universal VESA attachment

MONITOR ARM	MAX. CAPACITY	ARM FINISH
Gas lift monitor arm for single screen/monitor	10kg	Black
Twin rail to convert single arm to dual screens/monitors	2 x 4kg	White
Universal laptop holder attachment	10kg	Silver

Kardo

Pole-mounted monitor arms



Quick release 75mm/100mm VESA mounting plates as standard with hand turn fixing screws

EASY TO INSTALL
No tools required!



Watch the video metalicon.com/kardo

Cable management

Quick release arm height adjustment

Kardo Twin

For dual screen display

- > 400mm high pole with dual multi-tilt arms
- > Holds two screens up to 27" (20kg in total)

Includes pre-assembled clamp plus through-desk fixing option

FIRA Certified to: BS EN ISO 9241 Workplace Ergonomics PP 045 Safety and Durability



Integrated cable management keeps your workspace clear



Single person install - quick release removable VESA mounting plates slide effortlessly onto Kardo arm with fixing clips to hold screen in place



Hand-turn desk edge clamp and through-desk fixing available

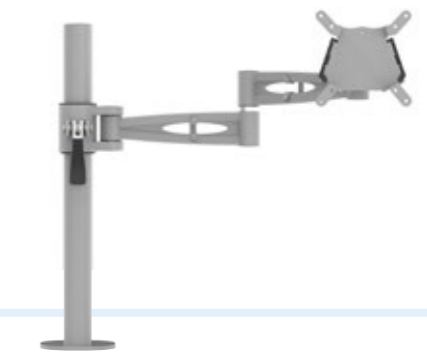
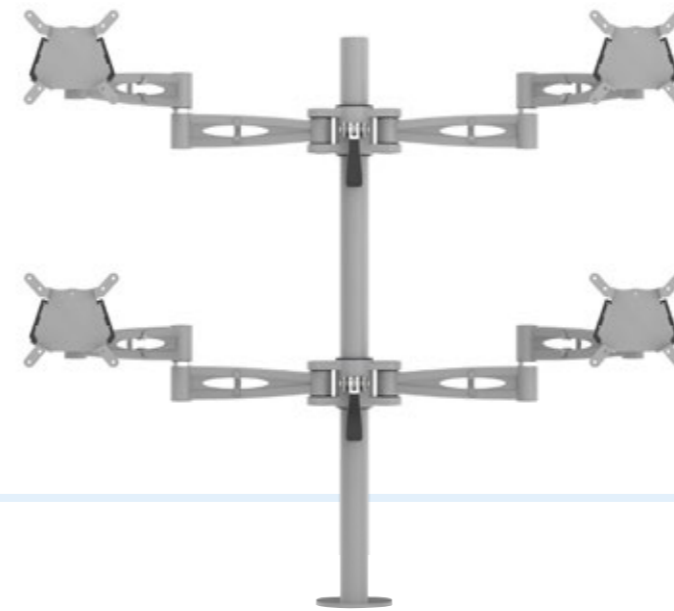


Brighten your workspace with an integrated flower holder in the pole

Kardo Single

For single screen display

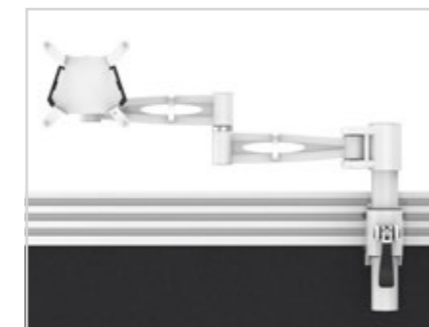
- > 400mm high pole with single multi-tilt arm
- > Holds one screen (up to 12.5kg)
- > Inverted single arm available to convert existing single arm to twin/dual



Kardo Quad

For four screen display

- > 700mm high pole with quad multi-tilt arms
- > Holds four screens up to 27" (32kg in total)



Tool rail mounted arm option for single screen display



Quick release universal laptop attachment option



Low profile mini clamp option (requires hex/allen key)

MONITOR ARMS	MAX. CAPACITY	FINISH
Pole-mounted monitor arm for single screen	12.5kg	Black
Pole-mounted monitor arm for twin screens	2 x 10kg	White
Pole-mounted monitor arm for four screens	4 x 8kg	Silver
Tool rail mounted monitor arm for single screen	6kg	
Inverted single arm only - to convert single to twin	12.5kg	
Universal laptop holder attachment	10kg	

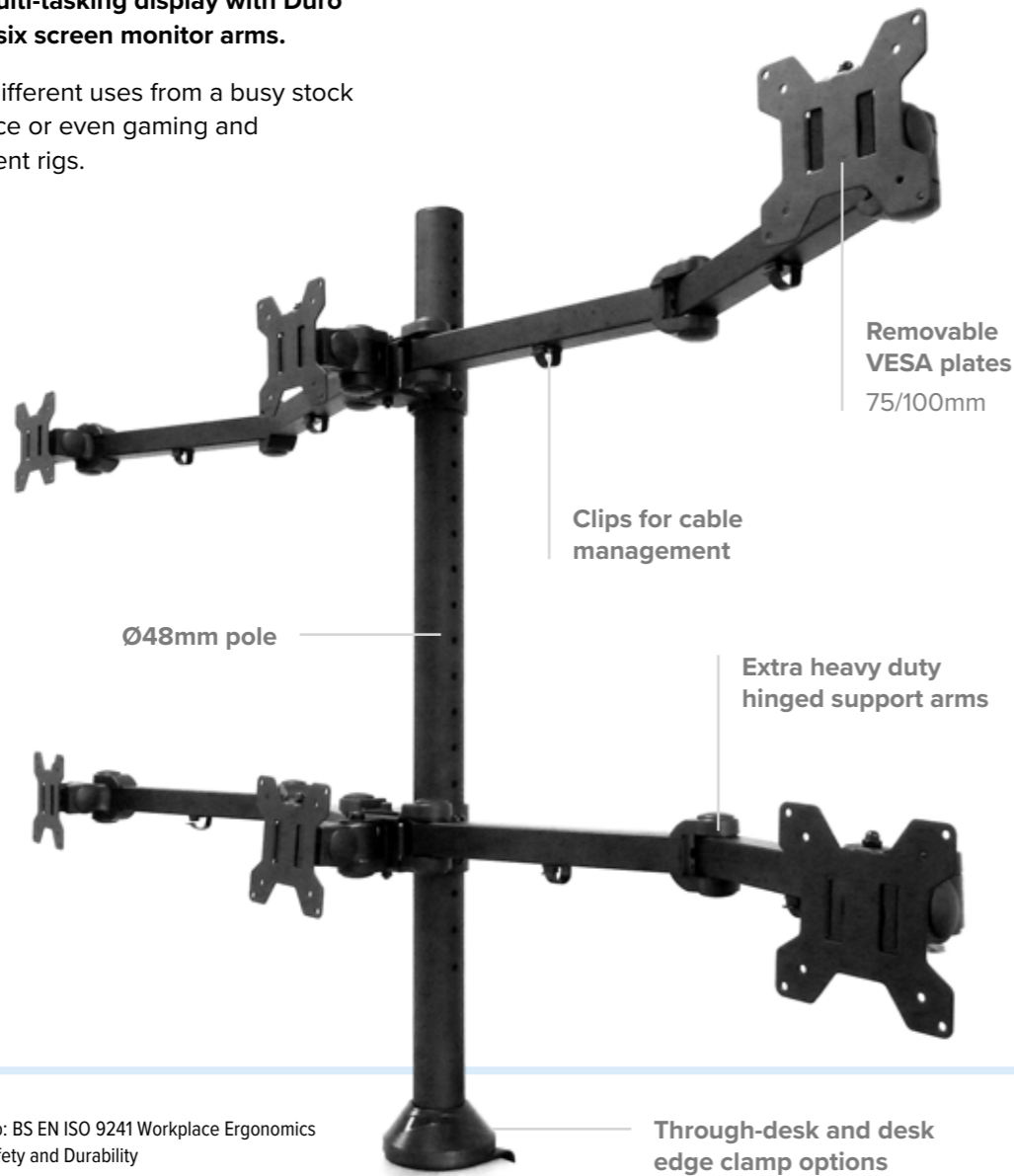
Duro

Heavy duty monitor arms

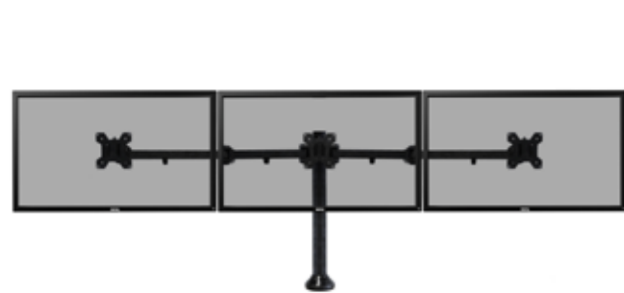
Create the ultimate multi-tasking display with Duro heavy duty three and six screen monitor arms.

Perfect for a range of different uses from a busy stock exchange to surveillance or even gaming and multimedia entertainment rigs.

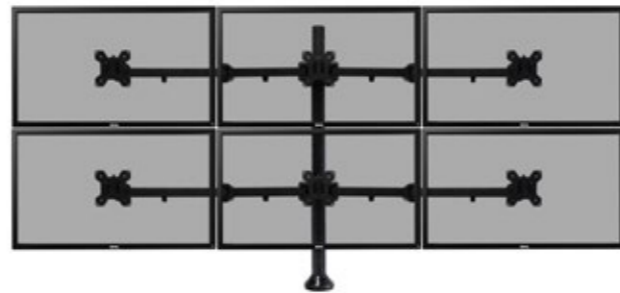
Supports up to six 10kg monitors up to 24" in screen size*



FIRA Certified to: BS EN ISO 9241 Workplace Ergonomics PP 045 Safety and Durability



Triple screen heavy duty monitor arm



Six screen heavy duty monitor arm

MONITOR ARMS	MAX. CAPACITY	FINISH
Triple screen heavy duty pole-mounted monitor arm	3 x 10kg	Black
Six screen heavy duty pole-mounted monitor arm	6 x 10kg	

* Maximum screen width 600mm

Comfort Spot

Fabric anti-fatigue mat

W640 x D460 x H30
Dark Grey

Reduces swelling of the legs and fatigue by improving circulation

Elasticated and breathable cellular structure retains heat



Comes with hanging clip, compatible with any desktop



Grip reverse keeps the mat in place

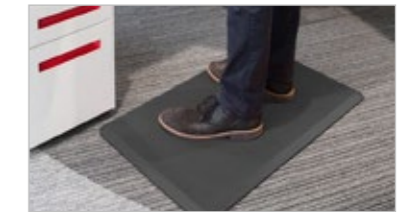


Clean with brush, vacuum or wash with water

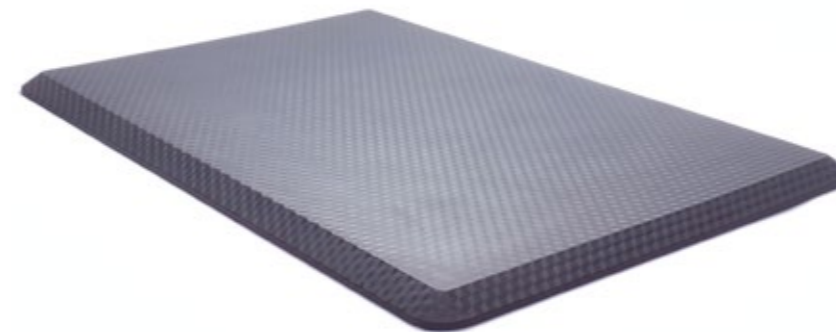
Comfort Soft

PU anti-fatigue mat

W750 x D480 x H20
Dark Grey



Reduces swelling of the legs and fatigue by improving circulation



Durable PU construction that is easy to clean



Grip reverse keeps the mat in place

Anti-fatigue mat with soft PU cushioning

Boost

The ultimate in desktop power

Beautiful, stylish and incredibly compact, Boost desktop modules provide power exactly where you need it while using minimal space on your desk.

Boost is designed to appear subtle and unobtrusive at the rear of the desktop, available in white or black.

Easy-install low profile fixing clamps included
Easily secure the Boost module to the desktop with no tools required



5 YEAR GUARANTEE

Individually fused power sockets

Neon master switch
Type G (UK) modules

Type G (UK or E (French) sockets



Extremely high quality construction with aluminium casing

Fully tested and certified to BS 5733



POWER	USB-A	USB-C	CAT6 DATA
1 x Type G + master switch	1	1	
2 x Type G + master switch			
2 x Type G + master switch	1	1	
2 x Type E	1	1	
2 x Type G + master switch	2		
2 x Type G + master switch			2
2 x Type G + master switch	1	1	2
2 x Type E	1	1	2
2 x Type G + master switch	2		2
4 x Type G + master switch	1	1	



FINISH

Black

White

Powerlink

Underdesk power module

These simple but robust power modules can be installed in cable trays or fixed to the underside of the desk using the brackets or velcro pads provided.

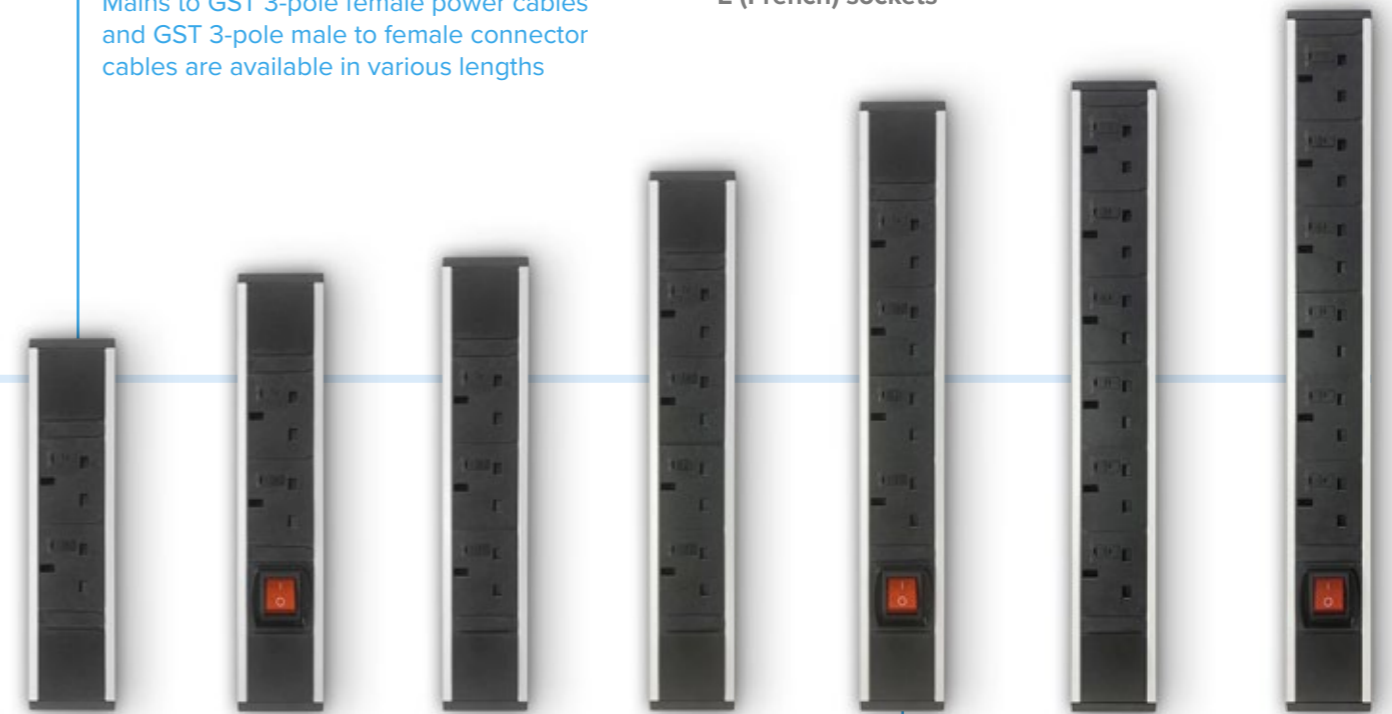
With high quality aluminium alloy casing, solid construction and sleek appearance, Powerlink offers incredible value for money.

Powerlink modules can be linked to other underdesk or desktop power modules, including Boost, using connector cables with a maximum of six power sockets in one series.

Powerlink comes as a silver alloy case with black plastic insert.

Easy to connect with Boost modules
Mains to GST 3-pole female power cables and GST 3-pole male to female connector cables are available in various lengths

Type G (UK) or E (French) sockets



Ideal for cable trays

5 YEAR GUARANTEE

FINISH

Silver case with black insert

POWER

- 2 x Type G
- 2 x Type G + master switch
- 2 x Type E
- 3 x Type G
- 3 x Type E
- 4 x Type G
- 4 x Type G + master switch
- 4 x Type E
- 6 x Type G
- 6 x Type G + master switch
- 6 x Type E



Powerlink comes with optional metal brackets and hook & loop fixings for fixing to desktop

Solo

Smart Charge power module

Simple. Convenient. Incredible value.

With a single power socket, USB-A Smart Charge socket and 2.5m hardwired mains power cable, Solo fits conveniently in a standard Ø80mm port hole and provides the perfect accessory to your desk.



5 YEAR GUARANTEE

Fully tested and certified to BS 5733 & BS 1363/A, CE marked

2.5m hardwired mains power cable

POWER	USB-A	FINISH
1 x Type G	1	Black
1 x Type E	1	White

Access

Concealed power module

Completely flush fitting power and data module, hides neatly in a desk or table.

The sleek, unobtrusive appearance is perfect for any desk or conference table. The lid lifts open at a touch to reveal power and data sockets.



POWER	USB-A	USB-C	CAT6 DATA	HDMI
2 x Type G				
2 x Type G	1	1		
2 x Type G			2	
2 x Type G	1	1	2	
2 x Type G	1	1		1
2 x Type G			2	1
2 x Type G	1	1	2	1

SURROUND FINISH	MODULE FINISH
Black	Black
White	White
Silver	Grey

POWER CABLE
2m
3m
5m

Solo Plus

Customisable power module

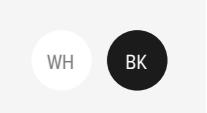
Solo Plus offers the same compact simplicity of Solo with a single UK power socket and 18W USB-A smart charge socket plus the addition of 2 x 45W USB-C smart charge sockets - all in one Ø80mm module!

Choose from HDMI or Cat6 RJ45 data transfer inserts for both sides of the module or alternatively leave them blank or empty for use as cable pass-throughs.



5 YEAR GUARANTEE

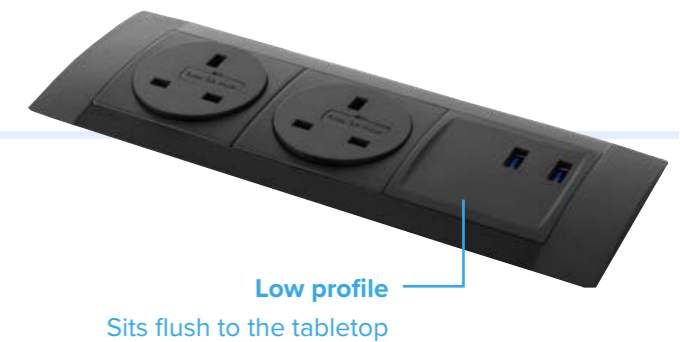
FINISH	GST 3-POLE POWER CABLE
Black	2m
White	3m
	5m



Form

Inset power module

The Form power and comms module has an extraordinarily low profile which fits flush to the tabletop and makes it suitable for panel mounting and soft furnishing. The UK power sockets can be orientated to service users on both sides.



POWER	USB-A	USB-C	CAT6 DATA	HDMI
2 x Type G				
2 x Type G	1	1		
2 x Type G			2	
2 x Type G	1	1	2	
2 x Type G	1	1		1
2 x Type G			2	1
2 x Type G	1	1	2	1

FINISH
Black
White
Grey

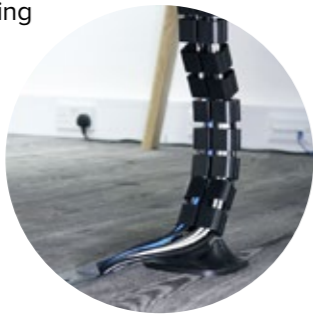
POWER CABLE
2m
3m
5m

Linx

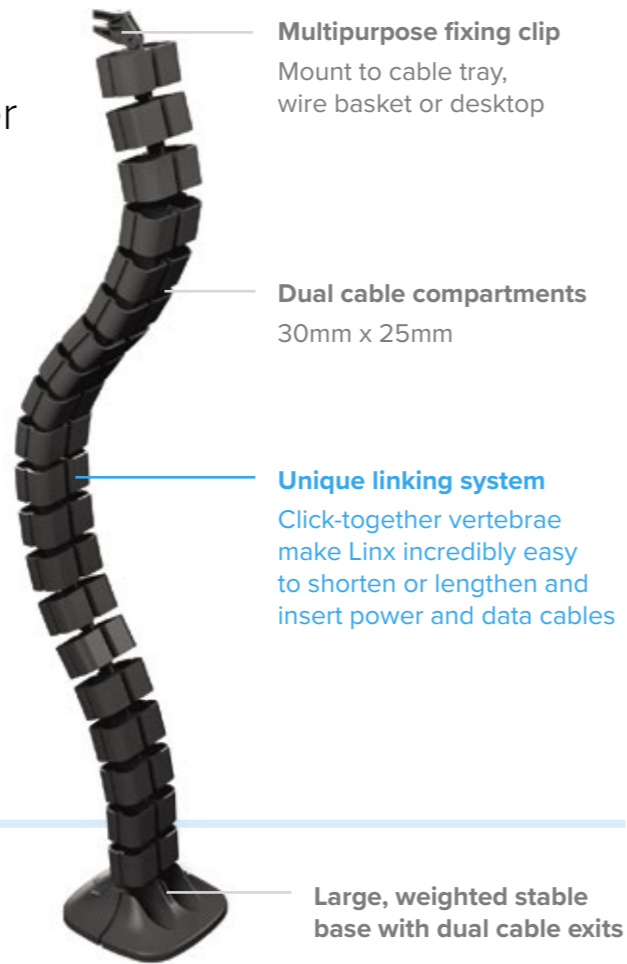
Expertly engineered cable manager

Designed with strength, flexibility and ease of installation in mind, Linx offers the latest developments in superior cable management.

The unique 'twist not pull' linking system ensures the vertebrae will never pull apart under tension, but will detach very easily when twisted sideways. This ensures that Linx never comes apart while in use, but remains incredibly easy to extend and manipulate when needed.



Choose from different lengths for fixed height or sit/stand desks or without the base for use between cable trays on sit/stand benches.



SPINE	LENGTH	FINISH
20 vertebrae + weighted base	800	Black
33 vertebrae + weighted base	1300	White
33 vertebrae, no base (for tray to tray use)	1280	Grey

Fabric Cable Sock

Zip-up vertical cable wrap

Designed for use with a standard height desk the vertical sock is a versatile cable management solution. Made from 600g polyester mesh this durable fabric sock provides ample capacity with internal velcro straps to keep cables separate.



FINISH
Black
White
Grey

WØ70 x H720-820mm



Cable Trays and baskets

Untidy power and data cables are unsightly, make cleaning difficult and can pose a safety risk. Use of a cable tray or basket underneath the desk helps to keep cables neat and tidy and the workspace clear.

Our range of simple but strong steel cable trays and baskets is designed to suit various desk sizes and arrangements.

TRAY FINISH
Black
White
Silver
Anthracite

Desktop fix

Fixed to underside of desktop



WIDTH	DEPTH	HEIGHT	DESK WIDTH
850	100	125	1200
1050	100	125	1400
1250	100	125	1600
1450	100	125	1800

Shared / bench desking

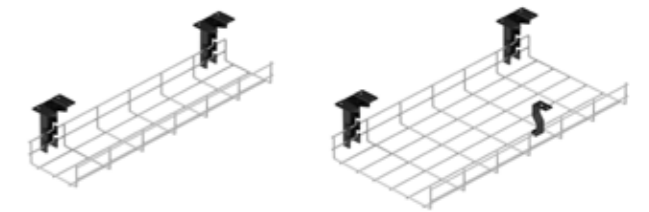
Fixed to underside of desktops



WIDTH	DEPTH	HEIGHT	DESK WIDTH
1100	110	130	1200/1400
1400	110	130	1600/1800
1100	430	130	1200/1400
1400	430	130	1600/1800

Cable baskets

Galvanised steel finish only



WIDTH	DEPTH	HEIGHT	DESK WIDTH
600	150	50	800 / 1000
1000	150	50	1200 / 1400
1400	150	50	1600 / 1800
600	300	50	800 / 1000
1000	300	50	1200 / 1400
1400	300	50	1600 / 1800

Modesty panel fix

Fixed to desk modesty panel



WIDTH	DEPTH	HEIGHT	DESK WIDTH
850	100	50	1200
1050	100	50	1400
1250	100	50	1600
1450	100	50	1800

Sliding desktop bench desking

Hooked onto bench desk frame

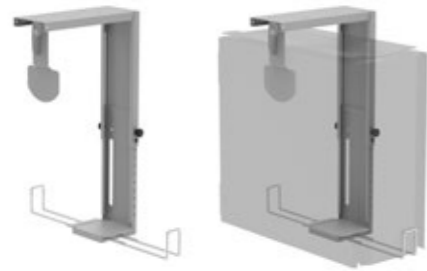
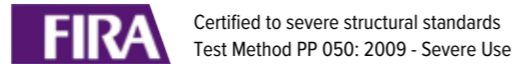


WIDTH	DEPTH	HEIGHT	DESK WIDTH
1100	430	130	1400
1400	430	130	1600

Designed to work with the Narbutas Nova sliding desk system

CPU Holders

for most form factors

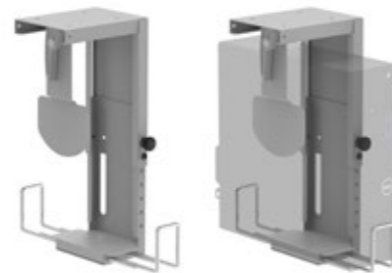


T1

- › Designed for mid tower CPUs, adjustable for other sizes
- › Spring-loaded pin to adjust height easily
- › Security bars prevent CPU falling from holder
- › Optional slide and turn kit
- › Optional desk beam clearance kit

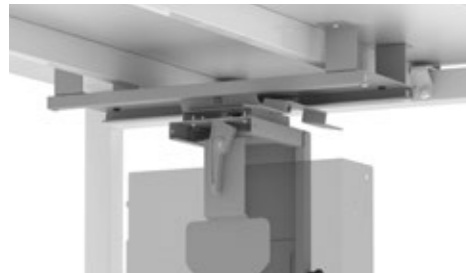
T2

- › Designed for mini tower or SFF CPUs, adjustable for other sizes
- › Spring-loaded pin to adjust height easily
- › Security bars prevent CPU falling from holder
- › Optional slide and turn kit
- › Optional desk beam clearance kit



Slide & turn kit

- › Allows easy access and repositioning of CPU
- › Locks in position to prevent unwanted movement
- › Compatible with desk beam clearance kit
- › Compatible with T1 & T2 CPU holders



T3

- › Designed for mini or mid tower CPUs, adjustable for other sizes
- › Easy adjustment with straps and side release buckles
- › Includes desk beam clearance kit
- › Optional horizontal mounting kit



S1

- › Designed for thin client, adjustable for other sizes
- › Ideal for Apple Mac Mini®
- › Adjustable security strap with side release buckle
- › Mount to desktop, side panel, monitor arm VESA or monitor arm pole
- › Compatible with Metalicon® Kardo and Duro monitor arms



CPU	FIXING / MOUNT	WIDTH CAPACITY	DEPTH CAPACITY	HEIGHT CAPACITY	FINISH
T1	Desktop / side panel	35 - 252	140 - 490	333 - 564	Black / White / Grey
T2	Desktop / side panel	35 - 110	140 - 300	213 - 360	Black / White / Grey
T3	Desktop	Max. strap circ. 1190	N/A	Min. 140	Black
S1	Desktop / side panel / VESA / pole	Max. strap circ. 700	25 - 63	N/A	Black / White / Grey

Comfort Spot

Fabric anti-fatigue mat

W640 x D460 x H30
Dark Grey

Reduces swelling of the legs and fatigue by improving circulation

Elasticated and breathable cellular structure retains heat



Grip reverse keeps the mat in place



Comes with hanging clip, compatible with any desktop

Clean with brush, vacuum or wash with water

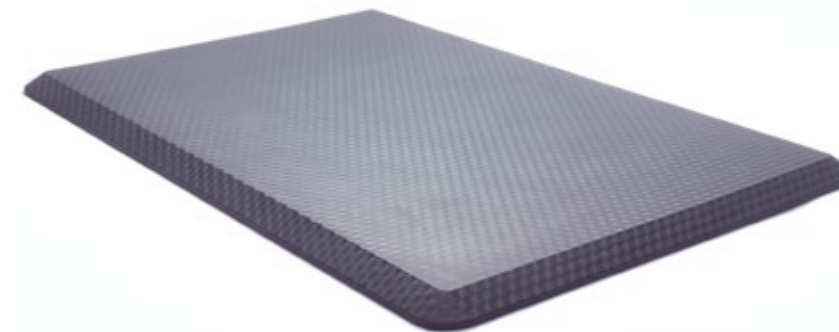
Comfort Soft

PU anti-fatigue mat

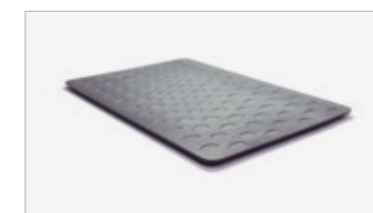
W750 x D480 x H20
Dark Grey



Reduces swelling of the legs and fatigue by improving circulation



Durable PU construction that is easy to clean



Grip reverse keeps the mat in place

Anti-fatigue mat with soft PU cushioning



Ocean Friendly Packaging®

Looking after our planet for future generations

Waste plastic is creating a global pollution problem, especially in our oceans. Nobody knows exactly how much, but recent estimates from respected scientific journals indicate some 8 million tonnes of plastic enter our oceans every year!

Since 2018 we have been focused on eliminating plastic from our product packaging. The majority of our product packaging is already made using recycled paper-based materials which can also be recycled again and our aim is to have all Metalicon® branded packaging completely plastic free by 2023.

Look out for our Ocean Friendly logo on Metalicon® branded product packaging. This indicates the packaging on this product is already completely plastic free! Thank you for supporting us in tackling this important issue.



**Our World.
In Our Hands.**

metalicon.com

47 Gee Street
Clerkenwell
EC1V 3RS

Contact our showroom
manager, Matt Fleck,
to arrange your visit:
+44 (0)20 3620 5151



Visit our refreshed showroom

Get hands on with our products plus other interiors brands
at our London showroom in the heart of Clerkenwell

formetiq®

M METALICON®

narbutas



SUPAWOOD
ARCHITECTURAL LINING SYSTEMS

Caffia
COFFEE
GROUP

ARROW
GROUP

Compass House, Waveney Drive, Lowestoft, NR33 0TP
+44 (0)1502 533 433 | sales@arrowgroup.com
arrowgroup.com

