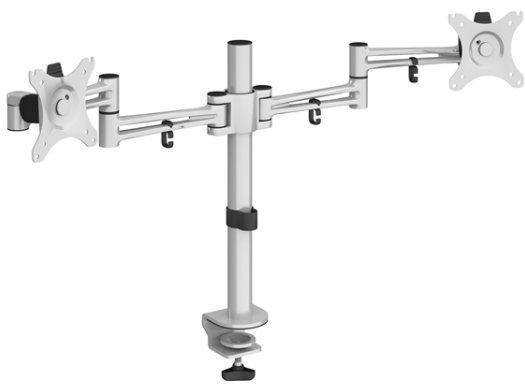


gentoo

PRODUCT DATA SHEET

Luna double flat screen monitor arm - silver



LDMARM-S

Luna monitor arms are designed to enhance maximum flexibility of the office environment, ensuring user comfort when using the screen. The well-being of employees in the office space is becoming more vital, and the number one cause of lower neck pain is due to incorrect monitor positions, allowing users to work in a more comfortable position. The Luna range of single and double monitor arms are affordable for any budget, but with no compromise on important features.



PRODUCT FEATURES

- Supplied complete with both desk clamp fit and cable port fittings
- One touch height adjustment with a quick release, removable VESA mounting plate
- Quick and easy installation allowing for more working area on desks
- Additional horizontal and vertical height adjustability
- Available in black, silver and white
- Weight capacity up to 10kg on each arm for monitors 17"-30"

DIMENSIONS & SPECIFICATIONS

RRP: £141.00

Bar Code: 5019904059705

Conforms to:

Colour: Silver

Warranty: 1 year

Pack Quantity: 1

Weight (Kg): 18.00