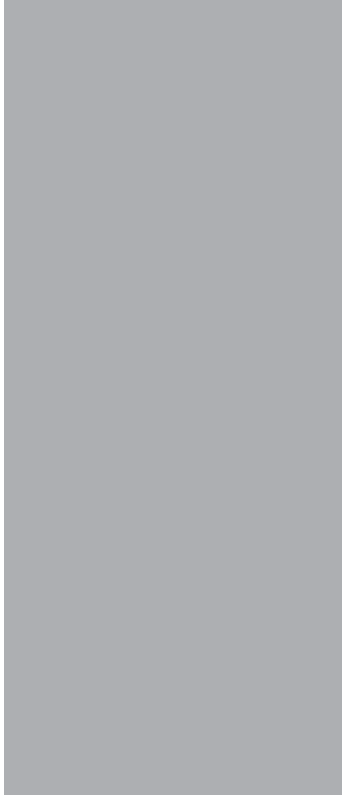




MADE IN THE UK



SEATING  
**HATTON**

# Hatton Chairs

## Elegant, streamlined simplicity

Hatton is the perfect multi-purpose chair. Light, stackable and easy to move around, it allows spaces to be quickly reconfigured. The distinctive silhouette incorporates comfort and durability, formed of a single piece of injection-moulded polypropylene and fibreglass blend. Hatton is a low maintenance, easy to clean seating option for indoor and outdoor spaces such as cafes, libraries and sports venues.



### Indoor Advantage™ Gold - Furniture

This product is certified to Indoor Advantage™ Gold - Furniture, making it suitable for many building rating systems, including LEED v4, BREEAM, & WELL Building.



Watch video on YouTube:  
<https://youtu.be/QPhn7IEQnvo>







Built-in UV filters, suitable for outdoor use

# PRODUCT FEATURES



Available in 8 colours

Stackable to 8 on floor,  
18 on transport dolly



Integrated grab handle



Single piece injection moulded  
polypropylene/fibreglass blend

Built-in UV filter for outdoor use

Textured surface to prevent slippage

Waterfall seat edge

Glides fitted as standard  
to protect all floor types

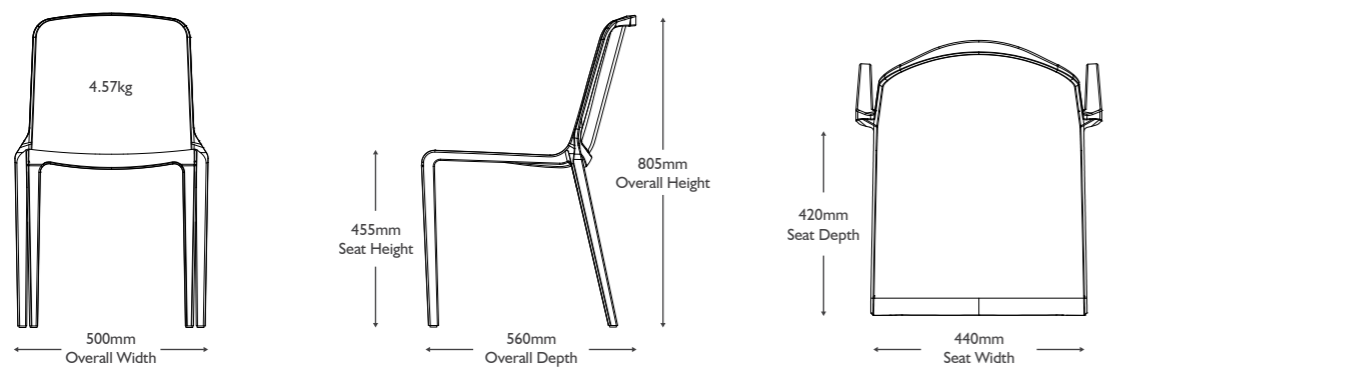
# PRODUCT SPECIFICATIONS

## Polypropylene colours

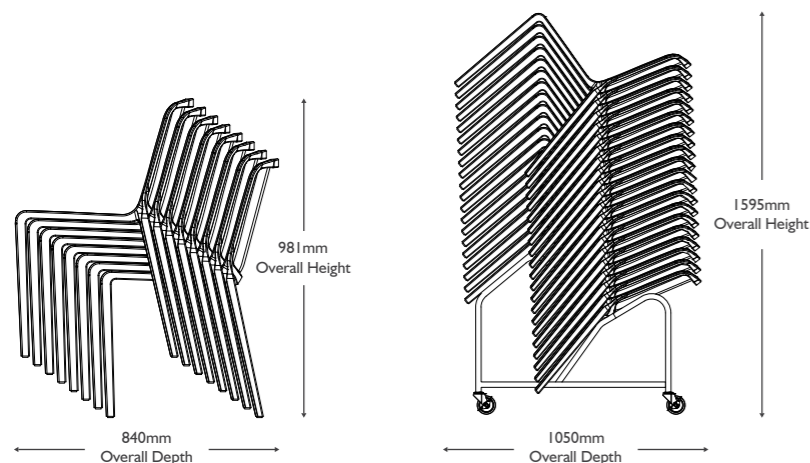


\*Iron Grey is colour-matched to Blue Grey polypropylene available on other KI seating products.  
 \*\*Custom colours available, subject to suitability and minimum order quantities. POA.

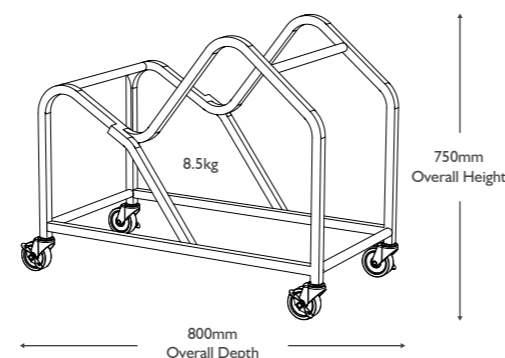
## Product Dimensions



## Dimensions (Stacked)



## Transport Dolly Dimensions



# ORDER CHECKLIST

1.	Select colour	Colour	Quantity
		Cottonwood	
		Ash Grey	
		Iron Grey	
		Flannel	
		Aqua Blue	
		Parrot Green	
		Tangerine Fizz	
		Poppy Red	
		Custom Colour	
2.	Transport dolly	Black powdercoated steel (18 chairs stack per dolly)	

### Quick Ship:

Chairs & transport dollies in stock, available for delivery within 1-2 weeks to Mainland UK locations. Please confirm with the KI team stock, lead times and custom colour requests.

## Care & Maintenance Instructions

Proper care and careful use are the best methods of maintaining the appearance and finish of any product. For normal cleaning of poly shells, use a soft cloth with mild soap or detergent and lukewarm water. Do not use solvents, citrus/orange-based cleaners, or heavy-duty kitchen cleaners. Remove chewing gum and similar stubborn spots with cigarette lighter fluid. Wipe dry immediately. A general, non-abrasive all-purpose cleaner is ideal for light cleaning and to restore lustre to smooth surfaces. Its anti-static properties help repel dust and dirt. High-quality wax restores lustre and protects the finish.

## KI (UK) Ltd Rights & Warranties

5 year warranty. For full details, please refer to our website: <https://www.kieurope.com/customer-service/legal-privacy/warranties>

## Digital Resources

The most up to date images, CAD blocks, finishes, case studies and more can be found on the KI website:

[www.kieurope.com/hatton](http://www.kieurope.com/hatton)

## Environmental Information

### Materials

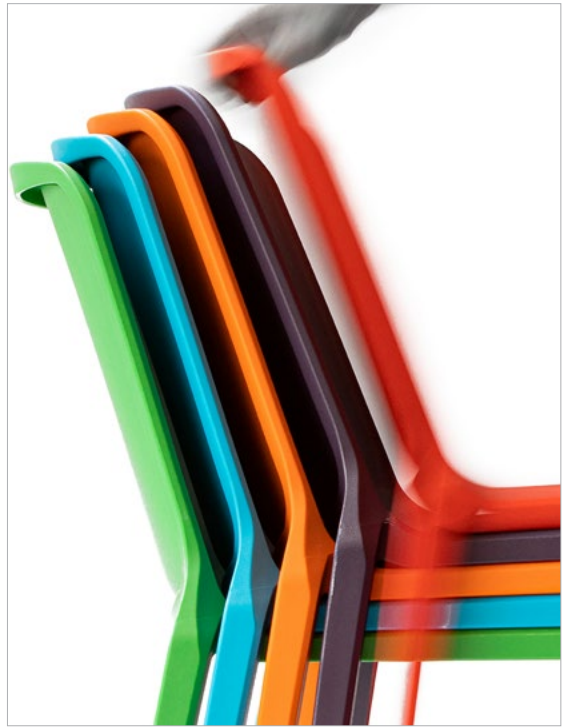
- 88% polypropylene
- 12% fibreglass

### Packaging

- 40 chairs per bespoke wooden pallet, banded and shrink wrapped
- Wooden pallets - reusable & recyclable
- Shrink wrap - recyclable
- Banding - recyclable

## Certification

- **Indoor Advantage™ Gold - Furniture**  
 This product has been independently assessed by [SCS Global Services](#) to be certified for low volatile organic compound (VOC) emissions. The Indoor Advantage™ Gold standard aligns with both ANSI/BIFMA M7.1 and X7.1, and CA01350. Suitable for projects aiming to achieve [SKA](#), [BREEAM](#), [WELL](#), [LEED v4](#) and more.
- **BS EN 16139, Level 1**  
 Furniture. Strength, durability and safety. Requirements for non-domestic seating. [Download certificate](#) | [More Info](#)



# SEATING HATTON

## About KI

KI's furniture helps the world's leading organisations create happy, healthy, high performing working and learning environments. Bringing together good design, advanced engineering and sustainable resources, KI's products are durable, flexible and offer excellent value.

Founded in 1941, KI has grown to become one of the world's largest, most respected furniture manufacturing groups. KI's EMEA headquarters and showroom in Central London is supported by an established network of manufacturing facilities and distribution partners across the UK, Europe and the Middle East.

## Visit our HQ & Showroom

KI (UK) Ltd  
New Fetter Place  
8-10 New Fetter Lane  
London, EC4A 1AZ  
Tel: +44 (0)20 7405 7082  
info@kieurope.com  
www.kieurope.com

*KI and Furnishing Knowledge are registered trademarks of Krueger International Inc*

September 2022

