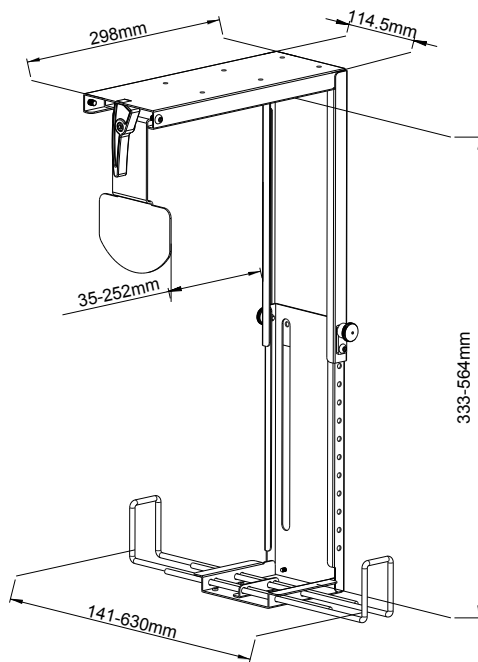


T1

Mid tower CPU holder
CHF2208



Technical specifications

Weight	2.9kg
Capacities	333 - 564 mm adjustable height 35 - 252 mm adjustable width
Materials	Powder coated steel
Warranty	5 years

Boxed specifications

Dimensions	W410 x D310 x H160 mm
Weight	3.6kg
Outer	2 units
Weight	7.5kg

Features

- Designed for mid tower CPUs
- Easy height adjustment with spring-loaded pin
- Desktop or side panel fixing
- Security bars prevent CPU falling
- Compatible with slide & turn kit (CHUST)
- Supplied almost fully assembled
- Certified to severe structural standards
FIRA Test Method PP 050: 2009 - Severe Use
- Available in black, white or silver